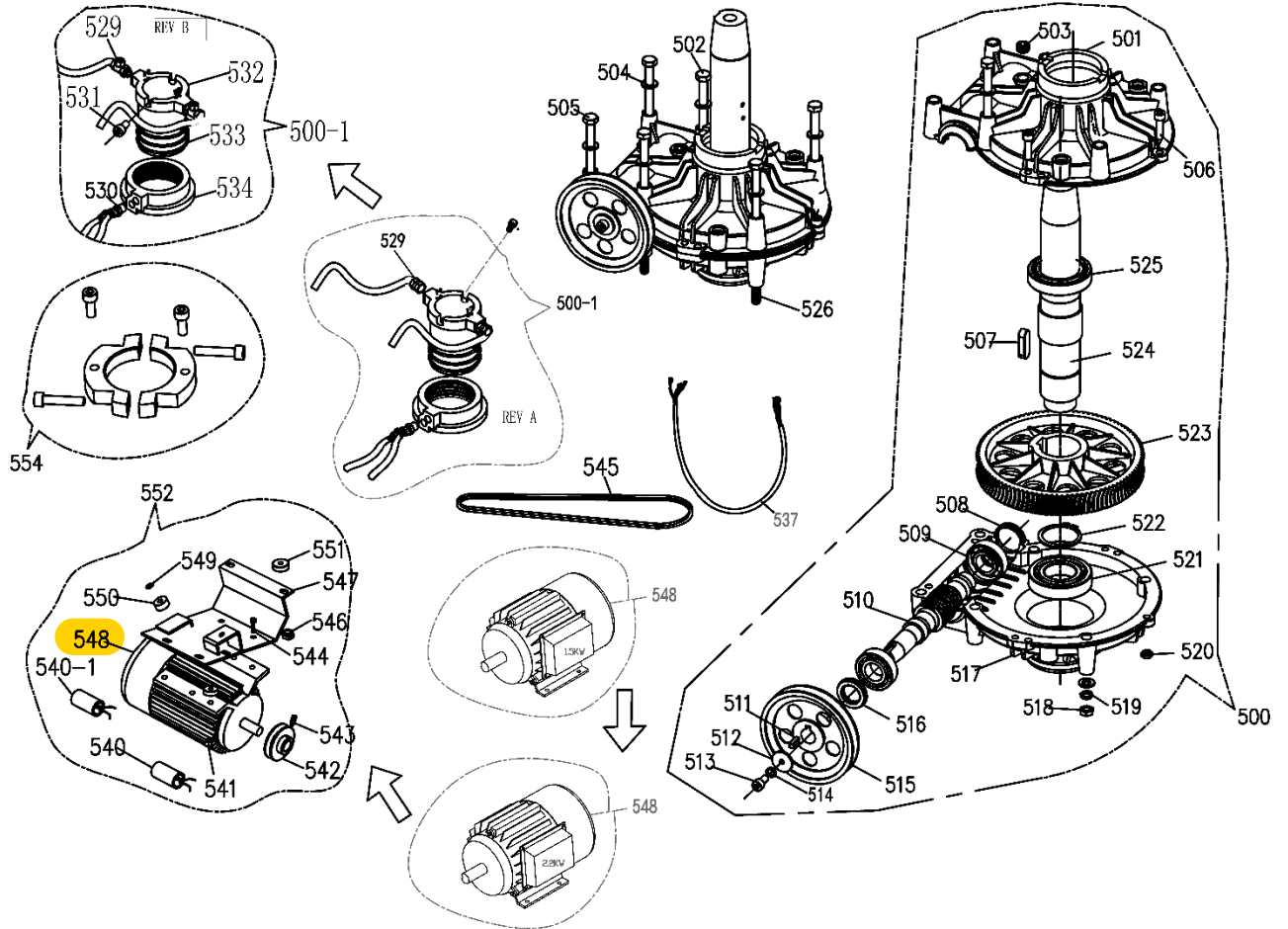


Gearing



Number	Part Number	Description
500	5327479	Gearbox assy
500	5327479	Gearbox assy
500-1	5327175	Rotary valve assy
500-1	5327175	Rotary valve assy
501		Gearbox front flange
502	5327520	Hexagon headed bolt
503		Oil plug
504		Washer ϕ 10
505		Hexagon headed bolt M10 x 180
506		Socket head cap screw M8 x 30
507		Large gear key 12 x 8 x 35
508		Oil block 45 x 8
509		Cone roller bearing 6205
510		Gear stud m2
511		Tab 6 x 6 x 20
512		Gear stud pad
513		Socket head cap screw M8 x 16
514		Washer ϕ 8
515	5327976	Gear Box Pulley
516		Oil seal ϕ 45 x 25 x 10

517		Gearbox back flange
518		Nut M10
519		Washer ϕ 10
520		Nut M8
521		Bering 80208
522		Seeger ring ϕ 50
523		Helical gear m2 (Al)
524		Spline shaft
525		Bering 6010
526		Hexagon headed bolt M10 x 170
529	5327745	Fitting G1/8" ϕ 8
529	5328350	Fitting; ϕ 8- ϕ 8-G1/8"
530	5327745	Fitting G1/8" ϕ 8
531		Inner hexangular set screw M6 x 20
532		Rotary Joint Block Inner Piece; I Models
533		O-ring ϕ 60 x 2.75
534	5327355	Rotary Joint Block Outer Piece; I Models
537		Electrical line
540	5327819	Capacitor 450 VAC 50 MF
540-1		Start capacitor
541		Locknut M8
542	5327369	Motor Pulley; I Models
543		Hexagon socket set screw with flat point M8 x 16
544		Hexagon headed bolt M8 x 40
545	5327656	V Belt
546		Nut M10
547		Motor base unit weldment
548	5327099	2HP Electric Motor; D/I Models
548	5327429	3HP Electric Motor; D/I Models
548	5327429	3HP Electric Motor; D/I Models
549		Washer ϕ 10
550	5327318	Transmission Bracket Bushing
551	5400249	Rubber washer
552		Motor with support B
552		Motor with support Y
554	5327877	Rotary valve fixed set of device configuration diagram