

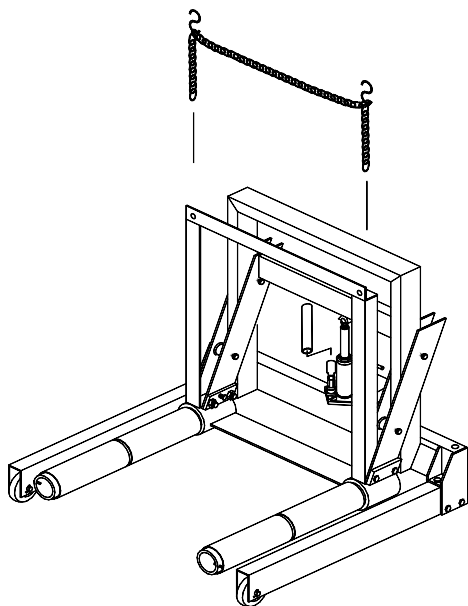
# Operating Instructions & Parts Manual



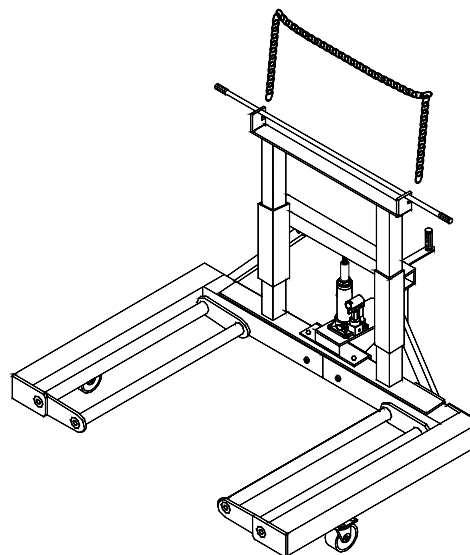
## Wheel Dolly

**Model**  
**47050C**  
**47053**

**Capacity**  
**1500 lb.**



47050C



47053



This is the safety alert symbol. It is used to alert you to potential personal injury hazards. Obey all safety messages that follow this symbol to avoid possible injury or death.

**SFA Companies**  
<http://www.omegalift.com>

Read this manual and follow all the Safety Rules and Operating Instructions before using this product.

Printed in China  
47050C-M0\_012013

## SAFETY and GENERAL INFORMATION

**Save these instructions.** For your safety, read, understand, and follow the information provided with and on this wheel dolly before using. The owner and/or operator of this equipment shall have an understanding of this equipment and safe operating procedures before attempting to use. The owner and/or operator shall be aware that use and repair of this product may require special skills and knowledge. Instructions and safety information shall be conveyed in the operator's native language before use of this product is authorized. If any doubt exists as to the safe and proper use of this wheel dolly, remove from service immediately.

**Inspect before each use.** Do not use if broken, bent, cracked, or damaged parts (including labels) are noted. Any wheel dolly that appears damaged in any way, operates abnormally or is missing parts, shall be removed from service immediately and the manufacturer notified. If you suspect that the product was subjected to a shock load (a load dropped suddenly, unexpectedly upon it), immediately discontinue use until it has been checked by a factory authorized service center (contact distributor or manufacturer for list of Authorized Service Centers). It is recommended that an annual inspection be done by qualified personnel. Labels and owner's manuals are available from manufacturer.

## PRODUCT DESCRIPTION

Hydraulic wheel dolly is designed to facilitate the removal and installation of pneumatic tires and wheel assemblies found on many trucks, buses and trailers. This is **NOT** suitable for use as a wheel and tire puller. It is designed **ONLY** for use in removing up to rated capacity tire and wheel assemblies which are **not** bound and/or seized up at the brake drum or hub assemblies. This device is designed to be used in conjunction with jacks and jack stands



**WARNING: NEVER** load this device with more than the weight of the wheel assembly to be removed! **ENSURE** that the vehicle is securely positioned and supported **by mechanical means** such as a pair of appropriately rated jack stands or cribbing and blocking.



**WARNING: NEVER** use a wheel dolly as a wheel pulling device. Before transporting wheel assembly ensure that it is free from the hub or drum assembly and that it is secured to the wheel dolly using the provided securing means. **NEVER** load this device with more than the weight of the wheel assembly to be removed!

## SPECIFICATIONS

Model	Capacity	Product Size (L X W X H)	Lifting Member Dimension	Lifting Range	Tilt Range	Weight
47050C	3/4 Ton	45-1/8" X 39-1/2" X 34-7/8"	27-1/2" X 26"	2-1/2" - 8-3/8"	-2° - 5°	193 Lbs.
47053	1500 lbs.	43-1/2" X 43" X 34-7/8"	25-7/8" X 25-1/4"	2-1/4" - 11"	-2° - 5°	151 Lbs.

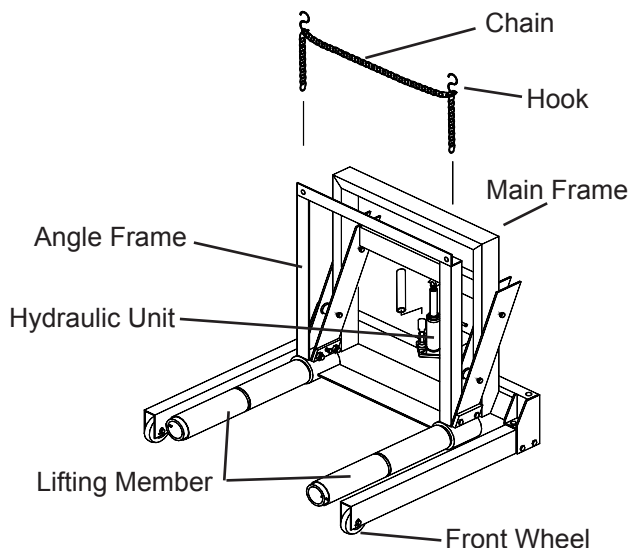


Figure 1 - 47050C Wheel Dolly Components

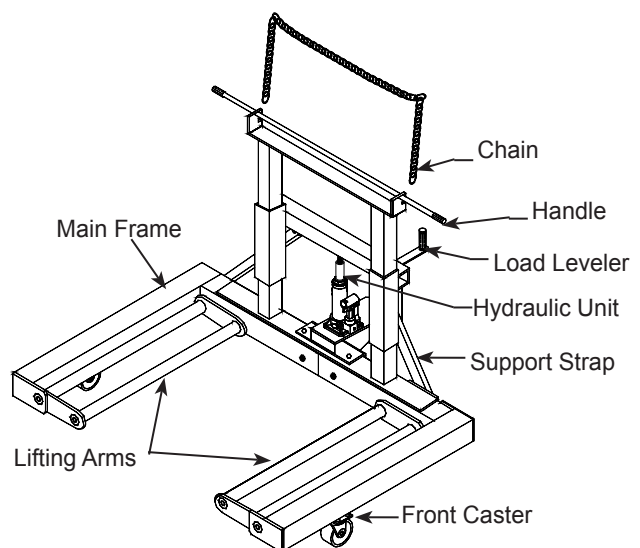


Figure 2 - 47053 Wheel Dolly Components

## PREPARATION

### 47050C Assembly (refer to Fig. 1 & 3)

1. Attach leg assemblies (ref. no. 2) to main frame (ref. no. 1) using M12x1.75x70L & M12x1.75x120L bolts, M12x1.75 nuts & M12x3t washers (ref. nos. 3, 15, 4 & 5).
2. Install caps (ref. no. 17) to cover the holes on the main frame (ref. no. 1).
3. Loosen all four of the M12x1.75x70L bolts (ref. no. 8) and tighten the M10x1.5x60L bolts (ref. no. 11) to expand the roller insert hole.

Note: Do not overtighten the bolts (ref. no. 11). Adjust bolt's tightness until it is expanded enough for accepting the roller (ref. no. 6).

4. Slide roller (ref. no. 6) into the roller insert hole on frame (ref. no. 7) until it is aligned with the edge of the hole.
5. Loosen the M10x1.5x60L bolts (ref. no. 11) and tighten all the M12x1.75x70L bolts (ref. no. 8) to secure the roller onto the frame.
6. Attach the frame (ref. no 7) to main frame (ref. no. 1) using the pin, c-clip and roller. (ref. no. 12, 13 & 14).
7. Install hydraulic unit (ref. no. 18) in between the frame and main frame (ref. no. 7 & 1).
8. Attach hooks (ref. no. 21) to chain (ref. no. 20).
9. Attach one end of hook (ref. no. 21) through angle frame hole and attach another hook to the other hole.

Size of Hardware Kits			Qty
3	bolt	M12x70	4
4	lock washer	M12	6
5	nut	M12	6
8	bolt	M12x70	4
9	lock washer	M12	4
10	nut	M12	4
11	bolt	M10x60	2
15	bolt	M12x120	4

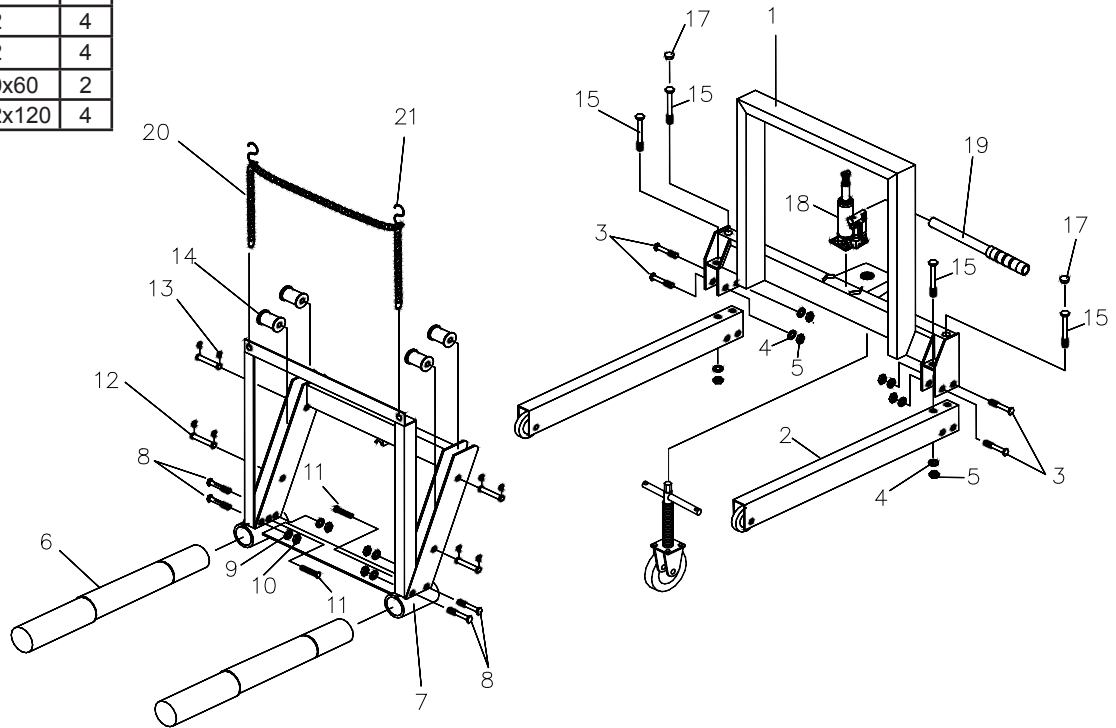


Figure 3 - Assembly Illustration for Model 47050C

## PREPARATION

### 47053 Assembly (refer to Fig. 2 & 4)

1. Attach 3 1/2" caster (1) to left and right main frame (2 & 3) with bolts & washers (4).
2. Attach 5" caster (5) to rear support (6), with bolts, washers & nuts (7).
3. Insert left main frame (2) into right main frame (3).
4. Attach upright (8) and rear support (6) into the main frame assembly (2 & 3) with two bolts & nuts (9) and four bolts, washers & nuts (10).
5. Attach support straps (11) to the mounting ears of upright and main frame with bolts, washers and nuts (12).
6. Attach hydraulic unit (13) onto the upright assembly (8).
7. Insert load leveler handle (14) to rear support (6) with pin and cotter pin (15 & 16).
8. Attach the chain (17) onto upright assembly.

Size of Hardware Kits			Qty
4	bolt	M8x16	8
	lock washer	M8	8
7	bolt	M8x16	4
	lock washer	M8	4
	nut	M8	4
9	bolt	M12x100	2
	nut	M12	2
10	bolt	M14x110	4
	washer	M14	4
	nut	M14	4
12	bolt	M8x34	4
	lock washer	M8	4
	nut	M8	4

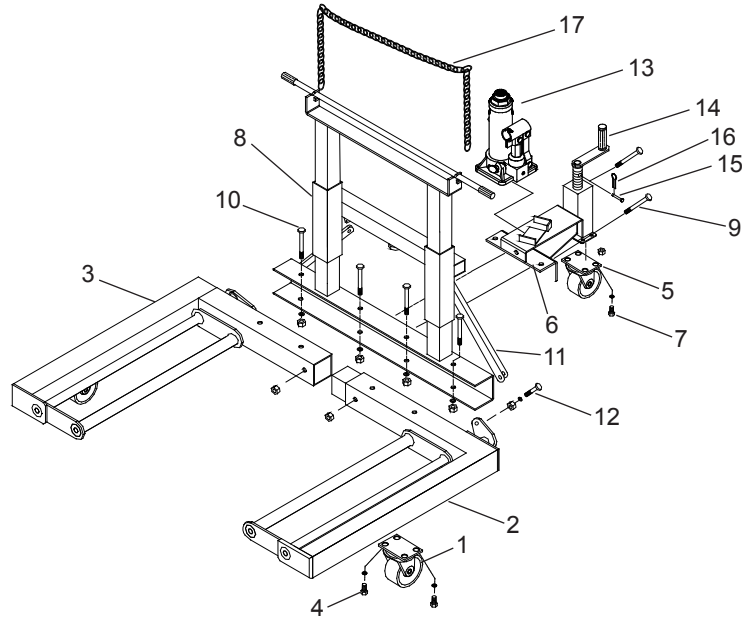


Figure 4 - Assembly Illustration for Model 47053

## BEFORE USE

1. Verify that the product and the application are compatible, if in doubt call Omega tech. service (888) 332-6419.
2. Before using this product, read the operator's manual completely and familiarize yourself thoroughly with the product, its components and recognize the potential hazards associated with its use.
3. To familiarize yourself with basic operation; position the hydraulic unit upright as shown in Fig. 1 & 2, engage the release valve with the slotted portion of the provided handle, then turn the release valve:
  - a. *Clockwise* until firm resistance is felt to further turning. This is the 'CLOSED' release valve position used to raise the load.
  - b. *Counter-clockwise*, but no more than 1 turn from the closed position. This is the 'OPEN' release valve position used to lower the load.
4. With power unit fully lowered and release valve closed, pump the operating handle. If power unit responds immediately, dolly is ready for use. If power unit does not respond, follow the **Bleeding/Venting instructions**.
5. Place the hydraulic unit to the wheel dolly as shown in Fig. 1 & 2. Position the hydraulic unit such that the saddle mates with the provided indentation.
6. Check to ensure that wheel dolly rolls freely, that the pump and release valve operate smoothly. Raise and lower the unloaded wheel dolly throughout the lifting range before putting into service. Replace worn or damaged parts and assemblies with Factory Authorized Replacement Parts only.

### Bleeding / Venting Trapped Air

With the release valve in the OPEN position (3b.) and with saddle fully lowered, locate and remove the oil filler plug. Pump 6 to 8 full strokes. This will help release any pressurized air which may be trapped within the reservoir. Reinstall the oil filler plug.



## WARNING



### To avoid crushing and related injuries and or property damage:

- **Read, understand and follow** all printed materials provided with and on this wheel dolly
- Do Not exceed rated capacity.
- **Before** positioning wheel dolly, **ensure** that the vehicle is securely positioned and supported by mechanical means such as a pair of appropriately rated jack stands or cribbing and blocking.
- Use only on smooth, hard and level surfaces capable of sustaining the load.
- **Chock** each unlifted wheel assembly in both directions.
- **Be alert** and **sober** when using this product! **Never** operate this equipment when under the influence of drugs or alcohol.
- Before moving, lower the load to the lowest possible point and assure that the load is centered and secured with a load restraint device.
- Only attachments and/or adapters supplied by the manufacturer shall be used.
- No alterations shall be made to this product.
- Never use hydraulic unit (jack) as a stand alone device.
- Apply load as close to the vertical position of the lifting member as possible.

## OPERATION

### Vehicle Preparation

1. Locate vehicle'd) on a hard, level surface, such as reinforced concrete, large enough to accommodate vehicle, jacks, jack stands, and wheel dolly.
2. Set the emergency brake unless the rear drum, tire and wheel are all to be removed as an assembly.
3. Chock all unlifted tires in both directions AND take every precaution necessary to ensure the set up is stable and will prevent all inadvertent vehicle movement.

### Raising The Lifting Arms

1. Close release valve by turning it with slotted portion of handle clockwise until firm resistance is felt to further thread engagement.



**WARNING:** Follow the vehicle manufacturers recommended removal and installation procedures for tire, wheel, hub, or axle assemblies as needed! **DO NOT** remove more than is recommended by the vehicle manufacturer!

2. After the tire, wheel assembly has been loosened from the hub or axle and is ready to be removed, position the dolly under the assembly to be removed. Pump until load reaches desired height. Adjust lift arm tilt such that the tire, wheel assembly will nest securely between the lift arms without falling forward (toward the front wheels).

### Loading the Wheel Dolly



**WARNING: NEVER** load this device with more than the weight of the wheel assembly to be removed! **ENSURE** that the vehicle is securely positioned and supported by **mechanical means** such as a pair of appropriately rated jack stands or cribbing and blocking.



**WARNING: NEVER** use a wheel dolly as a **wheel pulling** device. Before transporting wheel assembly. Ensure that it is free from the hub or drum assembly and that it is secured to the wheel dolly using the provided restraint device.

When the weight of the loosened tire, wheel assembly is supported by the wheel dolly, Carefully roll the wheel dolly away from the drum or axle. When the assembly is clear, immediately secure the tire/wheel assembly with the provided chains.

### Lowering

Engage and slowly turn the release valve counterclockwise, but never more than 1 full turn.

### Transporting Loaded Wheel Dolly

1. Ensure that wheel assembly is secured to the wheel dolly by means of the provided chains.
2. When wheel assembly has cleared the hub or the axle, lower the lift arms to the lowest position that will still allow wheel dolly wheel and caster movement.
3. Push or pull to desired location.



**WARNING:** Follow the vehicle manufacturers recommended removal and installation procedures for tire, wheel, hub, or axle assemblies as needed!



**WARNING:** If the operating handle is worn, operates abnormally, or will not positively engage the release valve, immediately discontinue use of the jack until a replacement handle assembly can be acquired.



**WARNING:** Use **only** premium hydraulic jack oil or equivalent hydraulic jack oil. Improper fluid can cause premature failure of the jack and the potential for sudden and immediate loss of load.

## MAINTENANCE

### Adding Oil in Hydraulic Unit

1. With saddle fully lowered set jack in its upright, level position. Locate and remove oil filler plug.
2. Fill with oil even with the bottom of oil filler plug hole. Reinstall the oil filler plug.

### Changing Oil in Hydraulic Unit

For best performance and longest life, replace the complete fluid supply at least once per year.

1. Remove hydraulic unit from wheel dolly. Set hydraulic unit upright on a hard, level surface.
2. With saddle fully lowered, remove the oil filler plug.
3. Lay the jack on its side and drain the fluid into a suitable container.

**Note:** Dispose of hydraulic fluid in accordance with local regulations.

4. Fill with oil even with the bottom of oil filler plug hole. Reinstall the oil filler plug.
5. Install hydraulic unit back to the wheel dolly.
6. Perform Bleeding/Venting Trapped Air procedure.

### Lubrication

A periodic coating of light lubricating oil to wheel dolly and hydraulic unit pivot points will help to ensure that all moving parts function smoothly.

**Note:** Never apply oil to the saddle.

### Storage

Store the hydraulic unit with the pump piston, ram plunger, and saddle fully lowered and the release valve open, but never more than 1 turn. This will help prevent rust and corrosion to those critical surfaces.

### Cleaning

Periodically check the hydraulic unit pump piston and ram for signs of rust or corrosion. Clean as needed and wipe with an oily cloth.

**Note:** Never use sandpaper or abrasive material on these surfaces.

## TROUBLESHOOTING

Symptom	Possible Causes	Corrective Action
Hydraulic unit will not lift load	• Release valve not tightly closed	• Ensure release valve tightly closed
Hydraulic unit will lift, but not maintain pressure	• Release valve not tightly closed • Hydraulic unit malfunction	• Ensure release valve tightly closed • Contact Omega Tech. Service
Hydraulic unit will not lower after unloading	• Reservoir overfilled • Linkage binding	• Ensure load is removed, then drain fluid to proper level • Clean and lubricate moving parts
Poor lift performance	• Fluid level low • Air trapped in system	• Ensure proper fluid level • Refer to Bleeding/Venting instructions on Pg 4
Hydraulic unit will not lift to full extension	• Fluid level low	• Ensure proper fluid level

## REPLACEMENT PARTS

Not all components of the wheel dolly are replacement items, but are illustrated as a convenient reference of location and position in the assembly sequence. When ordering parts, please give the Model number and parts description. Call or write for current pricing: SFA Companies 10939 N. Pomona Ave. Kansas City, MO 64153, U.S.A. E-Mail: sales@omegalift.com Tel: (888) 332-6419 Fax: (816) 891-6599 Website: http://www.omegalift.com

Model: 47050C

Item	Part No.	Description	Qty
1	5402-04030-000	spring pin	2
2	4200-03004-000	chain	2
3	5304-00016-000	retaining ring 'C'	8
4	T540-02002-000	pin	4
5	T540-02001-000	roller	4
6	T590-90009-K01	caster assy.	1
7	5404-02030-000	snap pin	2
8	T540-90009-K02	rotating bar ASSY	1
9	5110-04010-000	bolt	2
10	T476-00003-000	front wheel	2
11	T540-01001-000	pin	1
12	T540-90009-K01	handle assy.	1
13	B020-10000-000	hydraulic unit	1
-	T5400S-096	Hardware Kit	-
-	47050C-M0	OIPM	-
-	47050C-L0	Label	-

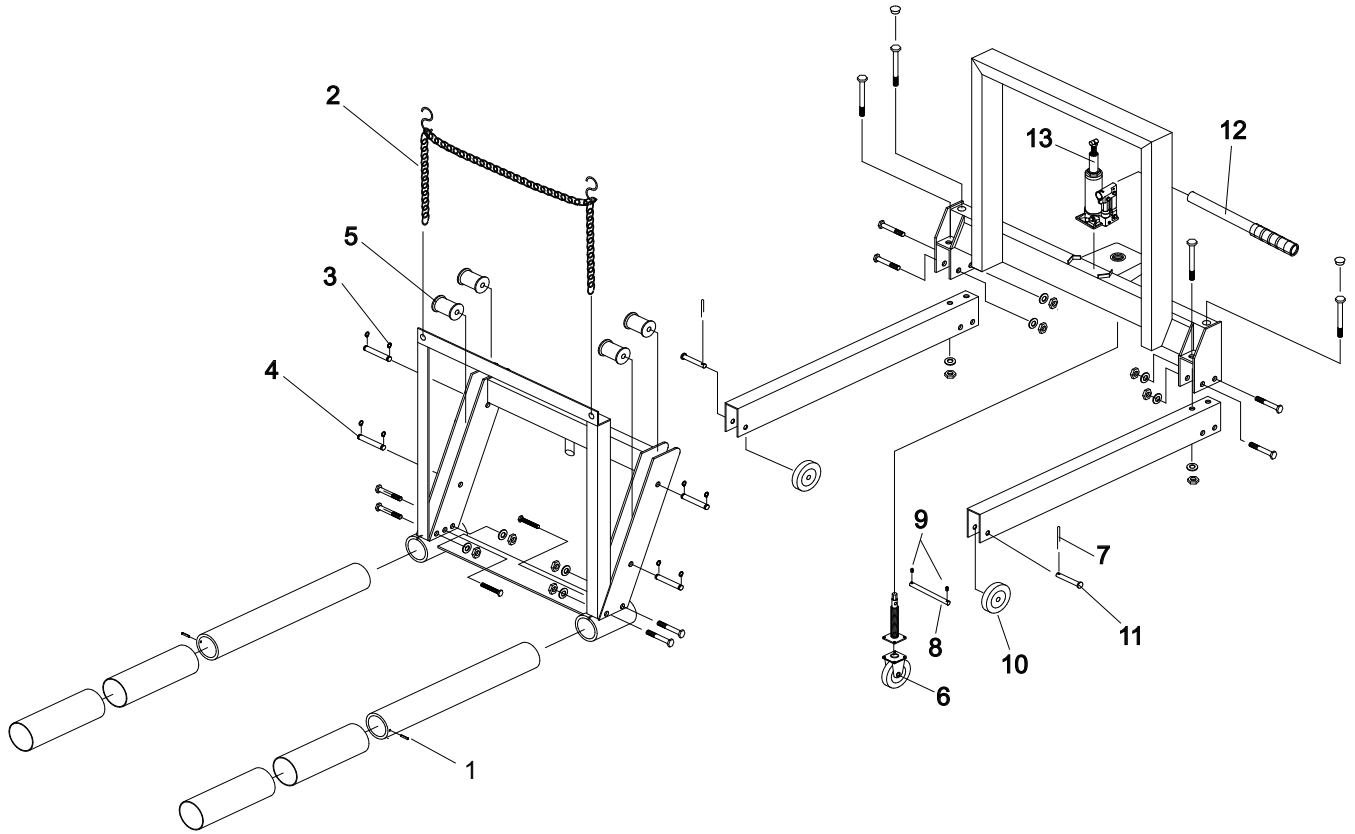


Figure 5 - Replacement Parts Illustration for Model 47050C

# REPLACEMENT PARTS

Not all components of the wheel dolly are replacement items, but are illustrated as a convenient reference of location and position in the assembly sequence. When ordering parts, please give the Model number and parts description. Call or write for current pricing: SFA Companies 10939 N. Pomona Ave. Kansas City, MO 64153, U.S.A. E-Mail: sales@omegalift.com Tel: (888) 332-6419 Fax: (816) 891-6599 Website: http://www.omegalift.com

## Model: 47053

Item	Part No.	Description	Qty
1	T474-04000-000	Front Caster, 31/2"	2
2	*	Spring Washer	16
3	*	Bolt, M8x16	12
4	T590-03000-000	L. Main Frame	1
5	*	Hex Nut M8	8
6	T590-00001-000	Lifting Strap	4
7	*	Bolt M8x34	4
8	T590-90009-K01	Rear Caster 5"	1
9	T590-04000-000	Rear Support Lifter	1
10	*	Bolt M12x100	2
11	*(5602-00035-000)	Bearing	1
12	T590-05000-000	Rear Support Frame	1
13	*(5403-06035-000)	Pin Ø6x35	1
14	T590-02000-000	Load Leveler Assy.	1

Item	Part No.	Description	Qty
15	*(5405-02018-000)	Snap pin	1
16	T590-06000-000	R. Main Frame	1
17	G933-00001-000	Handle Grip	2
18	T590-01000-000	Post Assy	1
19	T590-07000-000	Chain	1
20	*	Bolt M14x110	4
21	*	Spring Washer	4
22	*	Hex Nut M14	4
23	10045C	Hydraulic Unit, 4T	1
24	*	Hex Nut M12	2
25	F36100-0001	Oil Filler Plug	1
26	B20207-0002	Pump Handle	1
(*)	T590-09000-000	Hardware Kit	-

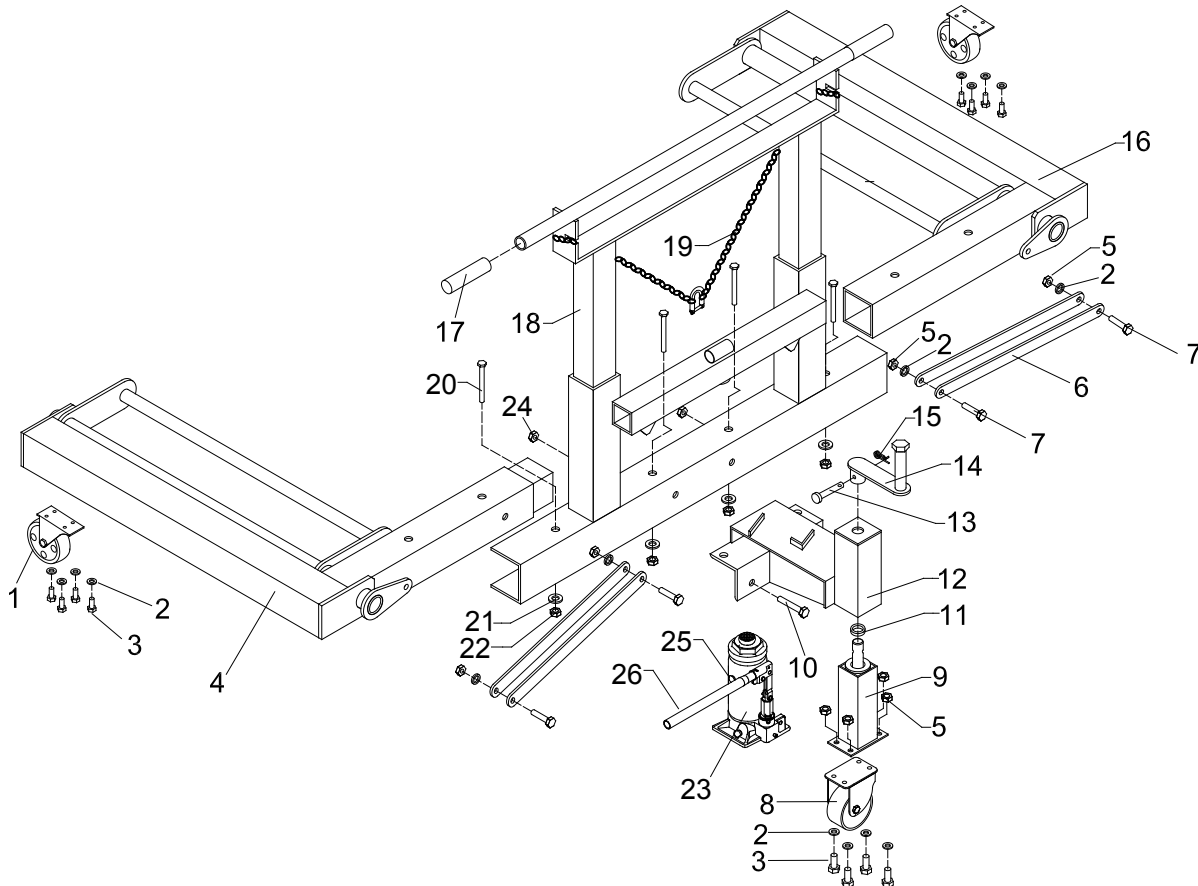


Figure 6 - Replacement Parts Illustration for Model 47053



## ONE YEAR LIMITED WARRANTY

For a period of one (1) year from date of purchase, **SFA Companies** will repair or replace, at its option, without charge, any of its products which fails due to a defect in material or workmanship under normal usage. This limited warranty is a consumer's exclusive remedy.

Performance of any obligation under this warranty may be obtained by returning the warranted product, freight prepaid, to **SFA Companies** Warranty Service Department, 10939 N. Pomona Ave., Kansas City, MO 64153.

Except where such limitations and exclusions are specifically prohibited by applicable law, (1) THE CONSUMER'S SOLE AND EXCLUSIVE REMEDY SHALL BE THE REPAIR OR REPLACEMENT OF DEFECTIVE PRODUCTS AS DESCRIBED ABOVE. (2) **SFA Companies** SHALL NOT BE LIABLE FOR ANY CONSEQUENTIAL OR INCIDENTAL DAMAGE OR LOSS WHATSOEVER. (3) ANY IMPLIED WARRANTIES, INCLUDING WITHOUT LIMITATION THE IMPLIED WARRANTIES OF MERCHANTABILITY AND FITNESS FOR A PARTICULAR PURPOSE, SHALL BE LIMITED TO ONE YEAR, OTHERWISE THE REPAIR, REPLACEMENT OR REFUND AS PROVIDED UNDER THIS EXPRESS LIMITED WARRANTY IS THE EXCLUSIVE REMEDY OF THE CONSUMER, AND IS PROVIDED IN LIEU OF ALL OTHER WARRANTIES, EXPRESS OR IMPLIED. (4) ANY MODIFICATION, ALTERATION, ABUSE, UNAUTHORIZED SERVICE OR ORNAMENTAL DESIGN VOIDS THIS WARRANTY AND IS NOT COVERED BY THIS WARRANTY.

Some states do not allow limitations on how long an implied warranty lasts, so the above limitation may not apply to you. Some states do not allow the exclusion or limitation of incidental or consequential damages, so the above limitation or exclusion may not apply to you. This warranty gives you specific legal rights, and you may also have other rights, which vary from state to state.



SFA Companies  
10939 N. Pomona Ave. Kansas City, MO 64153  
888-332-6419  
sales@omegalift.com

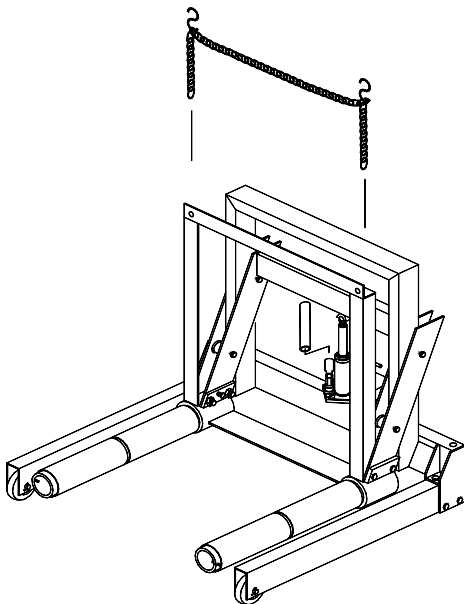
# Manuel des consignes d'utilisation et des pièces



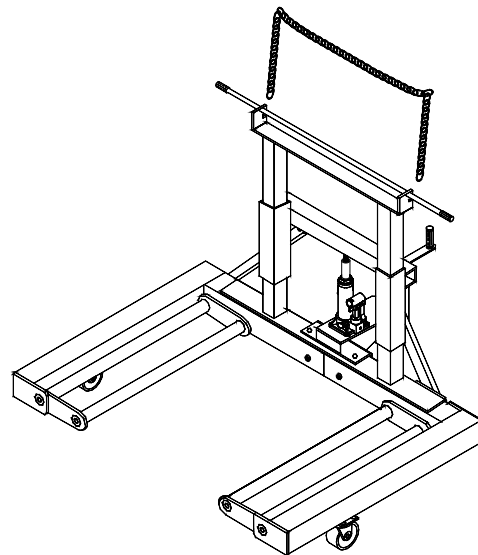
## Chariots porte-roues

Modèles  
47050C  
47053

Capacité  
680 kg (1 500 lb)



47050C



47053



Voici le symbole signalant un danger pour la sécurité. Il est utilisé pour vous alerter des dangers potentiels de blessures. Respectez tous les messages de sécurité qui suivent ce symbole afin d'éviter les blessures et la mort.

**SFA Companies**

<http://www.omegalift.com>

Lisez ce manuel et observez toutes les consignes de sécurité et d'utilisation avant d'utiliser ce produit.

Imprimé en Chine  
47050C-M0\_012013

## INFORMATIONS GÉNÉRALES et INFORMATIONS RELATIVES À LA SÉCURITÉ

**Conservez ces instructions.** Pour votre sécurité, lisez, comprenez et respectez toutes les consignes fournies avec ce produit ou se trouvant sur celui-ci avant de l'utiliser. Le propriétaire, ainsi que l'utilisateur, doit comprendre le fonctionnement de ce produit et les consignes de sécurité associées à son utilisation avant de s'en servir. Ces personnes doivent aussi savoir que, pour utiliser ou réparer ce produit, il peut être nécessaire d'avoir des connaissances ou des habiletés spéciales. Avant que l'utilisation de ce produit ne soit autorisée, il faut faire connaître à l'opérateur, dans sa langue maternelle, les instructions et les informations relatives à la sécurité. S'il y a des doutes quant à la façon adéquate et sécuritaire de se servir de ce chariot porte-roues, il faut en cesser l'utilisation immédiatement.

**Inspectez avant chaque utilisation.** N'utilisez pas le produit s'il y a des pièces brisées, déformées, fissurées ou endommagées (ce qui inclut les étiquettes). Il faut immédiatement cesser l'utilisation de tout chariot qui est endommagé, fonctionne de manière anormale ou dont des pièces manquent et informer le fabricant de ce fait. Si l'on pense que ce produit a été soumis à une surcharge d'impact (charge qui serait tombée accidentellement dessus), cessez immédiatement de l'utiliser et faites-le vérifier par un centre de réparation autorisé par l'usine (communiquez avec le distributeur ou le fabricant pour avoir une liste des endroits autorisés). Il est recommandé qu'un personnel qualifié inspecte l'appareil annuellement. Il est possible de se procurer d'autres étiquettes et d'autres manuels du propriétaire auprès du fabricant.

### DESCRIPTION DU PRODUIT

Ce chariot porte-roues hydraulique est conçu pour aider à enlever et à installer des ensembles de pneu et de roue de nombreux modèles de camions, autobus et remorques. Ce produit **N'EST PAS** adéquat pour enlever des ensembles de roue et de pneu en tant qu'extracteur de roue. Il est conçu SEULEMENT pour enlever des ensembles de pneu et de roue qui ont un poids égal ou inférieur à la capacité nominale et qui ne sont **pas** coincés ou grippés avec des tambours de frein ou des ensembles du moyeu. Le produit est fait pour être utilisé avec des béquilles de cric et des crics.



**MISE EN GARDE : NE SOUMETTEZ JAMAIS** cet appareil à une charge plus lourde que celle du poids de l'ensemble de pneu et de roue à enlever! **ASSUREZ-VOUS** que le véhicule est positionné et soutenu de manière sécuritaire par des moyens mécaniques tels qu'une paire de béquilles de cric à capacité nominale adéquate ou des cales et un sommier.



**MISE EN GARDE : N'UTILISEZ JAMAIS** un chariot porte-roues comme un produit pour enlever une roue. Avant de transporter l'ensemble de pneu et de roue, assurez-vous qu'il est bien séparé de l'ensemble du moyeu ou du tambour et qu'il est fixé au chariot à l'aide des moyens fournis pour le retenir. **NE SOUMETTEZ JAMAIS** cet appareil à une charge plus lourde que celle du poids de l'ensemble de pneu et de roue à enlever!

### SPÉCIFICATIONS

Modèles	Capacité	Dimensions du produit (L x l x H)	Dimensions du membre de levage	Plage de levage	Plage d'incl.	Poids
47050C	680 kg (0,75 t. amér.)	114,62 x 100,33 x 88,58 cm (45-1/8 x 39-1/2 x 34-7/8 po)	69,85 x 66,04 cm (27-1/2 x 26 po)	6,35 à 21,27 cm (2-1/2 à 8-3/8 po)	-2 à 5°	88 kg (193 lb)
47053	680 kg (1 500 lb)	110,49 x 109,22 x 88,58 cm (43-1/2 x 43 x 34-7/8 po)	65,72 x 64,14 cm (25-7/8 x 25-1/4 po)	5,72 à 27,94 cm (2-1/4 à 11 po)	-2 à 5°	69 kg (151 lb)

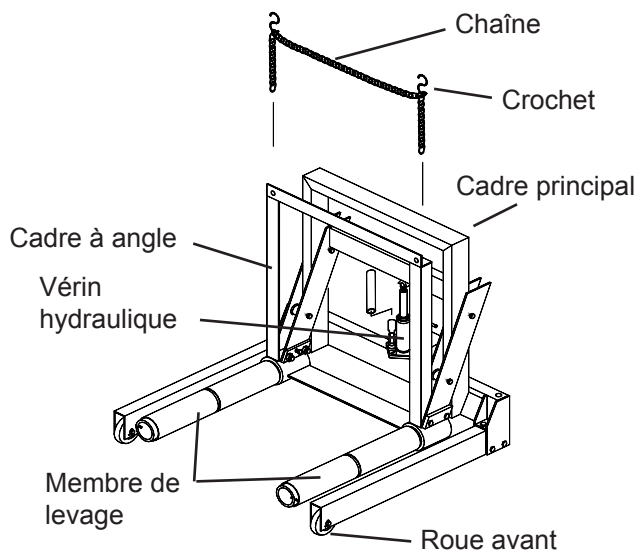


Figure 1 : Composants du chariot porte-roues 47050C

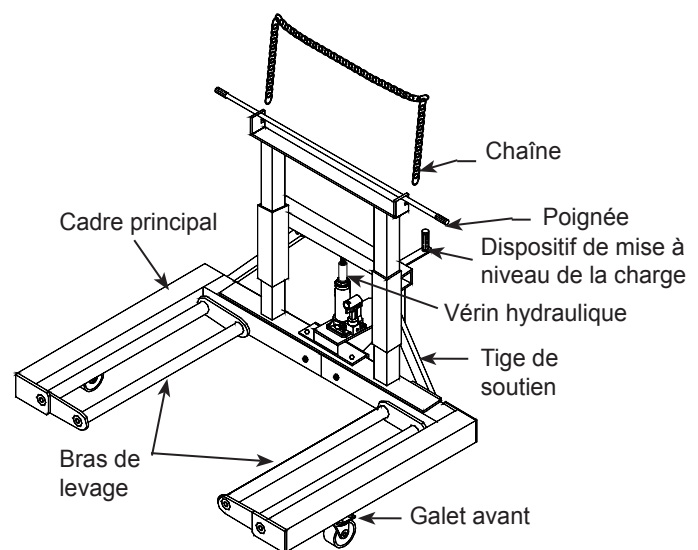


Figure 2 : Composants du chariot porte-roues 47053

## PRÉPARATION

### Assemblage 47050C (voir les figures 1 et 3)

1. Fixez les assemblages des pattes (2) au cadre principal (1) à l'aide de boulons M12 x 1,75 x 70 L et M12 x 1,75 x 120 L, d'écrous M12 x 1,75 et de rondelles M12 x 3t (3, 15, 4 et 5).
2. Installez les capuchons (17) pour couvrir les trous du cadre principal (1).
3. Desserrez les quatre boulons M12 x 1,75 x 70 L (8) et serrez les boulons M10 x 1,5 x 60 L (11) pour élargir les trous d'insertion des bras de levage.

Remarque : Ne serrez pas trop les boulons (11). Ajustez le serrage des boulons jusqu'à ce que le trou soit suffisamment large pour que les bras de levage (6) puissent être insérés.

4. Glissez les bras (6) dans leur trou d'insertion se trouvant sur le cadre à angle (7) jusqu'à ce qu'ils soient alignés sur le bord de leur trou.
5. Desserrez les boulons M10 x 1,5 x 60 L (11) et serrez tous les boulons M12 x 1,75 x 70 L (8) pour que les bras de levage soient bien retenus par le cadre.
6. Fixez le cadre à angle (7) au cadre principal (1) à l'aide de la goupille, du circlip et du rouleau (12, 13 et 14).
7. Installez le vérin (18) entre le cadre principal et le cadre à angle (7 et 1).
8. Fixez les crochets (21) à la chaîne (20).
9. Insérez l'une des extrémités de l'un des crochets (21) dans l'un des trous du cadre à angle et une extrémité de l'autre crochet dans l'autre trou.

Pièces de la trousse de quincaillerie			Qté
3	Boulon	M12 x 70	4
4	Rondelle de blocage	M12	6
5	Écrou	M12	6
8	Boulon	M12 x 70	4
9	Rondelle de blocage	M12	4
10	Écrou	M12	4
11	Boulon	M10 x 60	2
15	Boulon	M12 x 120	4

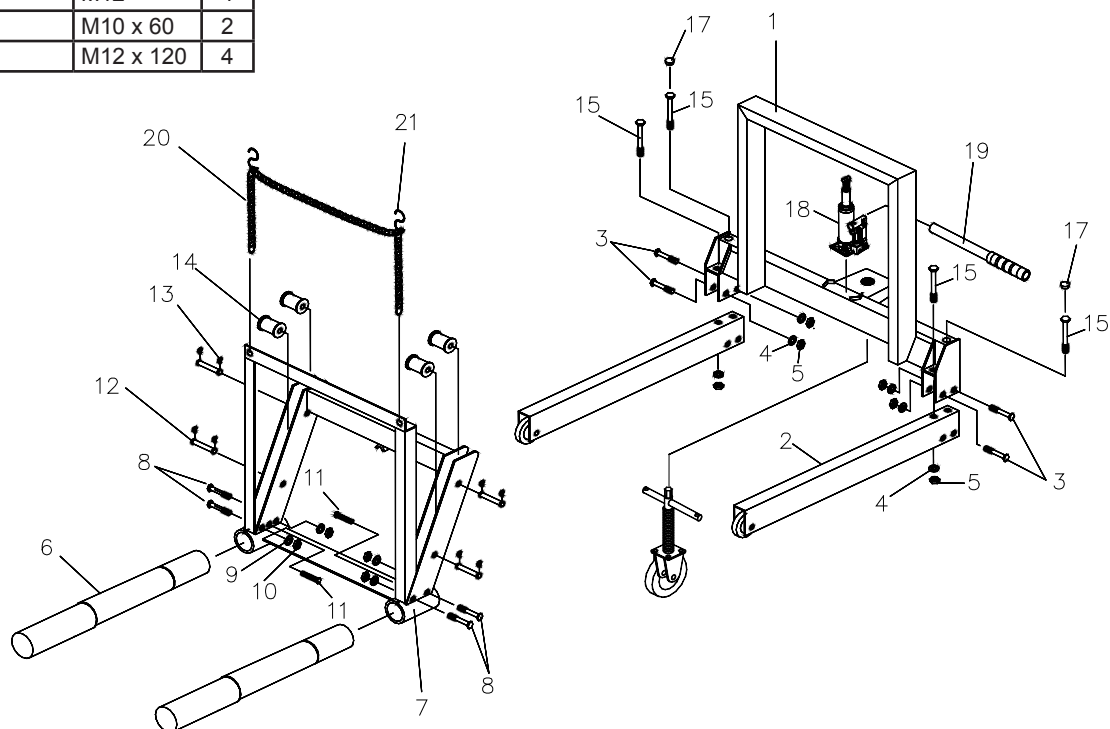


Figure 3 : Illustration d'assemblage du modèle 47050C

## PRÉPARATION (suite)

### Assemblage 47053 (voir les figures 2 et 4)

1. Fixez les galets de 3,5 po (1) au cadre principal gauche et au cadre principal droit (2 et 3) avec des boulons et des rondelles (4).
2. Fixez les galets de 5 po (5) au support arrière (6) avec des boulons, des écrous et des rondelles (7).
3. Insérez le cadre principal gauche (2) dans le cadre principal droit (3)
4. Fixez le support vertical (8) et le support arrière (6) à l'assemblage du cadre principal (2 et 3) à l'aide de deux boulons et écrous (9) et de quatre boulons, rondelles et écrous (10).
5. Fixez les tiges de soutien (11) aux oreilles de montage du cadre principal et du cadre vertical en utilisant des boulons, rondelles et écrous (12).
6. Fixez le vérin (13) à l'assemblage vertical (8).
7. Insérez la poignée du dispositif de mise à niveau de la charge (14) dans le support arrière (6) à l'aide d'une goupille et d'une goupille fendue (15 et 16).
8. Fixez la chaîne (17) à l'assemblage vertical.

Pièces de la trousse de quincaillerie			Qté
4	Boulon	M8 x 16	8
	Rondelle de blocage	M8	8
7	Boulon	M8 x 16	4
	Rondelle de blocage	M8	4
	Écrou	M8	4
9	Boulon	M12 x 100	2
	Écrou	M12	2
10	Boulon	M14 x 110	4
	Rondelle	M14	4
	Écrou	M14	4
12	Boulon	M8 x 34	4
	Rondelle de blocage	M8	4
	Écrou	M8	4

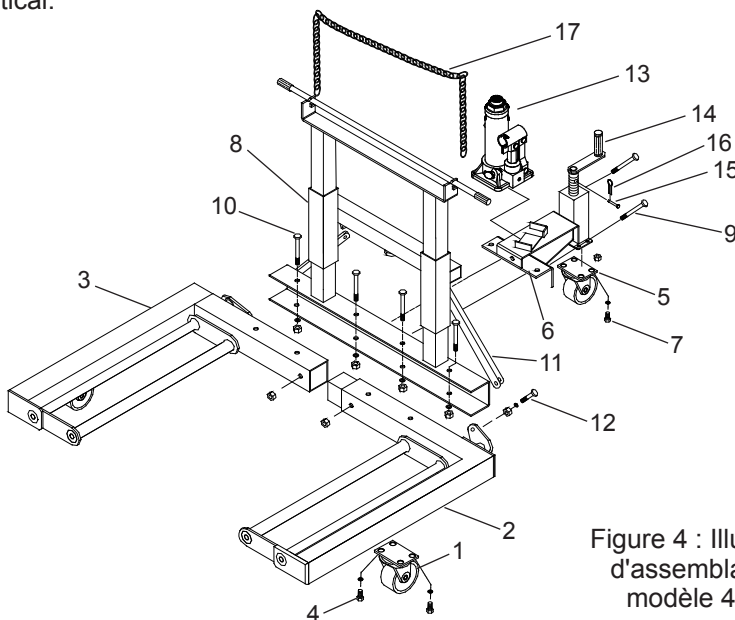


Figure 4 : Illustration d'assemblage du modèle 47053

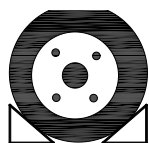
## AVANT L'UTILISATION

1. Vérifiez que le produit et son utilisation sont compatibles. Si vous avez des doutes, appelez le soutien technique pour les produits Omega au 1 888 332-6419.
2. Avant d'utiliser ce produit, lisez le manuel d'utilisation au complet et familiarisez-vous parfaitement avec le produit et ses composants, et identifiez les dangers potentiels associés à son utilisation.
3. Afin de vous familiariser avec le fonctionnement de base du produit, placez le vérin hydraulique en position verticale comme montré aux figures 1 et 2, enclenchez la soupape de surpression avec l'encoche de la poignée, puis tournez la soupape :
  - a. Dans le sens *horaire* jusqu'à ce que vous sentiez une forte résistance au mouvement. C'est la position « FERMÉE » de la soupape de surpression utilisée pour soulever la charge.
  - b. Dans le sens *antihoraire*, mais pas plus d'un tour à partir de la position fermée. C'est la position « OUVERTE » de la soupape de surpression utilisée pour abaisser la charge.
4. Lorsque le vérin est complètement abaissé et que la soupape de surpression est fermée, pesez sur le levier. Si le vérin réagit immédiatement, le chariot porte-roues peut maintenant être utilisé. Si ce n'est pas le cas, suivez les instructions de la section « **Purge de l'air emprisonné** ».
5. Mettez le vérin hydraulique sur le chariot comme montré aux figures 1 et 2. Positionnez-le de manière à ce que le point d'appui s'accouple avec la forme du point de contact.
6. Vérifiez que le chariot porte-roues se déplace librement et que le vérin et la soupape fonctionnent en douceur. Soulevez et abaissez le mécanisme de levage, sans charge, sur toute la plage de levage avant de l'utiliser. Remplacez les pièces et les assemblages usés ou endommagés seulement par des pièces de rechange autorisées.

### Purge de l'air emprisonné

Lorsque la soupape de surpression est en position OUVERTE (étape 3 b.) et que le point d'appui est à son niveau minimal, trouvez et enlevez le bouchon de remplissage d'huile. Abaissez et levez le levier complètement de six à huit fois. Cela va faciliter la libération de tout air pressurisé pouvant être emprisonné dans le réservoir. Remettez le bouchon.

## MISE EN GARDE



### Pour éviter un écrasement, les blessures en lien avec celui-ci et les dommages matériels :

- **Lisez, comprenez et suivez** toutes les consignes du fabricant se trouvant sur le chariot ou dans les documents fournis avec celui-ci.
- Ne dépassez pas la capacité nominale.
- **Avant** de positionner le chariot, **assurez-vous** que le véhicule est positionné et soutenu de manière sécuritaire par des moyens mécaniques, tels qu'une paire de béquilles de cric à capacité nominale adéquate ou des cales et un sommier.
- N'utilisez l'appareil que sur des surfaces dures, lisses et à niveau pouvant soutenir la charge.
- **Mettez des cales** à l'avant et à l'arrière des ensembles de pneu et de roue non soulevés.
- **Soyez vigilant et sobre** lorsque vous utilisez ce produit! **N'utilisez jamais** le chariot si vous avez consommé de l'alcool ou de la drogue.
- Avant de déplacer une charge, faites-la descendre au point le plus bas possible et assurez-vous qu'elle est centrée et bien retenue par un dispositif de retenue.
- Utilisez seulement les accessoires et les adaptateurs fournis par le fabricant.
- Ne modifiez pas ce produit.
- N'utilisez jamais un vérin hydraulique (cric) comme seul dispositif de soutien.
- Faites en sorte que la charge repose aussi près que possible de la partie verticale du membre de levage.

## FONCTIONNEMENT

### Préparation du véhicule

1. Placez le véhicule sur une surface qui est dure et de niveau, telle que du béton renforcé, et suffisamment grande pour le véhicule, les crics, les béquilles de cric et le chariot porte-roues.
2. Serrez le frein de stationnement à moins qu'un tambour, un pneu et une roue arrière doivent tous être enlevés en tant qu'assemblage.
3. Mettez des cales à l'avant et à l'arrière de toutes les roues non soulevées ET prenez toutes les précautions nécessaires pour s'assurer que le montage est stable et qu'il va prévenir tout mouvement du véhicule.

### Soulever les bras de levage

1. Fermez la soupape de surpression en la tournant avec l'encoche de la poignée dans le sens horaire jusqu'à ce que vous sentiez une forte résistance.



**MISE EN GARDE :** *Suivez toutes les procédures recommandées par le fabricant du véhicule pour enlever et installer des ensembles de pneu, roue, moyeu et essieu! N'enlevez PAS plus de pièces que ce qui est recommandé par le fabricant du véhicule!*

2. Une fois que l'ensemble de pneu et de roue fixé au moyeu ou à l'essieu a été desserré et qu'il est possible de l'enlever, positionnez le chariot porte-roues en dessous de l'assemblage à enlever. Abaissez et levez le levier jusqu'à ce que la charge atteigne la hauteur désirée. Ajustez l'angle du bras de levage de façon à ce que l'ensemble soit posé de manière sécuritaire sur les bras de levage sans qu'il puisse tomber vers l'avant (vers les roues avant).

### Charger le chariot porte-roues



**MISE EN GARDE :** **NE SOUMETTEZ JAMAIS** cet appareil à une charge plus lourde que celle du poids de l'ensemble de pneu et de roue à enlever! **ASSUREZ-VOUS** que le véhicule est positionné et soutenu de manière sécuritaire par des **moyens mécaniques**, tels qu'une **paire de béquilles de cric à capacité nominale adéquate ou des cales et un sommier**.



**MISE EN GARDE :** **N'UTILISEZ JAMAIS** un chariot porte-roues comme un **extracteur de roue**. Avant de déplacer une charge, assurez-vous qu'elle est bien séparée de l'ensemble du moyeu ou du tambour et qu'elle est fixée au chariot à l'aide des moyens fournis pour la retenir.

Lorsque le poids de l'ensemble desserré repose sur le chariot, éloignez ce dernier en douceur du tambour ou de l'essieu. Lorsque l'ensemble n'est plus en contact avec le tambour ou l'essieu, fixez-le avec les chaînes fournies.

### Abaisser

Enclenchez et faites tourner lentement la soupape de surpression dans le sens antihoraire, mais ne faites jamais plus d'un tour complet.

### Déplacer le chariot porte-roues avec charge

1. Assurez-vous que l'ensemble est bien fixé au chariot porte-roues à l'aide des chaînes fournies.
2. Lorsque l'ensemble de pneu et de roue n'est plus en contact avec le moyeu ou l'essieu, faites descendre les bras de levage à la position la plus basse qui n'empêche pas les roulettes et les galets de tourner.
3. Tirez ou poussez le chariot pour le mettre à l'endroit désiré.



**MISE EN GARDE :** Suivez toutes les procédures recommandées par le fabricant du véhicule pour enlever et installer des ensembles de pneu, roue, moyeu et essieu!



**MISE EN GARDE :** Si le levier est usé, fonctionne de manière anormale ou si la soupape ne s'enclenche pas, cessez immédiatement d'utiliser le produit jusqu'à ce vous ayez un assemblage de levier de remplacement.



**MISE EN GARDE :** Utilisez **seulement** de l'huile pour cric hydraulique de première qualité ou un produit équivalent. L'utilisation d'un liquide inapproprié peut entraîner une défaillance prématurée du cric et causer une chute potentielle soudaine et immédiate de charge.

## ENTRETIEN

### Ajouter de l'huile dans le vérin hydraulique

1. Lorsque le point d'appui est à son niveau minimal, mettez le cric debout et à niveau. Trouvez et enlevez le bouchon de remplissage d'huile.
2. Mettez de l'huile jusqu'au bas du trou du bouchon de remplissage d'huile. Remettez le bouchon.

### Changer l'huile du vérin hydraulique

Afin d'obtenir une performance et une durée de vie optimales, remplacez complètement l'huile au moins une fois par année.

1. Retirez le vérin du chariot. Placez le vérin hydraulique debout sur une surface dure à niveau.
2. Lorsque le point d'appui est à son niveau minimal, enlevez le bouchon.
3. Posez le cric sur le côté et purgez le liquide en l'envoyant dans un contenant adéquat.

**Remarque :** Jetez l'huile hydraulique en respectant la réglementation locale.

4. Mettez de l'huile jusqu'au bas du trou du bouchon de remplissage d'huile. Remettez le bouchon.
5. Remettez le vérin sur le chariot porte-roues.
6. Suivez la procédure de la section « Purge de l'air emprisonné ».

### Lubrification

Une lubrification périodique des points de pivotement du chariot et du vérin faite avec de l'huile légère aide à s'assurer que les pièces mobiles bougent en douceur.

**Remarque :** Ne mettez jamais d'huile sur le point d'appui.

### Rangement

Rangez-le vérin hydraulique en mettant le piston, le point d'appui et le vérin à piston plongeur à leur niveau minimal. Pour le ranger, vous devez aussi ouvrir la soupape de surpression, mais sans faire plus d'un tour. Cela aide à prévenir la rouille et la corrosion sur les surfaces importantes.

### Nettoyage

Inspectez périodiquement le piston du levier et le vérin à piston plongeur pour voir s'il y a de la rouille ou de la corrosion. Nettoyez selon les besoins et essuyez avec un linge huileux.

**Remarque :** N'utilisez jamais de papier sablé ni de matériau abrasif sur ces surfaces.

## DÉPANNAGE

Problème	Causes possibles	Mesure corrective
Unité hydraulique ne soulevant pas la charge	<ul style="list-style-type: none"> <li>• Soupape de surpression qui n'est pas bien fermée</li> </ul>	<ul style="list-style-type: none"> <li>• Assurez-vous que la soupape est bien fermée.</li> </ul>
Vérin soulevant la charge, mais qui ne maintient pas la pression	<ul style="list-style-type: none"> <li>• Soupape de surpression qui n'est pas bien fermée</li> <li>• Défaillance du vérin hydraulique</li> </ul>	<ul style="list-style-type: none"> <li>• Assurez-vous que la soupape est bien fermée.</li> <li>• Communiquez avec le soutien technique d'Omega.</li> </ul>
Vérin ne descendant pas après avoir enlevé la charge	<ul style="list-style-type: none"> <li>• Trop de liquide hydraulique dans le réservoir</li> <li>• Blocage des articulations</li> </ul>	<ul style="list-style-type: none"> <li>• Assurez-vous que la charge est enlevée, puis purgez le liquide hydraulique pour qu'il soit au bon niveau.</li> <li>• Nettoyez les pièces mobiles et lubrifiez-les.</li> </ul>
Performance de levage médiocre	<ul style="list-style-type: none"> <li>• Niveau de liquide bas</li> <li>• Air emprisonné dans le vérin</li> </ul>	<ul style="list-style-type: none"> <li>• Assurez-vous que le niveau de liquide est adéquat.</li> <li>• Suivez les instructions de la section « Purge de l'air emprisonné » à la page 13.</li> </ul>
Point d'appui ne s'élevant pas au maximum	<ul style="list-style-type: none"> <li>• Niveau de liquide bas</li> </ul>	<ul style="list-style-type: none"> <li>• Assurez-vous que le niveau de liquide est adéquat.</li> </ul>

## PIÈCES DE RECHANGE

Ce ne sont pas toutes les pièces du chariot qui peuvent être remplacées, mais elles sont illustrées pour montrer leur emplacement ainsi que leur position pour l'assemblage. Lorsque vous commandez des pièces, veuillez fournir le numéro du modèle du cric et la description de la pièce. Pour connaître les prix actuels, appelez-nous ou écrivez-nous : SFA Companies 10939 N. Pomona Ave. Kansas City, MO 64153, É.-U., Courriel : sales@omegalift.com, téléphone : 1 888 332-6419, télécopieur : 1 816 891-6599, site Web : <http://www.omegalift.com>

Modèle : 47050C

Pièce	N° de pièce	Description	Qté
1	5402-04030-000	Goupille à ressort	2
2	4200-03004-000	Chaîne	2
3	5304-00016-000	Anneau de retenue en C	8
4	T540-02002-000	Goupille	4
5	T540-02001-000	Rouleau	4
6	T590-90009-K01	Assemblage de galet	1
7	5404-02030-000	Goupille fendue	2
8	T540-90009-K02	Assemblage de barre pivotante	1
9	5110-04010-000	Boulon	2
10	T476-00003-000	Roue avant	2
11	T540-01001-000	Goupille	1
12	T540-90009-K01	Assemblage de la poignée	1
13	B020-10000-000	Vérin hydraulique	1
-	T5400S-096	Trousse de quincaillerie	-
-	47050C-M0	Manuel	-
-	47050C-L0	Étiquette	-

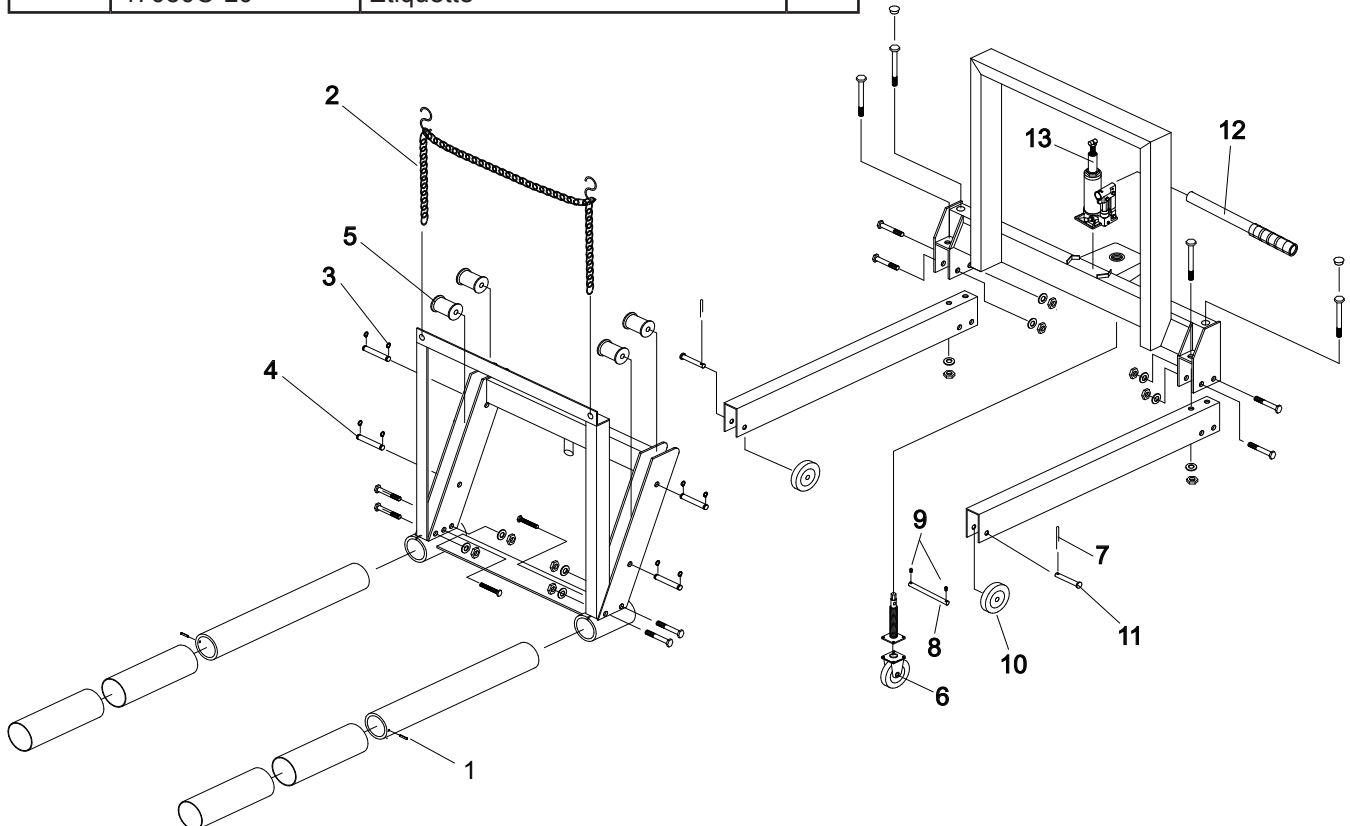


Figure 5 : Illustration des pièces de rechange du modèle 47050C



## PIÈCES DE RECHANGE

Ce ne sont pas toutes les pièces du chariot qui peuvent être remplacées, mais elles sont illustrées pour montrer leur emplacement ainsi que leur position pour l'assemblage. Lorsque vous commandez des pièces, veuillez fournir le numéro du modèle du cric et la description de la pièce. Pour connaître les prix actuels, appelez-nous ou écrivez-nous : SFA Companies 10939 N. Pomona Ave. Kansas City, MO 64153, É.-U., Courriel : sales@omegalift.com, téléphone : 1 888 332-6419, télécopieur : 1 816 891-6599, site Web : <http://www.omegalift.com>

Modèle : 47053

Pièce	N° de pièce	Description	Qté
1	T474-04000-000	Galet avant 3,5 po	2
2	*	Rondelle à ressort	16
3	*	Boulon M8 x 16	12
4	T590-03000-000	Cadre principal gauche	1
5	*	Écrou hex. M8	8
6	T590-00001-000	Tige de levage	4
7	*	Boulon M8 x 34	4
8	T590-90009-K01	Galet arrière 5 po	1
9	T590-04000-000	Unité de mise à niv. du support arrière	1
10	*	Boulon M12 x 100	2
11	*(5602-00035-000)	Palier	1
12	T590-05000-000	Cadre du support arrière	1
13	*(5403-06035-000)	Goupille Ø6 x 35	1
14	T590-02000-000	Assemblage du dispositif de mise à niveau de la charge	1
15	*(5405-02018-000)	Goupille fendue	1
16	T590-06000-000	Cadre principal droit	1

Pièce	N° de pièce	Description	Qté
17	G933-00001-000	Prise de la poignée	2
18	T590-01000-000	Assemblage de colonne	1
19	T590-07000-000	Chaîne	1
20	*	Boulon M14 x 110	4
21	*	Rondelle à ressort	4
22	*	Écrou hex. M14	4
23	10045C	Vérin hydraulique à capacité de 3 628 kg (4 t. amér.)	1
24	*	Écrou hex. M12	2
25	F36100-0001	Bouchon de rempliss. d'huile	1
26	B20207-0002	Levier	1
(*)	T590-09000-000	Trousse de quincaillerie	-

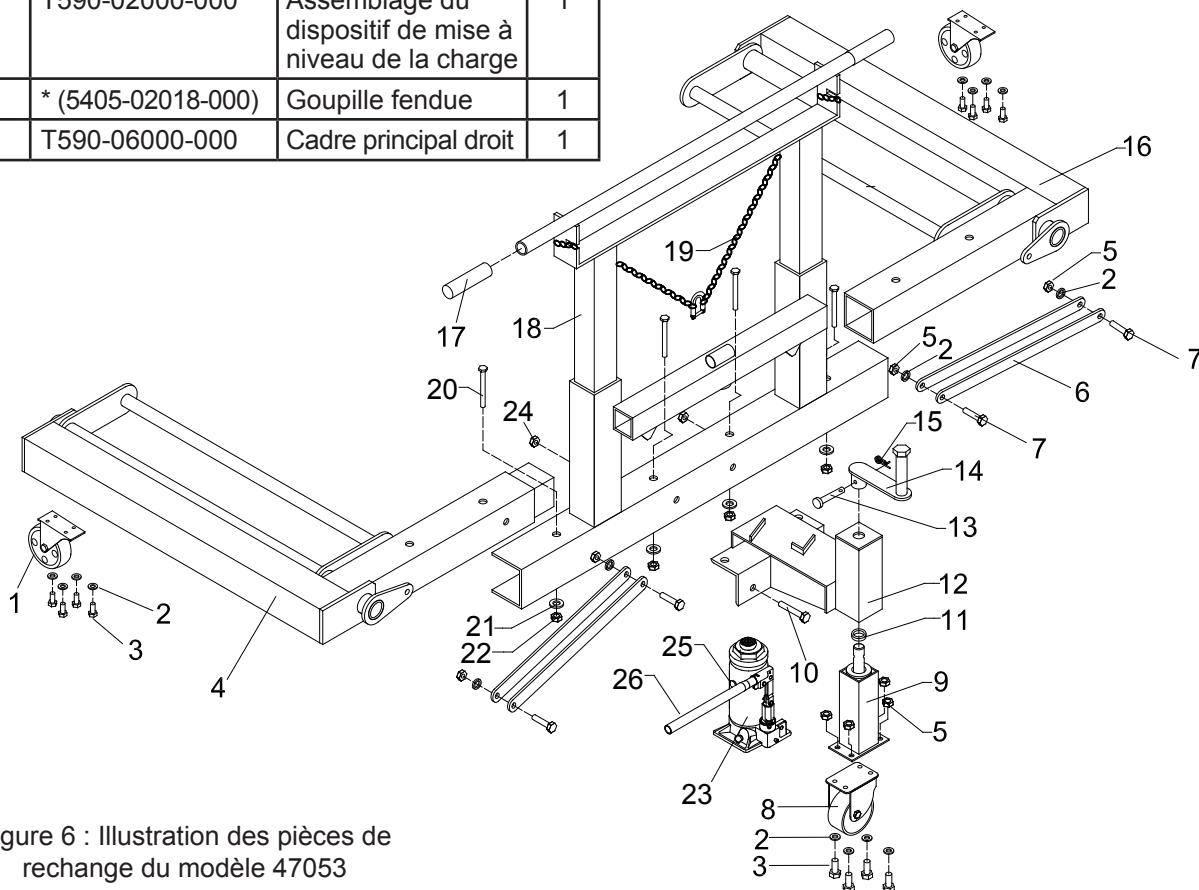


Figure 6 : Illustration des pièces de rechange du modèle 47053

## GARANTIE LIMITÉE DE 1 AN

Pendant une période d'un (1) an, à partir de la date d'achat, **SFA Companies** réparera ou remplacera, à sa discrétion, sans frais, tous ses produits qui, utilisés dans des conditions normales, sont défectueux à cause d'un défaut de matériel ou de fabrication. Cette garantie limitée est le seul recours du consommateur.

Pour bénéficier du service offert par la garantie, il faut retourner le produit couvert par celle-ci, port payé, à **SFA Companies** Warranty Service Department, 10939 N. Pomona Ave., Kansas City, MO 64153, États-Unis.

Sauf dans les cas où les limitations et les exclusions décrites dans ce paragraphe sont spécifiquement interdites par la loi : (1) LE SEUL RECOURS DU CONSOMMATEUR EST DE FAIRE RÉPARER OU REMPLACER LES PRODUITS DÉFECTUEUX COMME DÉCRIT CI-DESSUS; (2) **SFA Companies** NE SERA PAS TENUE RESPONSABLE DES DOMMAGES CONSÉCUTIFS OU INDIRECTS OU DE PERTES QUELCONQUES; (3) TOUTE GARANTIE IMPLICITE, CE QUI INCLUT SANS LIMITATION LES GARANTIES IMPLICITES DE COMMERCIALITÉ ET D'ADAPTATION À UN USAGE PARTICULIER, SERA LIMITÉE À UN AN, À DÉFAUT DE QUOI LA RÉPARATION, LE REMPLACEMENT OU LE REMBOURSEMENT, SELON CETTE GARANTIE EXPRESSE LIMITÉE, CONSTITUE LE SEUL RECOURS DU CLIENT, ET REMPLACE TOUTE AUTRE GARANTIE, IMPLICITE OU EXPRESSE; (4) TOUTE MODIFICATION, ALTÉRATION, UTILISATION ABUSIVE OU NON AUTORISÉE OU DÉCORATION ORNEMENTALE ANNULE CETTE GARANTIE ET N'EST PAS COUVERTE PAR CELLE-CI.

Certaines provinces et certains États ne permettent pas de limiter la durée d'une garantie implicite et il est donc possible que la limitation décrite ci-dessus ne s'applique pas. Certaines provinces et certains États ne permettent pas d'exclure ou de limiter les dommages consécutifs ou indirects et il est donc possible que la limitation ou l'exclusion mentionnée ci-dessus ne s'applique pas. Cette garantie vous confère des droits particuliers et il est aussi possible que vous puissiez jouir d'autres droits qui varient d'une province à l'autre et d'un État à l'autre.



SFA Companies  
10939 N. Pomona Ave., Kansas City, MO 64153, É.-U.  
1 888 332-6419  
sales@omegalift.com

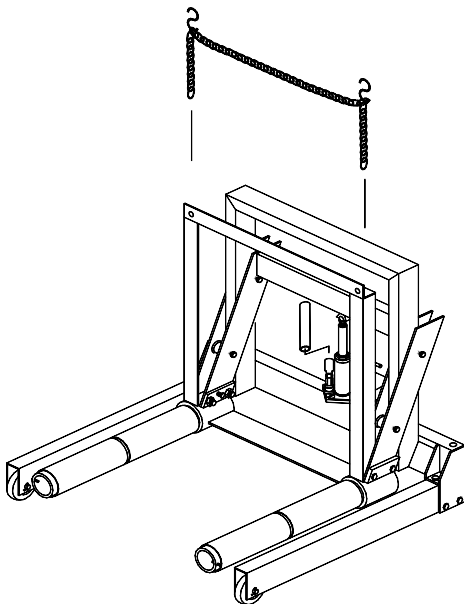
# Manual de piezas e instrucciones de funcionamiento



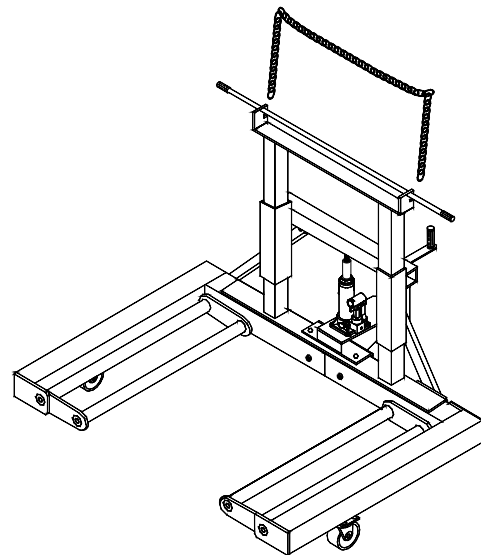
## Plataforma rodante

Modelo  
47050C  
47053

Capacidad  
1500 lb (680 kg)



47050C



47053



Este es el símbolo de alerta de seguridad. Se usa para alertar sobre peligros potenciales de lesiones personales.

Obedezca todos los mensajes de seguridad que tengan este símbolo, para evitar posibles lesiones personales o la muerte.

**SFA Companies**

<http://www.omegalift.com>

Lea este manual y respete todas las reglas de seguridad y las instrucciones de funcionamiento antes de usar este producto.

Impreso en China  
47050C-M0\_012013

## INFORMACIÓN GENERAL y DE SEGURIDAD

**Conserve estas instrucciones.** Para su seguridad, lea, comprenda y siga la información que viene con esta plataforma rodante antes de su uso. El propietario u operador de este equipo debe tener conocimientos sobre él y los procedimientos de funcionamiento seguro antes de intentar utilizarlo. El propietario u operador debe tener presente que el uso y la reparación de este producto podrían requerir habilidades y conocimientos especiales. Las instrucciones y la información de seguridad deben expresarse en la lengua materna del operador antes de recibir autorización para el uso de este producto. Si tiene dudas sobre el uso seguro y adecuado de esta plataforma rodante, proceda a sacarlo de servicio de inmediato.

**Inspeccione el producto antes de cada uso.** No lo utilice si detecta que está roto, doblado, agrietado o tiene piezas dañadas (incluidas las etiquetas). Debe sacar de servicio en forma inmediata e informar al fabricante sobre toda plataforma rodante que presente daños, de la naturaleza que fueren, funcione mal o tenga piezas faltantes. Si sospecha que el producto fue sometido a una carga de impacto (una carga arrojada repentina e inesperadamente sobre este), interrumpa su uso de inmediato hasta su revisión por parte de un centro de servicio de fábrica autorizado (comuníquese con el fabricante o el distribuidor para obtener una lista de los centros de servicio de fábrica autorizados). Se recomienda realizar una inspección anual a cargo de personal calificado. Las etiquetas y los manuales del propietario están disponibles por parte del fabricante.

## DESCRIPCIÓN DEL PRODUCTO

La plataforma rodante hidráulica está diseñada para facilitar la extracción y la instalación de neumáticos y conjuntos de ruedas que se encuentran en muchos camiones, autobuses y remolques. Esta **NO** es apta para utilizarla como un extractor de ruedas y neumáticos. Está diseñada ÚNICAMENTE para utilizarla para extraer neumáticos y conjuntos de ruedas del máximo de capacidad nominal que **no** estén atascados o atrapados en el tambor de freno o los conjuntos de cubo. Este dispositivo está diseñado para su uso junto con gatos y soportes para gato.

**⚠ ADVERTENCIA: NUNCA cargue este dispositivo con más peso del que tiene el conjunto de ruedas a extraer. ASEGÚRESE de que el vehículo esté colocado de manera segura y soportado por medios mecánicos tales como un par de soportes para gato de capacidad nominal adecuada o criba y bloqueo.**

**⚠ ADVERTENCIA: NUNCA utilice una plataforma rodante como un dispositivo para extraer neumáticos. Antes de transportar el conjunto de ruedas, asegúrese de que esté libre del conjunto cubo o tambor y que esté asegurado a la plataforma rodante con los medios de fijación proporcionados. NUNCA cargue este dispositivo con más peso del que tiene el conjunto de ruedas a extraer.**

## ESPECIFICACIONES

Modelo	Capacidad	Tamaño del producto (L X P X A)	Dimensión de la pieza levadiza	Distancia de elevación	Rango de inclin.	Peso
47050C	3/4 tonelada (1500 libras/ 680 kg)	45-1/8 x 39-1/2 x 34-7/8" (114,62 x 100,33 x 88,58 cm)	27-1/2 x 26" (69,85x 66,04 cm)	2-1/2" - 8-3/8" (6,35 - 21,27 cm)	-2° - 5°	193 lb (88 kg)
47053		43-1/2 x 43 x 34-7/8" (110,49 x 109,22 x 88,58 cm)	25-7/8 x 25-1/4" (70,80 x 64,13 cm)	2-1/4" - 11" (65,72 - 27,94 cm)	-2° - 5°	151 lb (69 kg)

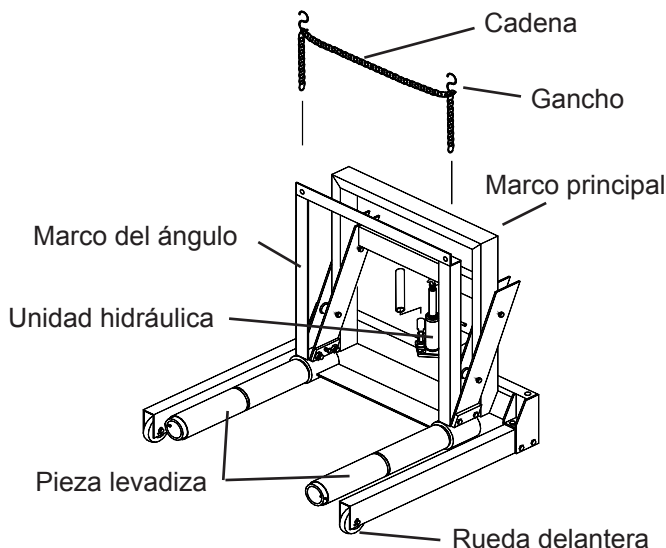


Figura 1: Componentes de la plataforma rodante 47050C

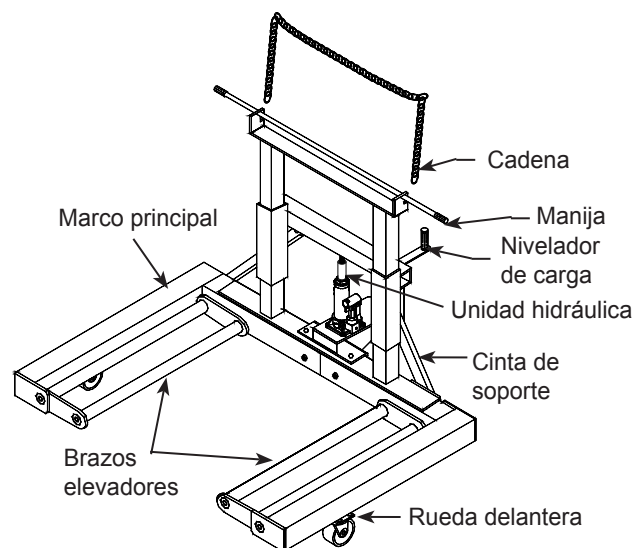


Figura 2: Componentes de la plataforma rodante 47053

## PREPARACIÓN

### Ensamblaje 47050C (consulte las Fig. 1 y 3)

1. Instale los conjuntos de patas (no. de ref. 2) al marco principal (no. de ref. 1) con pernos M12 x 1.75 x 70L y M12 x 1.75 x 120L, tuercas M12 x 1.75 y arandelas M12 x 3t (no. de ref. 3, 15, 4 y 5).
2. Instale tapas (no. de ref. 17) para cubrir los agujeros en el marco principal (no. de ref. 1).
3. Afloje los cuatro pernos M12 x 1.75 x 70L (no. de ref. 8) y ajuste los pernos M10 x 1.5 x 60L (no. de ref. 11) para expandir el agujero de inserción del rodillo.

Nota: No apriete demasiado los pernos (no. de ref. 11). Revise el ajuste de los pernos hasta que se expanda lo suficiente para aceptar el rodillo (no. de ref. 6).

4. Deslice el rodillo (no. de ref. 6) dentro del agujero de inserción del rodillo en el marco (no. de ref. 7) hasta que esté alineado con el borde del agujero.
5. Afloje los pernos M10 x 1.5 x 60L (no. de ref. 11) y ajuste todos los pernos M12 x 1.75 x 70L (no. de ref. 8) para asegurar el rodillo en el marco.
6. Fije el marco (no. de ref. 7) al marco principal (no. de ref. 1) con el pasador, el sujetador C y el rodillo. (no. de ref. 12, 13 y 14).
7. Instale la unidad hidráulica (no. de ref. 18) entre el marco y el marco principal (no. de ref. 7 y 1).
8. Fije los ganchos (no. de ref. 21) a la cadena (no. de ref. 20).
9. Fije un extremo del gancho (no. de ref. 21) a través del agujero del marco del ángulo y fije otro gancho al otro agujero.

Tamaño de los kits de accesorios			Cant.
3	perno	M12 x 70	4
4	arandela de seguridad	M12	6
5	tuerca	M12	6
8	perno	M12 x 70	4
9	arandela de seguridad	M12	4
10	tuerca	M12	4
11	perno	M10 x 60	2
15	perno	M12 x 120	4

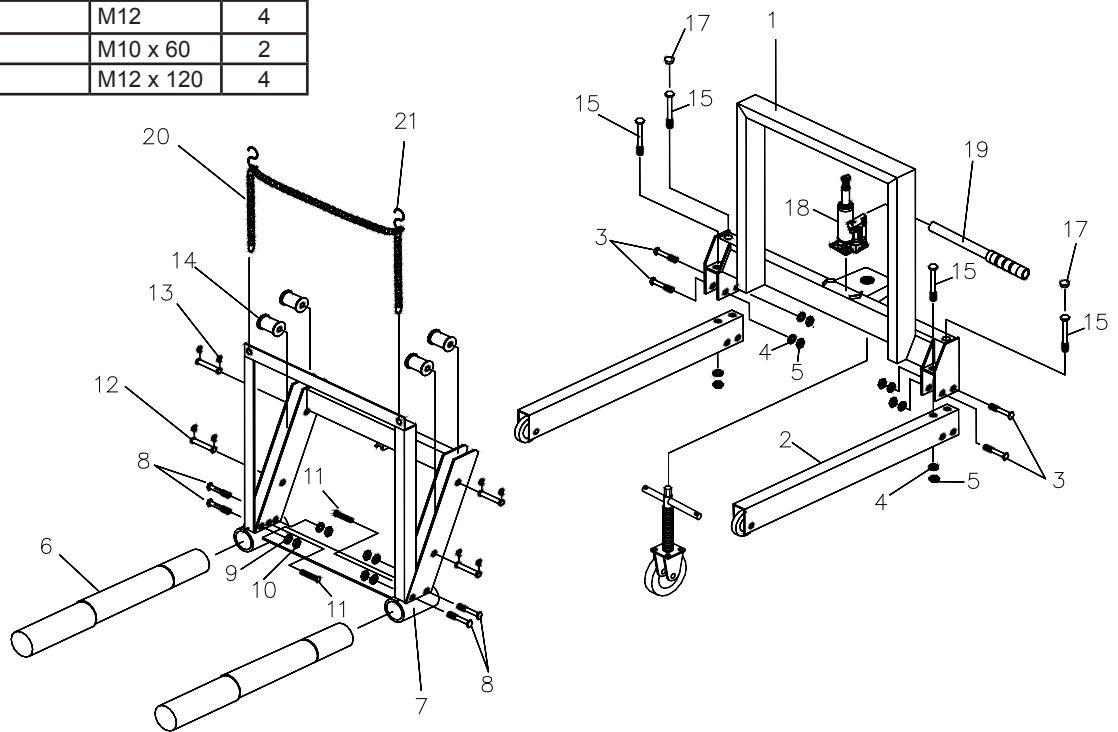


Figura 3: Ilustración de ensamblaje para el modelo 47050C

## PREPARACIÓN (cont.)

### Ensamblaje 47053 (consulte las Fig. 2 y 4)

1. Fije la rueda de 3 1/2" (8,89 cm) al marco principal izquierdo y derecho (2 y 3) con pernos y arandelas (4).
2. Acople la rueda de 5" (12,7 cm) al soporte trasero (6) con pernos, arandelas y tuercas (7).
3. Inserte el marco principal izquierdo (2) en el marco principal derecho (3).
4. Instale el soporte vertical (8) y el soporte trasero (6) en el conjunto del marco principal (2 y 3) con dos pernos y tuercas (9) y cuatro pernos, arandelas y tuercas (10).
5. Instale las cintas de soporte (11) en las orejas de instalación del marco vertical y principal con pernos, arandelas y tuercas (12).
6. Acople la unidad hidráulica (13) al conjunto vertical (8).
7. Inserte la manija del nivelador de carga (14) en el soporte trasero (6) con pasadores y pasadores rampa (15 y 16).
8. Acople la cadena (17) al conjunto vertical.

Tamaño de los kits de accesorios		Cant.	
4	perno	M8x16	8
	arandela de seguridad	M8	8
7	perno	M8x16	4
	arandela de seguridad	M8	4
	tuerca	M8	4
9	perno	M12x100	2
	tuerca	M12	2
10	perno	M14x110	4
	arandela	M14	4
	tuerca	M14	4
12	perno	M8x34	4
	arandela de seguridad	M8	4
	tuerca	M8	4

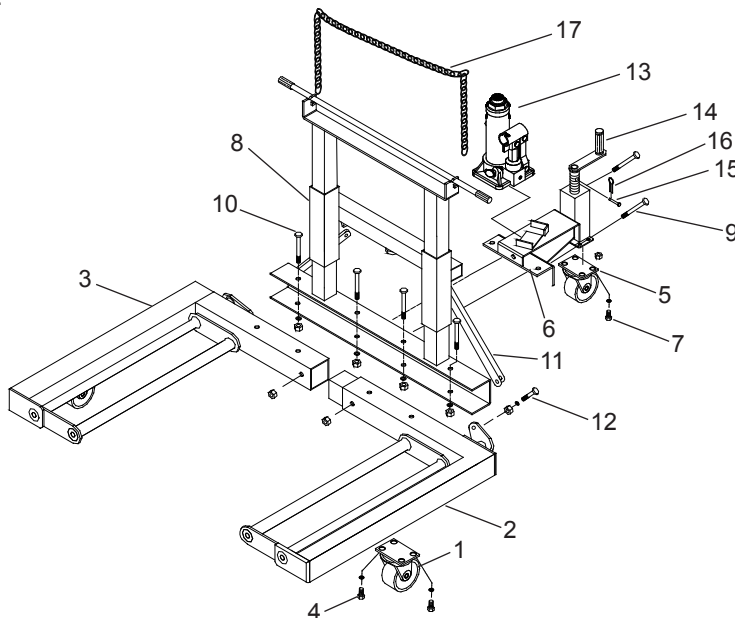


Figura 4: Ilustración de ensamblaje para el modelo 47053

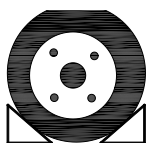
## ANTES DEL USO

1. Verifique que el producto y la aplicación sean compatibles; si tiene dudas, llame al Servicio técnico de Omega al (888) 332-6419.
2. Antes de usar este producto, lea todo el manual del operador; procure familiarizarse en forma completa con el producto y sus componentes, y reconocer los posibles peligros asociados a su uso.
3. Para familiarizarse con el funcionamiento básico, coloque la unidad hidráulica en posición vertical como se muestra en las Fig. 1 y 2, enganche la válvula de liberación con la parte ranurada de la manija proporcionada y luego gire la válvula de liberación.
  - a. A la *derecha* hasta que sienta una resistencia firme para continuar girando. Esta es la posición "CERRADO" de la válvula de liberación que se usa para elevar la carga.
  - b. A la *izquierda*, pero no más de 1 giro con respecto a la posición de cerrado. Esta es la posición 'ABIERTO' de la válvula de liberación que se usa para bajar la carga.
4. Una vez que la unidad eléctrica haya descendido por completo y la válvula de liberación esté cerrada, bombee la manija de funcionamiento. Si la unidad eléctrica responde de inmediato, la plataforma está lista para usarse. Si la unidad eléctrica no responde, siga las **instrucciones de descarga de aire/purgado**.
5. Coloque la unidad hidráulica en la plataforma giratoria como se muestra en las Fig. 1 y 2. Coloque la unidad de manera tal que el asiento se acople con la muesca proporcionada.
6. Verifique que la plataforma rodante gire libremente, que la bomba y la válvula de liberación funcionen sin problemas. Antes de poner la plataforma rodante en servicio, suba y baje la plataforma rodante sin carga a lo largo de la distancia de elevación. Reemplace las piezas y los conjuntos desgastados o dañados solo con piezas de repuesto autorizadas de fábrica.

### Purgado/descarga del aire atrapado

Coloque la válvula de liberación en la posición ABIERTO (3b.) y baje el asiento en forma completa; luego, ubique y retire el tapón de llenado de aceite. Bombee de 6 a 8 recorridos completos. Esto ayudará a liberar el aire presurizado que pudiera estar atrapado dentro del depósito. Vuelva a colocar el tapón de llenado de aceite.

## **ADVERTENCIA**



### **Para evitar lesiones por opresión y otras lesiones o daño a la propiedad:**

- **Lea, comprenda y siga** todos los materiales impresos que vienen con esta plataforma rodante.
- No exceda la capacidad nominal.
- **Antes de** colocar la plataforma rodante, **asegúrese** de que el vehículo esté colocado de manera segura y soportado por medios mecánicos tales como un par de soportes para gato de capacidad nominal adecuada o criba y bloqueo.
- Usar únicamente sobre superficies lisas, duras y uniformes capaces de soportar la carga.
- **Bloquee** cada conjunto de ruedas sin elevar en ambas direcciones.
- **Esté atento y sobrio** cuando utilice este producto. **Nunca** use este equipo si está bajo los efectos de drogas o bebidas alcohólicas.
- Antes de mover o bajar la carga al punto mínimo, asegúrese de que esté centrada y asegurada con un dispositivo de restricción de carga.
- Solo deben utilizarse accesorios y/o adaptadores suministrados por el fabricante.
- No deben hacerse modificaciones a este producto.
- Nunca use una unidad hidráulica (gato) como dispositivo independiente.
- Aplique la carga lo más cerca posible a la posición vertical de la pieza levadiza.

## **FUNCIONAMIENTO**

### **Preparación del vehículo**

1. Ubique el vehículo sobre una superficie dura y uniforme, tal como concreto reforzado, lo suficientemente grande para alojar vehículos, gatos, soportes para gato y plataforma rodante.
2. Configure el freno de emergencia a menos que el tambor trasero, los neumáticos y las ruedas deban retirarse como un conjunto.
3. Bloquee todos los neumáticos sin elevar en ambas direcciones Y tome todas las precauciones necesarias para asegurarse de que la configuración sea estable y que evitará cualquier movimiento accidental del vehículo.

### **Cómo levantar los brazos elevadores**

1. Cierre la válvula de liberación; para hacerlo, gírela con la parte ranurada de la manija a la derecha hasta que sienta una resistencia firme.



**ADVERTENCIA:** *Siga los procedimientos de extracción e instalación recomendados por los fabricantes del vehículo para los neumáticos, las ruedas, el cubo o los conjuntos de ejes, según sea necesario. **NO** retire más de lo que recomienda el fabricante del vehículo.*

2. Después de que el conjunto de ruedas o neumáticos se ha aflojado del cubo o del eje y está listo para extraerlo, coloque la plataforma debajo del conjunto para retirarlo. Bombeo hasta que la carga alcance la altura deseada. Ajuste la inclinación del brazo elevador de manera tal que el conjunto de ruedas o neumáticos se encaje de manera segura entre los brazos elevadores sin caerse hacia adelante (hacia las ruedas delanteras).

### **Cómo cargar la plataforma rodante**



**ADVERTENCIA: NUNCA** cargue este dispositivo con más peso del que tiene el conjunto de ruedas a extraer. **ASEGÚRESE** de que el vehículo esté colocado de manera segura y soportado por **medios mecánicos** tales como **un par de soportes para gato de capacidad nominal adecuada o criba y bloqueo**.



**ADVERTENCIA: NUNCA** utilice una plataforma rodante como un dispositivo para **extraer neumáticos**. Antes de transportar el conjunto de ruedas. Asegúrese de que esté libre del conjunto cubo o tambor y que esté asegurado a la plataforma rodante con el dispositivo de restricción proporcionado.

Cuando la plataforma rodante soporte el peso del neumático aflojado, el conjunto de ruedas, cuidadosamente haga girar la plataforma rodante lejos del tambor o eje. Cuando el conjunto esté despejado, asegure inmediatamente el conjunto de neumáticos/ruedas con las cadenas proporcionadas.

### **Descenso**

Accione y gire lentamente la válvula de liberación hacia la izquierda, pero nunca más de 1 giro completos.

### **Cómo transportar la plataforma rodante cargada**

1. Asegúrese de que el conjunto de ruedas esté asegurado a la plataforma rodante con las cadenas proporcionadas.
2. Cuando el conjunto de ruedas haya liberado el cubo o el eje, baje los brazos elevadores hasta la posición mínima que todavía permitirá el movimiento de la plataforma rodante y la rueda.
3. Tire o empuje a la ubicación deseada.



**ADVERTENCIA:** Siga los procedimientos de extracción e instalación recomendados por los fabricantes del vehículo para los neumáticos, las ruedas, el cubo o los conjuntos de ejes, según sea necesario.



**ADVERTENCIA:** Si la manija operativa está desgastada, funciona de manera anormal o no se engancha de manera positiva en la válvula de liberación, interrumpa inmediatamente el uso del gato hasta que pueda adquirirse un conjunto de manija de reemplazo.



**ADVERTENCIA:** Use **únicamente** aceite para gatos hidráulicos de alta calidad o equivalente. El uso de un líquido inadecuado puede provocar fallas prematuras en el gato y posibles pérdidas de carga repentinas e inmediatas.

## MANTENIMIENTO

### Cómo agregar aceite a la unidad hidráulica

1. Una vez que el asiento haya descendido por completo, coloque el gato en posición vertical y a nivel. Ubique y retire el tapón de llenado de aceite.
2. Llene con aceite incluso con la parte inferior del orificio del tapón de llenado de aceite. Vuelva a colocar el tapón de llenado de aceite.

### Cómo cambiar el aceite en la unidad hidráulica

Para lograr el mejor rendimiento y una vida útil más prolongada, cambie el suministro completo de líquido por lo menos una vez al año.

1. Retire la unidad hidráulica de la plataforma rodante. Coloque la unidad hidráulica en posición vertical en una superficie dura y pareja.
2. Una vez que el asiento haya descendido por completo, retire el tapón de llenado de aceite.
3. Coloque al gato de lado y descargue el líquido en un recipiente adecuado.

**Nota:** Deseche el líquido hidráulico conforme a las reglamentaciones locales.

4. Llene con aceite incluso con la parte inferior del orificio del tapón de llenado de aceite. Vuelva a colocar el tapón de llenado de aceite.
5. Instale la unidad hidráulica nuevamente en la plataforma rodante.
6. Realice el procedimiento indicado en Purgado/descarga del aire atrapado.

### Lubricación

La lubricación periódica con un aceite liviano en los puntos de giro de la plataforma rodante y la unidad hidráulica ayudará a evitar la corrosión y garantizará todas las piezas móviles funcionen sin problema.

**Nota:** Nunca aplique aceite en el asiento.

### Almacenamiento

Almacene la unidad hidráulica con el pistón de la bomba, el pistón del ariete y el asiento completamente bajo y la válvula de liberación abierta, pero nunca más de 1 giro. Esto ayudará a prevenir el óxido y la corrosión en aquellas superficies críticas.

### Limpieza

Verifique periódicamente el pistón y el ariete de la bomba de la unidad hidráulica en busca de signos de oxidación o corrosión. Límpielos con un paño con aceite, según sea necesario.

**Nota:** Nunca utilice lijas o materiales abrasivos en estas superficies.

## LOCALIZACIÓN Y SOLUCIÓN DE PROBLEMAS

Síntoma	Causas posibles	Medidas correctivas
La unidad hidráulica no levanta la carga.	• La válvula de liberación no está herméticamente cerrada.	• Asegúrese de que la válvula de liberación esté herméticamente cerrada.
La unidad hidráulica se eleva, pero no mantiene la presión.	• La válvula de liberación no está herméticamente cerrada. • La unidad hidráulica no funciona correctamente.	• Asegúrese de que la válvula de liberación esté herméticamente cerrada. • Póngase en contacto con un técnico de servicio de Omega.
La unidad hidráulica no baja después de su descarga.	• El depósito está lleno en exceso. • El enlace está atascado.	• Asegúrese de retirar la carga, luego descargue el líquido hasta el nivel adecuado. • Limpie y lubrique las piezas móviles.
La capacidad de elevación es deficiente.	• El nivel de líquido está bajo. • Hay aire atrapado en el sistema.	• Asegúrese de que el nivel de líquido sea el adecuado. • Consulte las instrucciones de purgado/descarga del aire atrapado, en la página 22.
La unidad hidráulica no se eleva al máximo de su capacidad.	• El nivel de líquido está bajo.	• Asegúrese de que el nivel de líquido sea el adecuado.



## PIEZAS DE REPUESTO

No todos los componentes de la plataforma rodante tienen reemplazo, pero se ilustran a modo de referencia práctica de la ubicación y la posición que ocupan en la secuencia del conjunto. Cuando realice el pedido de piezas, indique el número de modelo y la descripción de las piezas. Para obtener el precio vigente, comuníquese a: SFA Companies 10939 N. Pomona Ave. Kansas City, MO 64153, U.S.A. Correo electrónico: sales@omegalift.com Tel.: (888) 332-6419 Fax: (816) 891-6599, sitio web: <http://www.omegalift.com>

Modelo: 47050C

Elemento	N.º de pieza	Descripción	Cant.
1	5402-04030-000	Pasador del resorte	2
2	4200-03004-000	cadena	2
3	5304-00016-000	anillo de retención 'C'	8
4	T540-02002-000	pasador	4
5	T540-02001-000	rodillo	4
6	T590-90009-K01	conj. de la ruedecilla	1
7	5404-02030-000	pasador de gancho	2
8	T540-90009-K02	CONJUNTO de barra giratoria	1
9	5110-04010-000	perno	2
10	T476-00003-000	rueda delantera	2
11	T540-01001-000	pasador	1
12	T540-90009-K01	conjunto de manija	1
13	B020-10000-000	unidad hidráulica	1
-	T5400S-096	Kit de accesorios	-
-	47050C-M0	OIPM	-
-	47050C-L0	Etiqueta	-

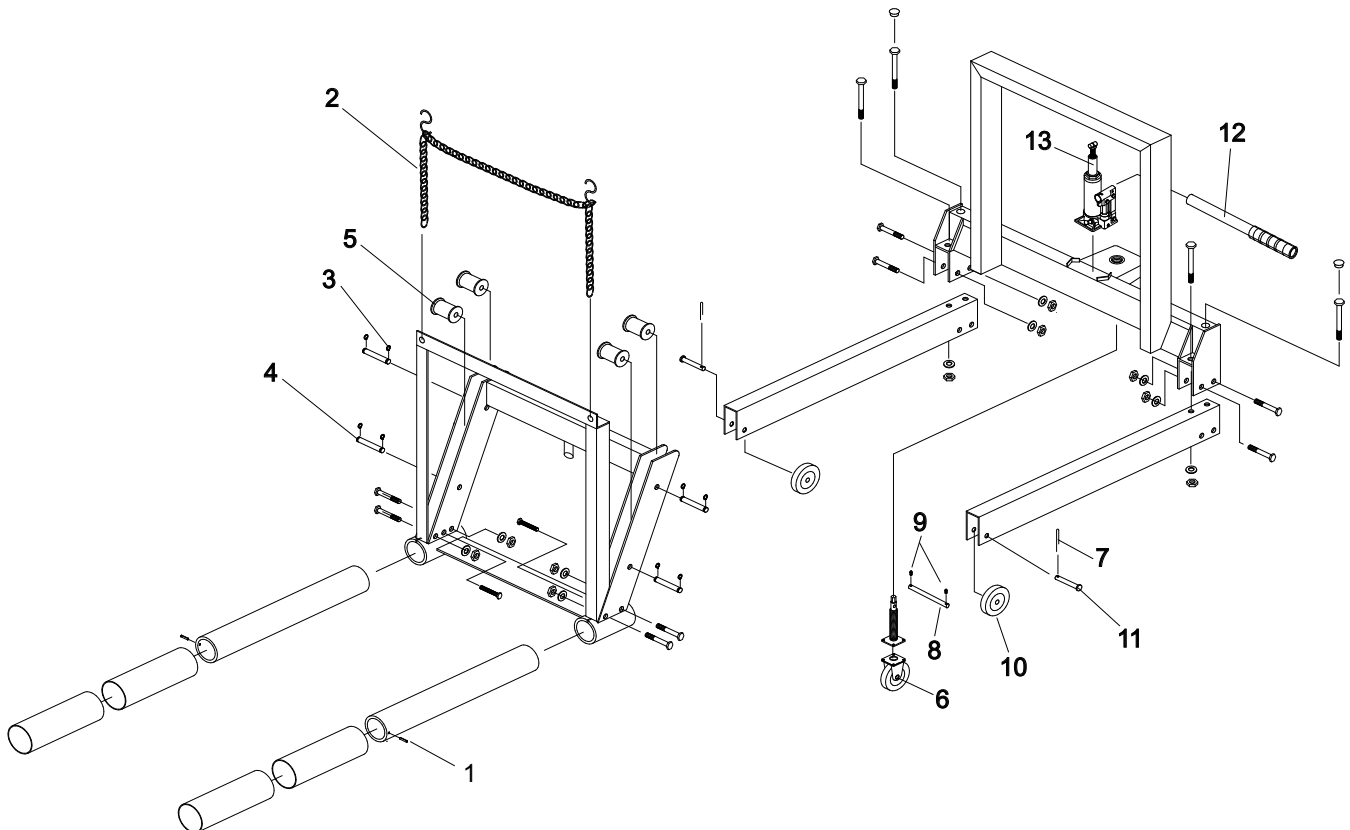


Figura 5: Ilustración de piezas de repuesto para el modelo 47050C

## PIEZAS DE REPUESTO

No todos los componentes de la plataforma rodante tienen reemplazo, pero se ilustran a modo de referencia práctica de la ubicación y la posición que ocupan en la secuencia del conjunto. Cuando realice el pedido de piezas, indique el número de modelo y la descripción de las piezas. Para obtener el precio vigente, comuníquese a: SFA Companies 10939 N. Pomona Ave. Kansas City, MO 64153, U.S.A. Correo electrónico: sales@omegalift.com Tel.: (888) 332-6419 Fax: (816) 891-6599, sitio web: <http://www.omegalift.com>

Modelo: 47053

Elem.	N.º de pieza	Descripción	Cant.	Elem.	N.º de pieza	Descripción	Cant.
1	T474-04000-000	Rueda delantera, 31/2" (8,89 cm)	2	16	T590-06000-000	Marco principal derecho	1
2	*	Resorte, arandela	16	17	G933-00001-000	Agarre de la manija	2
3	*	Perno, M8 x 16	12	18	T590-01000-000	Conjunto de montante	1
4	T590-03000-000	Marco principal izquierdo	1	19	T590-07000-000	Cadena	1
5	*	Tuerca hex. M8	8	20	*	Perno M14 x 110	4
6	T590-00001-000	Correa de elevación	4	21	*	Resorte, arandela	4
7	*	Perno M8 x 34	4	22	*	Tuerca hex. M14	4
8	T590-90009-K01	Ruedecilla trasera de 5" (12,7 cm)	1	23	10045C	Unidad hidráulica, 4T	1
9	T590-04000-000	Elevador de soporte trasero	1	24	*	Tuerca hex. M12	2
10	*	Perno M12 x 100	2	25	F36100-0001	Tapón de llenado de aceite	1
11	*(5602-00035-000)	Rodamiento	1	26	B20207-0002	Manija de la bomba	1
12	T590-05000-000	Marco de soporte trasero	1	(*)	T590-09000-000	Kit de accesorios	-
13	*(5403-06035-000)	Pasador Ø6 x 35	1				
14	T590-02000-000	Conjunto de nivelador de carga	1				
15	*(5405-02018-000)	Pasador de gancho	1				

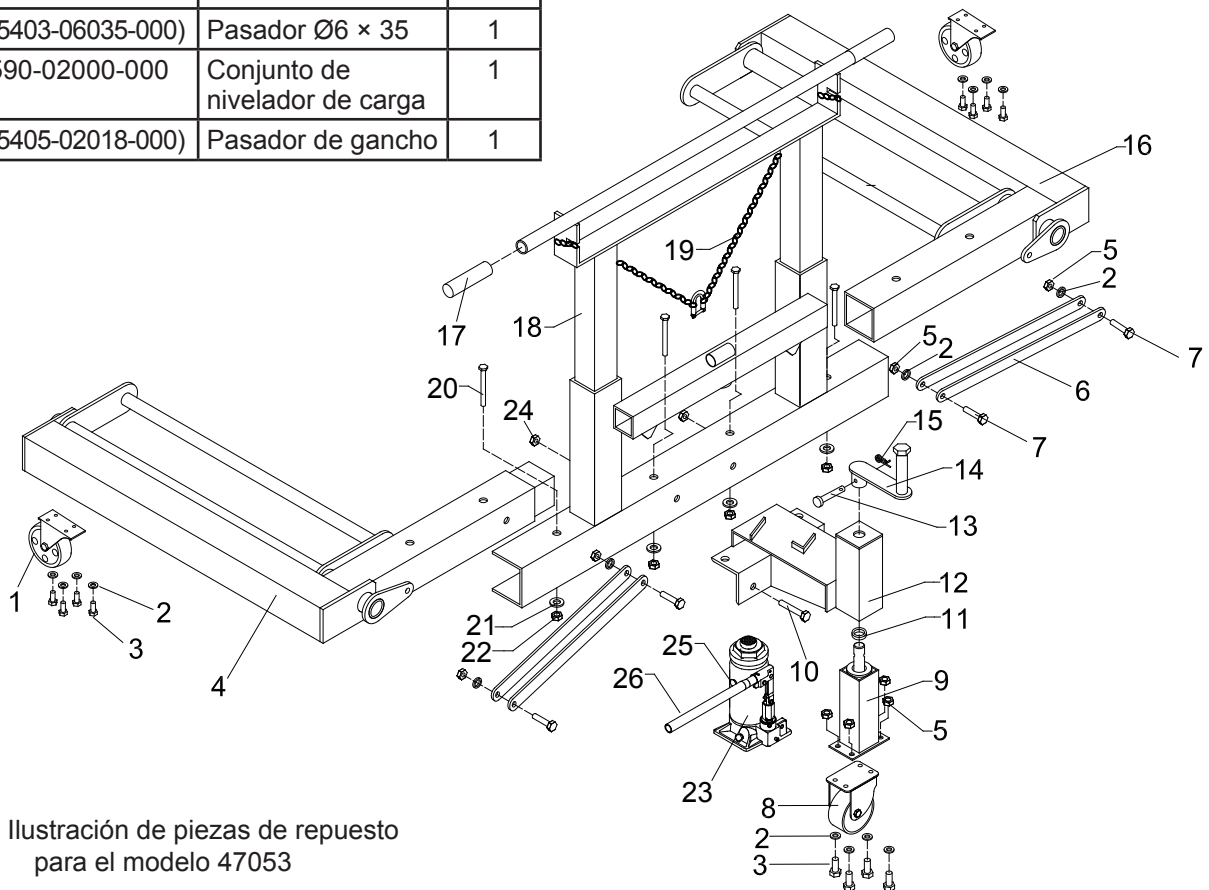


Figura 6: Ilustración de piezas de repuesto para el modelo 47053

## GARANTÍA LIMITADA DE UN AÑO

Por el período de un (1) año desde la fecha de compra, **SFA Companies** reparará o reemplazará, a su discreción, sin costo alguno, cualquier producto que presente fallas debido a defectos de materiales o mano de obra bajo condiciones normales de uso. Esta garantía limitada es un recurso exclusivo del consumidor.

El cumplimiento de toda obligación en virtud de esta garantía puede obtenerse con el envío del producto en garantía, con flete abonado en origen, a **SFA Companies** Warranty Service Department, 10939 N. Pomona Ave., Kansas City, MO 64153.

Salvo que tales limitaciones y exclusiones estén específicamente prohibidas por las leyes vigentes, (1) EL ÚNICO Y EXCLUSIVO RECURSO DEL CONSUMIDOR SERÁ LA REPARACIÓN O EL REEMPLAZO DE LOS PRODUCTOS DEFECTUOSOS, COMO SE DETALLA ARRIBA. (2) **SFA Companies** NO SERÁ RESPONSABLE, EN NINGÚN CASO, POR DAÑOS O PÉRDIDAS EMERGENTES O INCIDENTALES. (3) TODA GARANTÍA IMPLÍCITA, LO QUE INCLUYE, ENTRE OTRAS, LAS GARANTÍAS IMPLÍCITAS DE COMERCIALIZACIÓN Y APTITUD PARA FINES ESPECÍFICOS, ESTARÁ LIMITADA A UN AÑO; DE OTRO MODO, LA REPARACIÓN, EL REEMPLAZO O LA DEVOLUCIÓN DE DINERO CONFORME A ESTA GARANTÍA LIMITADA EXPRESA SERÁ EL EXCLUSIVO RECURSO DEL CONSUMIDOR, Y SE OFRECE EN LUGAR DE CUALQUIER OTRA GARANTÍA, EXPRESA O IMPLÍCITA. (4) CUALQUIER MODIFICACIÓN, ALTERACIÓN, USO INDEBIDO, SERVICIO NO AUTORIZADO O DISEÑO ORNAMENTAL ANULARÁ ESTA GARANTÍA Y NO ESTARÁ CUBIERTO POR ESTA GARANTÍA.

Algunos estados no permiten la limitación de la duración de las garantías implícitas, por lo que las limitaciones anteriores pueden no aplicarse en su caso. Algunos estados no permiten excluir o limitar los daños emergentes o incidentales, por lo tanto esta limitación o exclusión puede no ser aplicable en su caso. Esta garantía le otorga derechos legales específicos. Usted puede tener además otros derechos que varían de un estado a otro.



SFA Companies  
10939 N. Pomona Ave. Kansas City, MO 64153  
(888) 332-6419  
sales@omegalift.com



SFA Companies  
10939 N. Pomona Ave. Kansas City, MO 64153  
888-332-6419  
[sales@omegalift.com](mailto:sales@omegalift.com)