

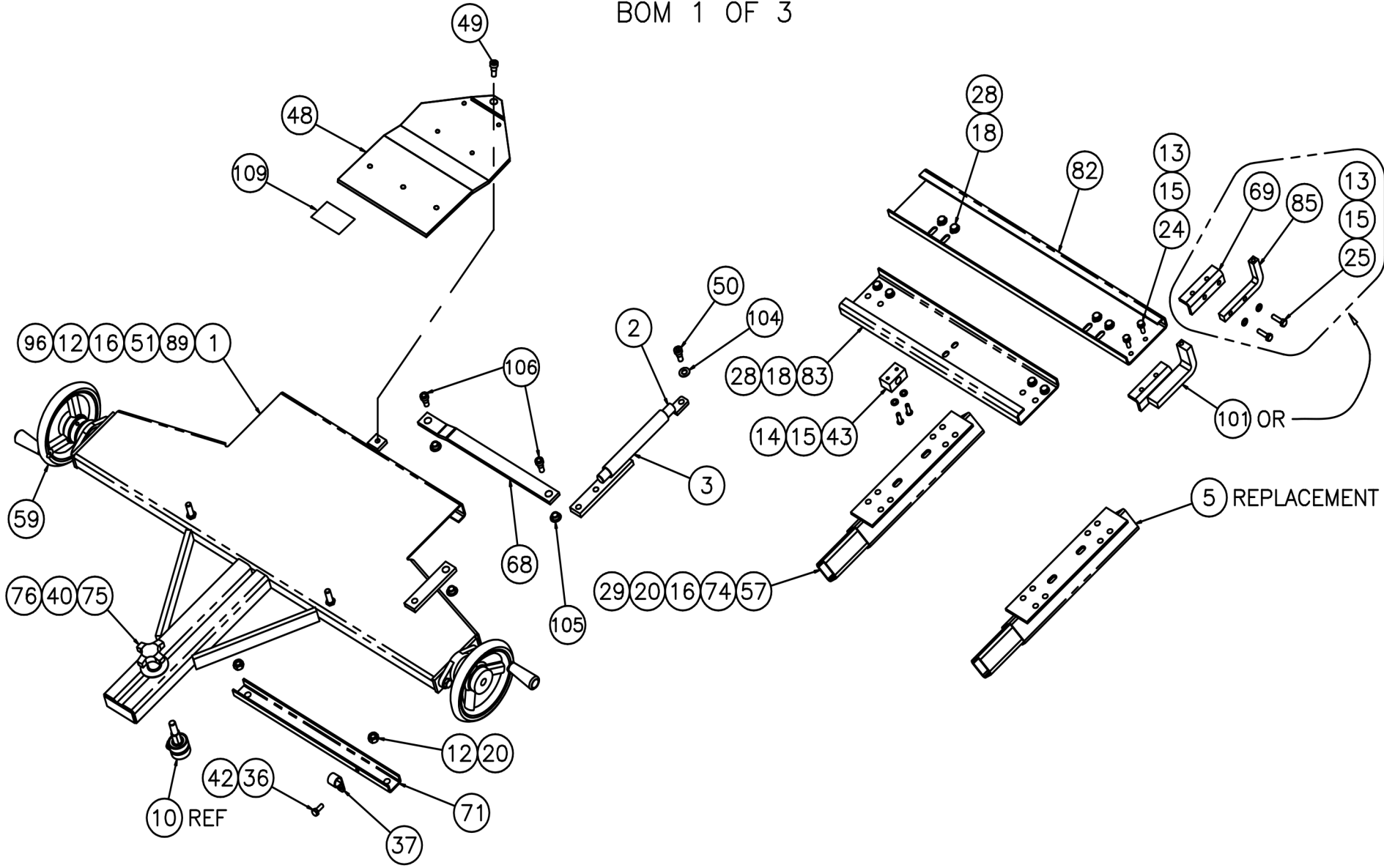
A DIVISION OF TSI

AMERMAC™

www.buytsi.com
800.223.4540

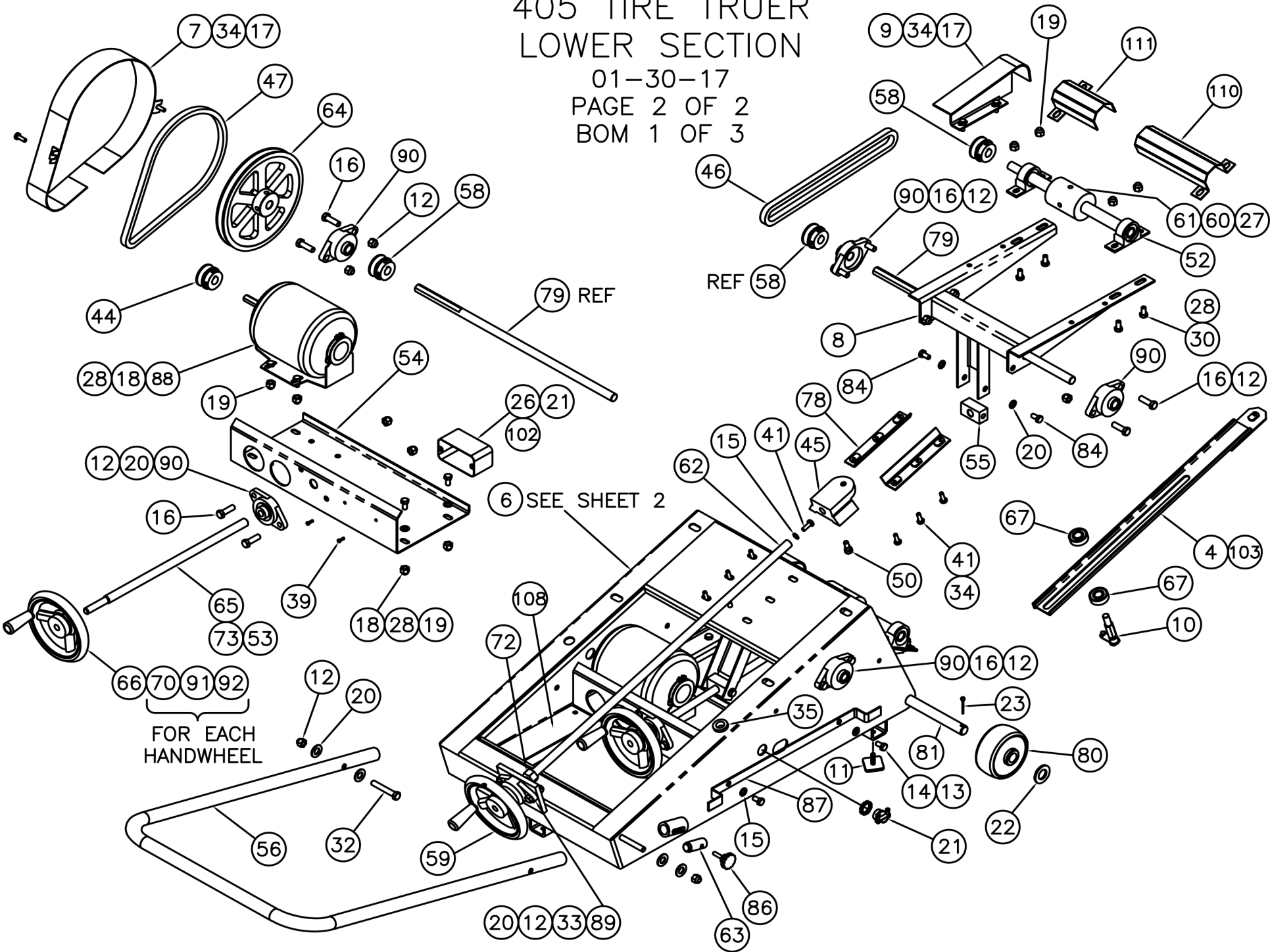
REPAIR PARTS LIST 405 TIRE TRUER UPPER SECTION

01-30-17
PAGE 1 OF 2
BOM 1 OF 3



REPAIR PARTS LIST 405 TIRE TRUER LOWER SECTION

01-30-17
PAGE 2 OF 2
BOM 1 OF 3



A DIVISION OF TSI

AMERMACTMwww.buytsi.com
800.223.4540**405 TIRE TRUER**

REPAIR PARTS BOM

Page 1 of 3

PN: 0000

BEGINNING SERIAL NO.0000

1/30/2017

PARTS LIST

ITEM	PART NO.	DESCRIPTION	QTY
1	6436	TOP DECK	1
2	6262	PIVOT ARM, WELD	1
3	6437	PIVOT ARM, SLIDE	1
4	6282	CALIBRATION GUIDE	1
5	6303	CROSS SLIDE	REF
6	6328	FRAME ASSY, PORTA	1
7	6329	BELT COVER, TIRE DRIVE	1
8	6333	YOKE, DRIVE ROLLER	1
9	6334	BELT COVER, DRIVE WHEEL	1
10	6359	PROFILE BOLT	1
11	6450	FOOT PAD	3
12	212	NUT 3/8-16 HEX NYLOK	22
13	226	NUT 1/4-20 NYLOK	6
14	444	HHCS 1/4-20 X 1	4
15	445	WASH 1/4 FLAT	9
16	447	HHCS 3/8-16 X 1-1/4 PLATED	16
17	519	RHMS 1/4-20 X 1/2 PHILLIPS	4
18	565	HHCS 5/16-18 X 1	16
19	566	NUT 5/16-18 NYLOK	20
20	1318	WASHER 3/8 WROUGHT	18
21	705	ELEC FLEX CONNECT	3
22	741	WASHER 3/4 STD SAE	2
23	847	COTTER PIN 1/4 DIA X 1-1/4 LG	2
24	903	HHCS 1/4-20 X 3/4 GR2	2
25	1271	HHCS 1/4-20 X 1-1/4 GR5	2
26	1284	BOX, ELEC, SINGLE, METAL	1
27	1308	SHSS 3/8-16 X 5/16 CUP POINT	4
28	1318	WASHER 5/16 WROUGHT	23
29	1354	WASHER 3/8 LOCK	4
30	1737	HHCS 5/16-18 X 3/4 GR 5	4

PARTS LIST

ITEM	PART NO.	DESCRIPTION	QTY
31	1832	SHSS 3/8-16 X 1" LG	1
32	3404	HHCS 3/8-16 X 2	2
33	3500	HHCS 3/8-16 X 1-1/2 GR5	2
34	4134	WASHER 1/4 SPRING LOCK PLATED	11
35	4357	GROMMET	1
36	4569	HWHST #10-24 X 3/4 TYPE 23 PLATED	1
37	10680	CLAMP, CABLE NYLON 5/8	1
38	11859	CONN. COMPACT 3-WIRE W/LEVERS	3
39	12026	HWHS #6-32 X 3/4 PLATED	2
40	12226	WASHER 7/16 FLAT	1
41	12468	HHCS 1/4-20 X 1/2	7
42	12490	NUT, 10-24 NYLOK	1
43	15014	TOP TABLE CROSSFEED NUT	1
44	15057	PULLEY A-BELT 2.0 OD X 1/2"BORE	1
45	15088	GIBBS BLOCK	1
46	15097	V-BELT, 4L TYPE 4L260 PRE SER#1052	1
46	15644	V-BELT TYPE 4L280 SER#1052 AND LATER	1
47	15098	V-BELT, 4L TYPE 4L310	1
48	15116	MOTOR BASE	1
49	15118	SHOULDER BOLT 3/8-16 X 1/2 DIA X 3/8"LG	1
50	15126	SHOULDER BOLT 5/16-18 X 3/8 DIA X 3/8"LG	2
51	15134	DRIVE SCREW, TABLE	1
52	15143	BEARING, PILLOW BLOCK 5/8" BORE	2
53	15315	NUT 5/8-8 ACME LH DBL	1
54	15197	MOTOR MOUNT, MODIFIED	1
55	15201	BUSHING, DRIVE SCREW	1
56	15202	HANDLE, PORTA TRUER	1
57	15214	RAIL, MAIN	2
58	15215	PULLEY A-BELT 1-3/4" OD X 5/8"BORE	2
59	15216	WHEEL, HANDLE	3

