

Original Instructions
Instrucciones originales
Consignes originales

Model: 34288NI



Recover, Recycle, Recharge Machine
for R-134a A/C Systems

Description: Recover, recycle, and recharge machine for use with R-134a equipped air conditioning systems.

PRODUCT INFORMATION

Record the serial number and year of manufacture of this unit for future reference. Refer to the product identification label on the unit for information.

Serial Number: _____ Year of Manufacture: _____

DISCLAIMER: Information, illustrations, and specifications contained in this manual are based on the latest information available at the time of publication. The right is reserved to make changes at any time without obligation to notify any person or organization of such revisions or changes. Further, ROBINAIR shall not be liable for errors contained herein or for incidental or consequential damages (including lost profits) in connection with the furnishing, performance, or use of this material. If necessary, obtain additional health and safety information from the appropriate government agencies, and the vehicle, refrigerant, and lubricant manufacturers.


Table of Contents


Safety Precautions	2	Maintenance	19
Explanation of Safety Signal Words	2	Maintenance Schedule	19
Explanation of Safety Decals	2	Load Language	20
Protective Devices	4	Tank Fill	21
Refrigerant Tank Test	4	Filter Maintenance	22
Introduction	5	Check Remaining Filter Capacity	22
Technical Specifications	5	Replace the Filter	23
Features	6	Calibration Check	24
Control Panel Functions	8	Change Vacuum Pump Oil	25
Icon Legend	9	Leak Check	26
Setup Menu Functions	10	Edit Print Header	27
Initial Setup	11	Replace Printer Paper	27
Unpack the Machine	11	Install a Printer	28
Unpack the Accessory Kit	11	A/C Service Function	29
Install the Oil Drain Bottle	11	Replacement Parts	29
Power Up the Machine	11	Glossary	29
Select Language	12	Troubleshooting	30
Select Units	12	Storage and Transportation of Equipment ...	33
Set Date and Time	12	Storage	33
Edit Print Header	12	Transportation of Equipment	33
Service Vacuum	13	Disposal of Equipment	34
Tank Fill	13	Disposal of Recycled Materials	34
Unit Activation	14	Disposal of the Machine	34
Operating Instructions	15	Disposal of Batteries	34
Recover Refrigerant from a Vehicle	15	Software License Notices	35
Evacuate the Vehicle A/C System	16	Warranty Statement	Rear Cover
Recharge the Vehicle A/C System	17		
Automatic Function	18		


Safety Precautions

Explanation of Safety Signal Words Used in this Manual

The safety signal word designates the degree, or level, of hazard seriousness.

 **DANGER:** Indicates an imminently hazardous situation which, if not avoided, will result in death or serious injury.


 **WARNING:** Indicates a potentially hazardous situation which, if not avoided, could result in death or serious injury.

 **CAUTION:** Indicates a potentially hazardous situation which, if not avoided, could result in minor or moderate injury.

CAUTION: Used without the safety alert symbol indicates a potentially hazardous situation which, if not avoided, could result in property damage.

These safety messages cover situations Robinair is aware of. Robinair cannot know, evaluate, or advise as to all possible hazards. The user must verify that conditions and procedures do not jeopardize personal safety.

Explanation of Safety Decals Used on the Machine

	Carefully read the instructions.
	Do not use in open air in case of rain or high humidity.
	Wear gloves.
	Wear protection goggles.
	Alternating voltage.
	Grounding protection.
	Electrical shock hazard.

Safety Precautions



WARNING: To prevent personal injury,



ALLOW ONLY QUALIFIED PERSONNEL TO OPERATE THE MACHINE. Before operating the machine, read and follow the instructions and warnings in this manual. The operator must be familiar with air conditioning and refrigeration systems, refrigerants, and the dangers of pressurized components. If the operator cannot read this manual, operating instructions and safety precautions must be read and discussed in the operator's native language.



USE THE MACHINE AS OUTLINED IN THIS MANUAL. Using the machine in a manner for which it was not designed will compromise the machine and nullify the protections provided.



PRESSURIZED TANK CONTAINS LIQUID REFRIGERANT. Do not overfill the internal storage vessel (ISV). Overfilling can cause explosion resulting in personal injury or death. Do not recover refrigerants into nonrefillable containers; use only type-approved refillable containers that have pressure relief valves.



HOSES CAN CONTAIN LIQUID REFRIGERANT UNDER PRESSURE. Contact with refrigerant can cause personal injury, including blindness and frozen skin. Wear protective equipment, including goggles and gloves. Disconnect hoses using extreme caution. Ensure the phase is complete before disconnecting the machine to prevent the release of refrigeration to the atmosphere.



AVOID BREATHING A/C REFRIGERANT AND LUBRICANT VAPOR OR MIST. Exposure can irritate eyes, nose, and throat. To remove refrigerant from the A/C system, use only equipment certified for the type of refrigerant being removed. Use the unit in locations with mechanical ventilation that provides at least four air changes per hour. If accidental system discharge occurs, ventilate the work area before resuming service.

DO NOT DISPERSE REFRIGERANT INTO THE ENVIRONMENT. Prevent the possible presence of refrigerant in the working environment.



TO REDUCE THE RISK OF FIRE, do not use the machine in the vicinity of spilled or open containers of gasoline or other flammable substances.

TO REDUCE THE RISK OF FIRE, do not use an extension cord. An extension cord can overheat and cause fire. If an extension cord must be used, use the shortest possible cord with a minimum size of 14 AWG.

TO REDUCE THE RISK OF FIRE, do not use the machine in the vicinity of flames and hot surfaces. Refrigerant can decompose at high temperatures and free toxic substances to the environment that can be noxious to the user.

TO REDUCE THE RISK OF FIRE, do not use the machine in environments containing explosive gases or vapors.

TO REDUCE THE RISK OF FIRE, do not use this machine in ATEX classified zones or areas. Protect the machine from conditions that can cause electrical failure or other hazards relating to ambient interaction.



CAUTION—DO NOT PRESSURE TEST OR LEAK TEST EQUIPMENT AND/OR VEHICLE AIR CONDITIONING SYSTEMS WITH COMPRESSED AIR. Mixtures of air and R-134a refrigerant can be combustible at elevated pressures. These mixtures are potentially dangerous and can result in fire or explosion causing personal injury and/or property damage.



HIGH VOLTAGE ELECTRICITY INSIDE THE MACHINE HAS A RISK OF ELECTRICAL SHOCK. Exposure can cause personal injury. Disconnect power before servicing the machine.

NEVER LEAVE THE MACHINE LIVE IF AN IMMEDIATE USE IS NOT SCHEDULED. Disconnect the electrical supply before a long period of inactivity or before internal maintenance is performed.

DO NOT MODIFY THE PRESSURE RELIEF VALVE OR CHANGE THE CONTROL SYSTEM SETTINGS. Using the machine in a manner for which it was not designed will compromise the machine and nullify the protections provided.

**Additional health and safety information can be obtained
from refrigerant and lubricant manufacturers.**

Safety Precautions

CAUTION : To prevent equipment damage,



TO PREVENT CROSS-CONTAMINATION, USE THIS MACHINE WITH R-134A REFRIGERANT ONLY.

The machine is equipped with special connectors to recover, recycle, and recharge only R-134a refrigerant. Do not attempt to adapt the machine for another refrigerant. Do not mix refrigerant types through a system or in the same container; mixing of refrigerants will cause severe damage to the machine and the vehicle air conditioning system.

DO NOT USE THIS MACHINE IN DIRECT SUNLIGHT. Position the machine far from heat sources, such as direct sunlight, which can cause excessive temperatures. The use of this machine under normal environmental conditions (10°C to 50°C) keeps pressures under reasonable limits.



DO NOT USE THIS MACHINE OUTDOORS DURING RAIN OR HIGH HUMIDITY. Protect the machine from conditions that can cause electrical failure or other hazards relating to ambient interaction.

DO NOT USE THIS MACHINE IN AREAS WHERE THERE IS A RISK OF EXPLOSION.

SET UP THE MACHINE ON AN EVEN SURFACE AND UNDER SUFFICIENT LIGHTING. LOCK THE FRONT WHEELS, AND DO NOT SUBJECT THE MACHINE TO VIBRATION.

TO AVOID CHEMICAL INCOMPATIBILITIES WITH THE INTERNAL COMPONENTS OF THE MACHINE, USE ONLY OILS APPROVED BY THE VEHICLE MANUFACTURER. Problems resulting from the use of non-approved oils will void the warranty.

**Additional health and safety information can be obtained
from refrigerant and lubricant manufacturers.**

Protective Devices

The machine is equipped with the following protective devices:

- Over pressure valves.
- A maximum pressure switch stops the compressor when excessive pressure is sensed.



WARNING: Tampering with these protective devices could result in serious injury.

Refrigerant Tank Test

Official records and recurring tests necessary for pressurized instruments are governed by laws and/or national regulations dependent upon the country where the refrigerant tank is used. The system manager is responsible for compliance with laws, regulations, and technical rules. During normal service, refrigerant tanks do not need maintenance. Refer to the Maintenance section of this manual for more information.

This machine is used on R-134a equipped vehicles and is designed to be compatible with existing service equipment and standard service procedures. This machine is a single-pass system (i.e. refrigerant flows through a filter once) that meets specifications for recycled refrigerant. Follow recommended service procedures for the containment of R-134a.

Note: Refrigerant systems require special oils. Refer to the A/C system manufacturer's service manual for oil specifications.

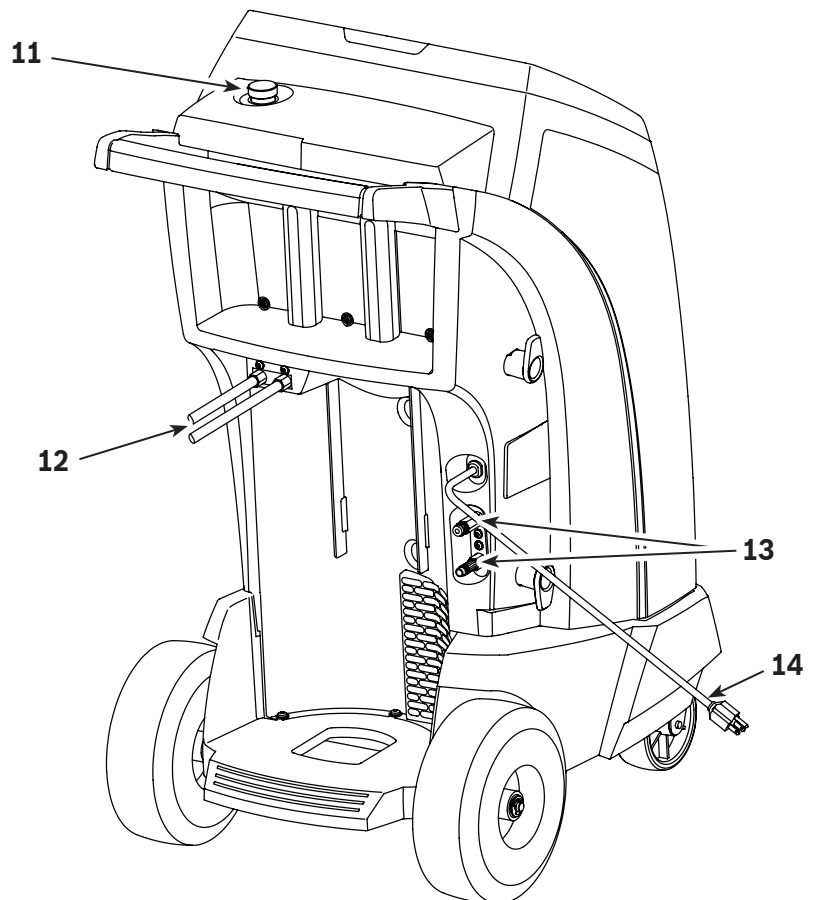
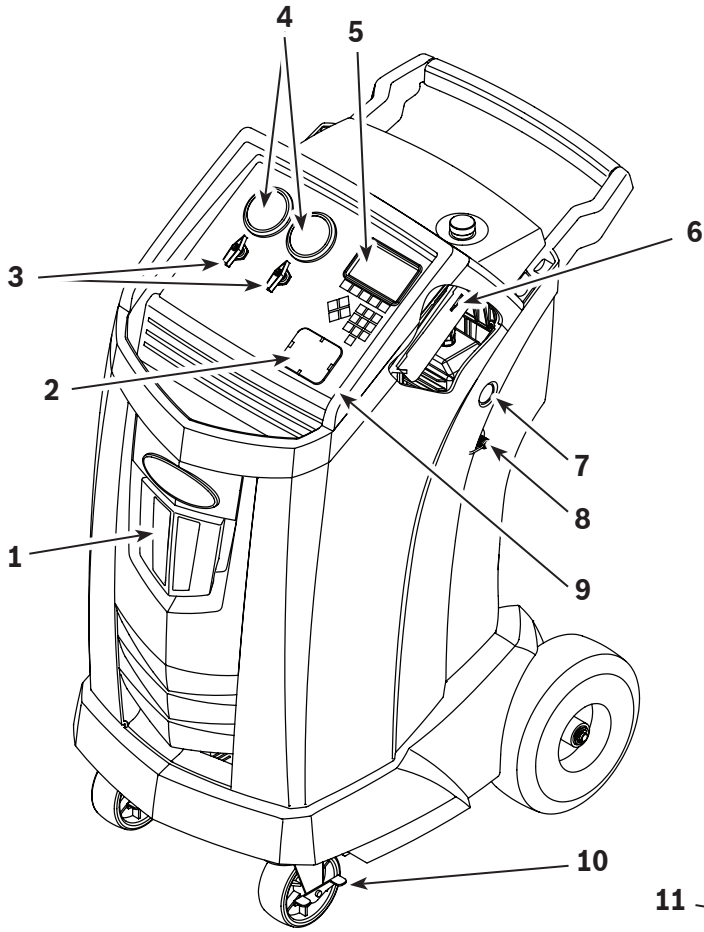


Technical Specifications

Dimensions	107 cm x 61 cm x 76 cm
Display	5 × 9 cm (4.3-in. diag) graphical LCD
Filter Life Capacity	68 kg (150 lb)
Humidity	32.2°C (90°F), 80% RH non-condensing
Manometers	Ø 80 mm (3.15 in.)
Maximum Pressure	27.3 bar (396 PSI)
Noise	<70 dB(A)
Nominal Voltage	115V, 60 Hz
Oil Drain Bottle Capacity	355 ml (12 oz)
Operating Temperature	10°C to 50°C (50°F to 122°F)
Power Consumption	1380 VA
Vacuum Pump Free-Air Displacement	1.5 CFM (42 L/m) @ 60 Hz
Service Hoses	2.75 m (9 ft) / SAE J2196
Tank Capacity	10 kg (22 lb)
Weight	73 kg (161 lb)

Introduction

Features

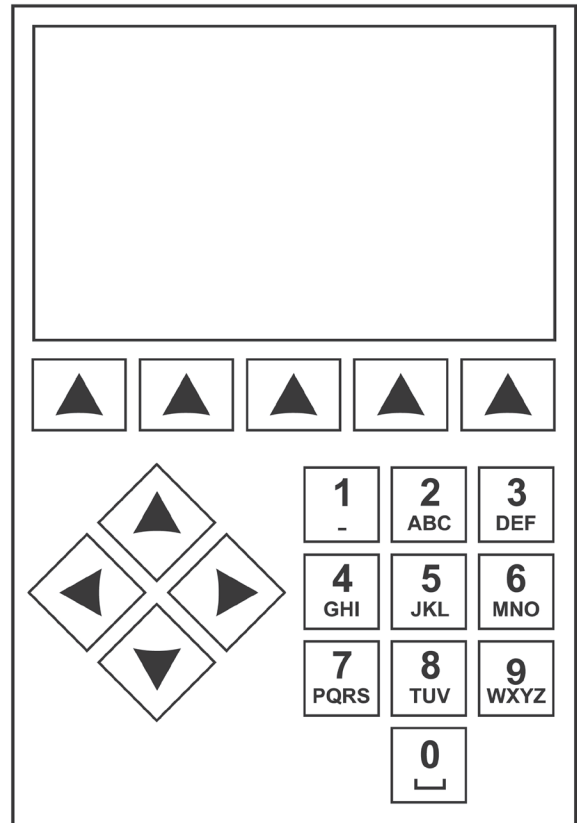


Item No.	Description
1	Oil Drain Bottle
2	Printer Cap (printer sold separately)
3	Panel Valves
4	Low-side (blue) and High-side (red) Manifold Gauges
5	Graphic Display and Keypad
6	SD Card Connection
7	Vacuum Pump Oil Sight Glass
8	Vacuum Pump Oil Drain Fitting
9	Power Switch
10	Wheel Lock
11	Vacuum Pump Oil Fill Cap and Port
12	Service Hoses
13	Service Hose Storage Ports
14	Power Cord

Introduction

Control Panel Functions

- ARROW UP** highlights the previous item.
- ARROW DOWN** highlights the following item.
- ARROW RIGHT** scrolls to next screen.
- ARROW LEFT** scrolls to previous screen.
- SELECTION ARROWS** make a selection or answer a query.



Control Panel Keypad

Icon Legend



AUTOMATIC ICON

Pressing the key under this icon will enter the automatic refrigerant recovery, vacuum, and charge process.



RECOVER ICON

Pressing the key under this icon will enter the refrigerant recovery process.



VACUUM ICON

Pressing the key under this icon will enter the system vacuum process.



CHARGE ICON

Pressing the key under this icon will enter the refrigerant charge process.



NEXT/FORWARD ICON

Pressing the key under this icon will proceed to additional menu selection options, or proceed to an additional step in a function or process.



BACK ICON

Pressing the key under this icon will return to previously seen menu selection options, or return to the previous screen within a function or process.



HELP ICON

Pressing the key under this icon will provide help and information corresponding to the current screen and/or function being viewed or performed.



DATABASE ICON

Pressing the key under this icon will enter the vehicle database retrieval process.



SETUP MENU ICON

Pressing the key under this icon will enter the Setup Menu.



YES/ACCEPT ICON

Pressing the key under this icon will accept any choices made on the current screen and proceed to the next step of the function.



NO/CLOSE ICON

Pressing the key under this icon will reject any choices made on the current screen and return to the previous step of the function or the Main Menu.



RETRY ICON

Pressing the key under this icon will retry the current process or function.



CHARGE PATH SELECTION ICON

Pressing the key under this icon will toggle the desired path of refrigerant charge between high side, low side, and both side.



ON/OFF ICON

Pressing the key under this icon will toggle the highlighted function on or off as desired.



BACKSPACE ICON

Pressing the key under this icon will delete a text character to the left of the current selection.



PAUSE ICON

Pressing the key under this icon will pause the current process.



RESUME ICON

Pressing the key under this icon will resume a process that has been paused.



PRINT ICON

Pressing the key under this icon will print a summary corresponding to the current completed process.



DELETE ICON

Pressing the key under this icon will delete a selected entry from the memory of the machine.



CHANGE UNITS ICONS



Pressing the key under one of these icons will toggle the unit of measurement for the current entry field.

Introduction

Setup Menu Functions

Access the following functions by pressing the Menu key and selecting Setup.

Select Language

Select a language for screen prompts. English is the default language.

Hose Equalize

Use this Setup Menu item to recover refrigerant from the service hoses back into the vehicle A/C system. This item is useful after performing diagnostics which do not require the need to recover the A/C system into the RRR machine. The user will be prompted to connect the low side service hose to the appropriate port and to start the vehicle's A/C system on max.

Tank Fill

Use this Setup Menu item to transfer refrigerant from a source tank to the ISV. The tank fill amount may be adjusted up or down to suit the user's needs. Refer to Tank Fill in the Maintenance section.

Refrigerant Tracking

If enabled, the machine will retain records of refrigerant that has been recovered, charged, and replenished (filled from source tank). This data can be exported to SD card or printed (if printer is installed).

Refrigerant Management

Displays the amount of refrigerant recovered, charged, and replenished (for the life of the machine), and filtered since the last filter change.

Filter Maintenance

The filter removes acid, particulates, and moisture from the refrigerant. To meet requirements, it is mandatory to replace the filter after 68 kg (150 lb) of refrigerant has been filtered.

This menu item displays the filter capacity remaining until the machine locks down and no longer functions. Refer to Filter Maintenance in the Maintenance section.

Pump Maintenance

Displays the amount of time remaining until the next vacuum pump oil change is needed. For maximum vacuum pump performance, change vacuum pump oil every time the filter is replaced. Refer to Change Vacuum Pump Oil in the Maintenance section.

Calibration Check

Use to verify internal scale calibration. Refer to Calibration Check in the Maintenance section of this user manual.

ISV Purge Condition

Displays the temperature and pressure of the internal tank.

Display Title Info

Enables/Disables diagnostic information of the machine to be displayed on the title bar of the display.

Leak Check

Initiates a leak check on the machine.

Select Units

Program the machine to display units of measure in kilograms or pounds. The default display is kilograms.

Date and Time

Program the machine for current date and time.

Edit Print Header

Programs information that will appear on the printout each time a print function is used.

Replace Service Hoses

Initiates the set of actions required to replace the service hoses.

Default Vacuum Time

Allows user to modify the machine's default setting.

Unit Activation

Failure to register and activate the machine within 30 days of initial startup will cause the machine to lock out and no longer function. Select this Setup Menu item and follow the prompts before the trial period expires.

System Information

Displays the revision level of the software in the machine.

Service Menu

For Robinair service center use only.

Production Menu

For Robinair production use only.

Unpack the Machine

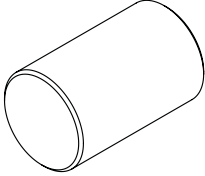
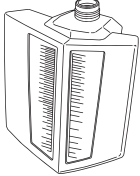

1. Remove the bandings from the box.
2. Remove the top carton infold, the molded pulp tray, and the angle boards.
3. Remove the sleeve from the bottom carton infold.
4. Gently roll the unit forward and off the pallet, avoiding any sudden shocks to the machine.



WARNING: To prevent personal injury while working with refrigerant, read and follow the instructions and warnings in this manual, and wear protective equipment such as goggles and gloves.

Unpack the Accessory Kit

Unpack the accessory kit from the box, and remove the plastic packaging.

Calibration Check Weight 533 g (1.18 lb) 	Oil Drain Bottle 
Pouch containing the user manual, safety data sheets, and a service center list.	Tank Adapter 

Install the Oil Drain Bottle

1. Locate the oil drain coupler on the front of the machine (see Figure 1).
2. Lubricate the O-ring inside the coupler.
3. Insert the oil drain bottle into the coupler, pushing straight upward. (Do not use a twisting or rocking motion.)

Power Up the Machine

1. Unwind the power cord, and plug it into a correct voltage, grounded outlet.
2. Position the machine so the plug and the power switch are of easy access for the operator. Verify the fan vents on the rear of the machine are not obstructed.
3. Lock the front wheels.
4. Toggle the power switch on the control panel to turn the machine ON.

The machine launches into the initial Setup mode.

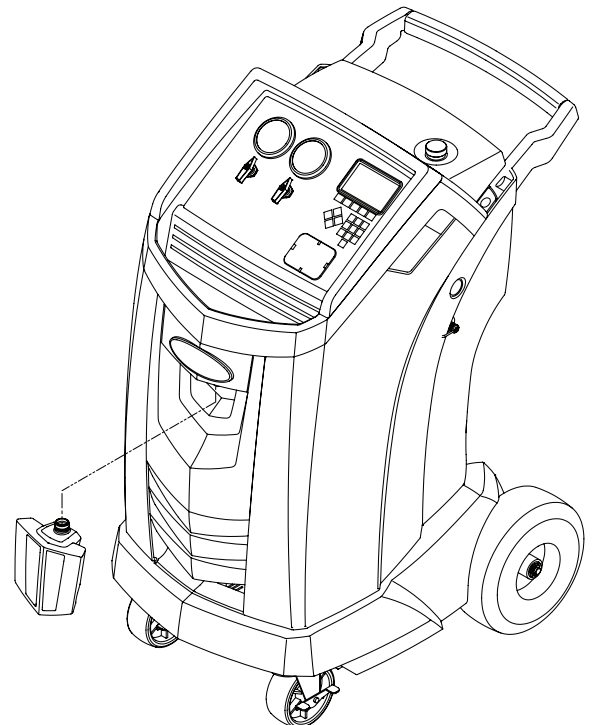


Figure 1

Initial Setup

Select Language

The operator selects the language for the screen prompt displays. English is the default language.

1. Use the **UP** or **DOWN** arrow key to toggle through the available languages one line at a time.
2. Select ✓ to set the selected language.

Note: To update an existing language or to add a new language, refer to Load Language in the Maintenance section of this manual.

Select Units

The operator sets the display for units of measure. Metric is the default.

3. Use the **ARROW UP** or **ARROW DOWN** key to toggle Imperial or Metric units.
4. Select ✓ to choose the displayed unit of measure.


Set Date and Time

Use the arrow keys to move the cursor. Use the keypad to modify the information displayed.

5. Use the **ARROW UP** and **ARROW DOWN** keys to select which item to change: day, month, year, or time. Select **I/O** to toggle between AM and PM.
6. Use the multi-tap interface on the numeric keypad to modify the information.
7. Select ✓ to save.

Edit Print Header

This machine has the capability to print recovery, vacuum, and charge information if a printer is installed (sold separately). The information loaded into Edit Print Header will appear on each printout.

1. Enter text by using the arrows and the multi-tap interface on the numeric keypad:
 - **ARROW LEFT** and  key act as backspace key.
 - **ARROW RIGHT** moves the cursor to the right.
 - **0 (ZERO)** acts as a spacebar when pressed twice.
 - **ARROW UP** and **DOWN** navigate between the rows.
2. Select ✓ to save/exit the function; select ✕ to return to the previous header without saving data.

Service Vacuum

At this point the machine clears its internal plumbing before proceeding with setup.

1. Check the vacuum pump oil level sight glass and verify the oil level is at the center of the sight glass.
2. When prompted, connect the service hoses from the machine to their storage ports as shown in Figure 2. Select ►► to continue.
3. The machine enters a 5-minute vacuum and will automatically enter the next set-up process when complete.

Tank Fill

This procedure transfers refrigerant from a source tank to the internal storage vessel (ISV) in the machine. The maximum capacity of the ISV is 10 kg (22 lb). Use arrow keys to move the cursor; use the keypad to enter a value.

1. The machine displays fields for desired tank fill amount, charge capacity, and the amount of recoverable refrigerant (recover capacity) within the internal storage vessel. Enter the desired tank fill amount.

Note: Add at least 3.6 kg of refrigerant to ensure enough is available for charging.

2. Install the tank adapter (included) to the source tank.
3. Connect the low-side service hose coupler to the tank adapter.
4. Open the source tank valve, low-side coupler valve, and low-side panel valve.
5. Position the source tank in such a way that liquid refrigerant is supplied to the connection.
6. Select ✓ to start the tank fill process. The machine begins filling the internal storage vessel (ISV). Add at least 3.6 kg of refrigerant to ensure enough is available for charging. This process takes 15–20 minutes.
7. The machine stops when the designated amount of refrigerant has been transferred to the ISV or when the source tank is empty. Follow the messages on the display.
8. Close the source tank valve.
9. Select ✕ to complete Initial Setup.

The machine is ready for operation.



WARNING: To prevent personal injury while working with refrigerant, read and follow the instructions and warnings in this manual, and wear protective equipment such as goggles and gloves.

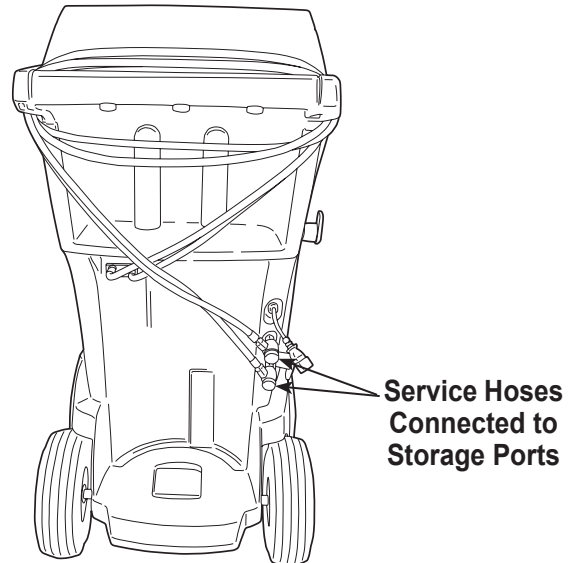


Figure 2

Notes:

- There is no need to calibrate the scale; it is calibrated at the factory.
- After the tank fill process is complete, the display does not show the same amount as the programmed fill level.
- The display shows the amount of refrigerant that is available for charging, which is approximately 0.67 kg (1.4 lb) less than the total amount of refrigerant in the tank.
- For optimum performance during tank-fill operation, verify proper orientation of source tank. Some tanks may need to be inverted for liquid supply.

Charge Capacity: The amount of refrigerant in the ISV that can be charged into a vehicle A/C system.

Recover Capacity: The amount of additional refrigerant that could be recovered into the ISV.

Initial Setup

Unit Activation

Failure to register and activate the machine within 30 days of initial startup will cause the machine to lock out and no longer function.

1. Select Unit Activation from the Setup Menu. The machine displays

XX Days Left on Trial
Period to activate unit.
Activate Now?

2. Select to start the activation process. The machine displays

Product Activation

Personal product code:
XXXXXXXXXXXX

Enter code:
XXXXXXXXXXXX



3. Open a web browser on a personal computer and enter <https://register.servicesolutionsportal.com>.
4. Enter the user name and password, and log in to the website.
Note: If a first-time user, select REGISTER to create a user name and password.
5. On the personal computer, enter the Personal Product Code of the machine into the Product Activation key box on the website to receive an activation code.
6. On the machine, enter the activation code into the correct field. Note: Enter the code exactly as received. Capitalization is required.
7. Record the activation code on a piece of paper and file it in a secure place. Select .
8. The machine displays

Activation successful.

Select **▶▶**. The machine has been activated.



Recover Refrigerant from a Vehicle



1. Empty the oil drain bottle before starting a recovery. Remove the oil drain bottle from the machine by pulling the bottle straight down—do not use a twisting or rocking motion. Reinstall the oil drain bottle. See Figure 3.
2. Select **RECOVER**  from the **MAIN MENU**.
3. Connect the high-side (red) and low-side (blue) service hoses to the vehicle A/C system.
4. Open the coupler valves on the hoses by turning the collars clockwise.
5. Open the high-side and low-side valves on the control panel.
6. Select  to continue.

The machine begins the recovery process. A clicking noise indicates the solenoid is opening and closing — this is normal.

The machine runs a self-clearing cycle to clear any internal refrigerant from its internal plumbing.

System recovery begins and includes a timed vacuum, deep recovery process.

After recovery, the machine will perform an oil drain, which may require up to 90 seconds to complete.

7. After the oil drain is complete, a summary is displayed showing the total amount of refrigerant recovered. The user is prompted to “Check Oil Drain Bottle” to note amount of oil drained. Recovery information can be printed by selecting  on machines equipped with a printer.
8. Select  to return to the Main Menu.

Note: The displayed recovered weight can vary depending on ambient conditions and should not be used as an indicator of scale accuracy.

Note: The amount of oil that was removed from the A/C system is the amount of new oil that should be charged into the A/C system after evacuation is complete.

- Only new lubricant, as specified by the system manufacturer, shall be installed in the MAC System. Lubricant removed from the system and/or the equipment shall be disposed of in accordance with the applicable federal, state and local procedures and regulations.



WARNING: To prevent personal injury while working with refrigerant, read and follow the instructions and warnings in this manual, and wear protective equipment such as goggles and gloves.

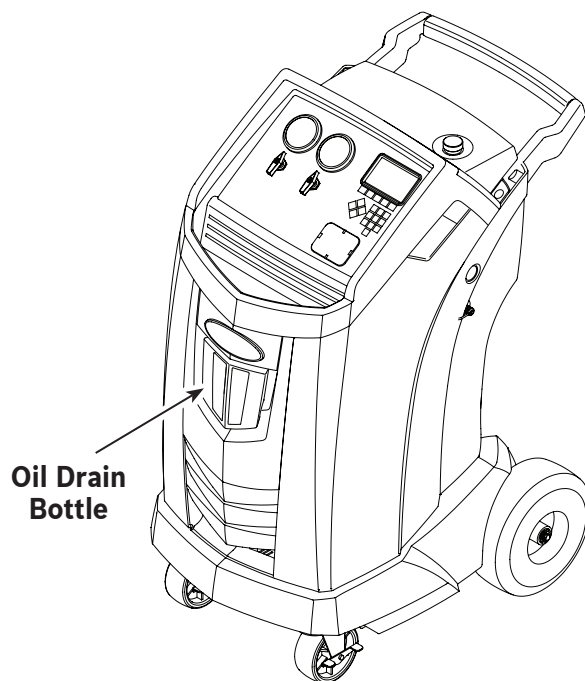





Figure 3

Operating Instructions




Evacuate the Vehicle A/C System

1. Select **VACUUM**  from the **MAIN MENU**.
2. Select Vacuum Leak Check, if desired, to automatically perform a 5-minute pressure rise leak check after the vacuum.
3. Select  to accept the 10-minute default evacuation time, or enter a desired vacuum time using the number keys.
4. Connect the service hoses to the vehicle's service ports.
5. Open the service hose coupler valves by turning the collars clockwise.
6. Open both panel valves.
7. Select  to begin the vacuum process.

Note: The vacuum process will halt if pressure rises above 1.1 bar (16 psi). Recover refrigerant before proceeding.

The machine pulls a vacuum on the A/C system for the programmed amount of time.

Vacuum information can be printed by selecting  on machines equipped with a printer.

8. Select  to return to the Main Menu.


IMPORTANT: The machine pulls a vacuum on the vehicle's A/C system to remove air and boil off moisture. Evacuate the system for at least 10 minutes to ensure adequate moisture and contaminant removal, unless otherwise specified by the vehicle manufacturer.



WARNING: To prevent personal injury while working with refrigerant, read and follow the instructions and warnings in this manual, and wear protective equipment such as goggles and gloves.



Recharge the Vehicle A/C System


1. Connect both service hoses to the vehicle's service ports.
2. Select **CHARGE**  from the **MAIN MENU**.

The display shows

Charge: XX.XXX kg
Charge Path: HIGH
Min Charge quantity 10g

3. Use the arrow keys and the numeric keypad to enter the desired charge amount. Select **kg lbs oz** to change units.
4. Using the arrow keys, maneuver to the charge path selection. High Side is default. Select **HSLs** to toggle between high, low, and both side charge paths. The current selection is indicated on the display.
5. Select **▶▶** to continue.
6. Follow on-screen prompts to adjust panel valve positions based on the charge path specified.

Note: Oil may be injected at this time using Robinair injector 18480 or 18490 (sold separately).

7. Select **▶▶** to start the charge process. Moving or bumping the machine at this point may result in an inaccurate charge. When the charge cycle approaches the desired weight value, the machine slows down. It will charge, settle, charge again, settle, etc.
8. Follow on-screen prompts to perform hose equalization.
Note: Hose equalization requires the user to start the vehicle.
9. The user will be prompted to close the coupler valves and disconnect the hoses from the vehicle. Select **▶▶** to recover any remaining refrigerant from the hoses.
10. When the **CHARGE COMPLETE** screen appears, it includes a summary of charge results. The user may select  to print the summary, if a printer is installed. Select **▶▶** to return to the main menu.

The vehicle A/C system is now ready for use.



WARNING: To prevent personal injury while working with refrigerant, read and follow the instructions and warnings in this manual, and wear protective equipment such as goggles and gloves.

Note: The charging process differs from vehicle to vehicle. Charge function for vehicles equipped with a single service fitting should be carried out manually. Refer to the vehicle service manual for specific instructions.


CAUTION: If the low-side (blue) or high-side (red) coupler valve is left open during the hose clearing process, the system will pull refrigerant back out of the vehicle.

Operating Instructions






Automatic Function

The **AUTOMATIC** function allows a user to perform an automatic recovery, vacuum, leak test, and/or charge sequence. A total automatic sequence may take up to an hour to complete.

1. Connect high-side (red) and low-side (blue) service hoses to the A/C system.
2. Open the service hose coupler valves by turning the collars clockwise.
3. Select **AUTOMATIC**  from the **MAIN MENU**. The display shows

Vacuum Time: XX:XX
Charge: XX.XXX kg
Charge Path: High

4. Use the numeric keypad to enter the desired length of vacuum.
5. Use the arrow keys and the numeric keypad to enter the desired charge amount. Select **kg|lbs|oz** to change units.
6. Using the arrow keys, maneuver to the “charge path selection.” High Side is default. Select **HSLS** to toggle between high, low, and both side charge paths. The text on the display will change to the current selection.
7. Select **▶▶** to continue.
8. Follow on-screen prompts to adjust valve positions.
9. Select **▶▶** to begin the **AUTOMATIC** cycle. The unit will now proceed through all applicable functions: **RECOVER**, **VACUUM**, and **CHARGE**.


If the machine detects low pressure, follow on-screen prompts and select  to continue automatic cycle with recovery,  to perform vacuum, or  to cancel.

10. Before recharging the system, the machine’s display will illuminate yellow, indicating user input is required. Follow on-screen prompts to adjust panel valve positions based on the charge path specified.

Note: Oil may be injected at this time using a manual oil injector.



WARNING: To prevent personal injury while working with refrigerant, read and follow the instructions and warnings in this manual, and wear protective equipment such as goggles and gloves.

11. Select **▶▶** to start the charge process. Moving or bumping the machine at this point may result in an inaccurate charge. When the charge cycle approaches the desired weight value, the machine slows down. It will charge, settle, charge again, settle, etc.
12. Follow on-screen prompts to perform hose equalization.
Note: Hose equalization requires the user to start the vehicle.
13. The user will be prompted to close the coupler valves and disconnect the hoses from the vehicle. Select **▶▶** to recover any remaining refrigerant from the hoses.
14. When the **AUTOMATIC COMPLETE** screen appears, it includes a summary of results. The user may select  to print the summary, if a printer is installed. Select **▶▶** to return to the Main Menu.

The vehicle A/C system is now ready to use.

*Note: The **CHARGE** function for vehicles equipped with a single-service fitting should be carried out manually according to procedures in the vehicle manufacturer’s service manual.*

IMPORTANT: The machine pulls a vacuum on the vehicle’s A/C system to remove air and boil off moisture. Evacuate the system for at least 10 minutes to ensure adequate moisture and contaminant removal, unless otherwise specified by the vehicle manufacturer.

Maintenance Schedule

Maintenance Task	Recommended Interval
Change filter	After 68 kg (150 lb) of refrigerant has been filtered. Refer to Filter Maintenance in the Maintenance section of this manual.
Change vacuum pump oil	When the filter is replaced. Refer to Change Vacuum Pump Oil in the Maintenance section of this manual.
Check casters and wheels for ease of operation	Monthly.
Check internal scale calibration	Monthly. Refer to Calibration Check in the Maintenance section of this manual.
Check machine for leaks	Monthly. Check hoses and connections for leakage. Disconnect power, remove the shroud, and use an electronic leak detector to check fittings.
Clean airflow outlet panel (see Figure 4)	Monthly. Use a clean cloth.
Clean cabinet and control panel	Monthly. Use a clean cloth.
Inspect power cord and hoses for cuts and abrasions	Daily.
Lubricate wheel bearings and inspect brake components	Monthly.
Pressure Test	Every 10 years. Performed by an authorized Robinair service center.

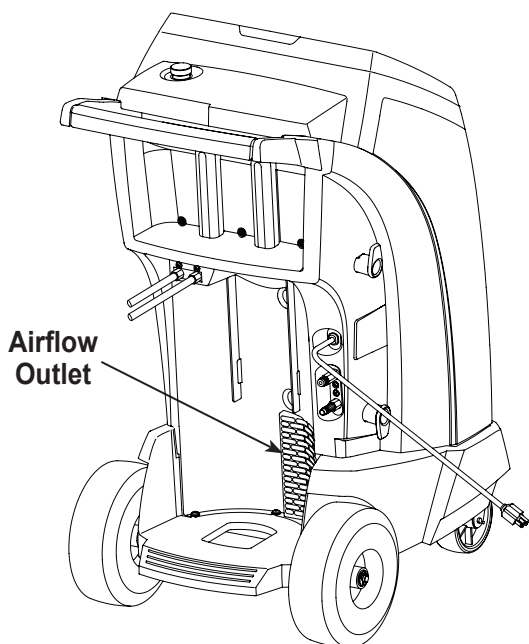


Figure 4



WARNING: To prevent personal injury only qualified personnel may perform inspections and repairs to this machine. Read and follow instructions and warnings in this manual, and wear protective equipment such as goggles and gloves.

Maintenance

Load Language

Use the following instructions to add or update a language from an SD card.

1. Choose **SELECT LANGUAGE** from the **SETUP MENU**.
2. Use the arrow keys to scroll to **LOAD NEW**. Select ✓.
3. Insert the SD card containing the language data. See Figure 5.

Note: Access to SD card slot may require removal of shroud. See Figure 7 on page 23.

4. Follow the prompts to select the language to load or update. If loading a new language, it will be necessary to select which language to replace.

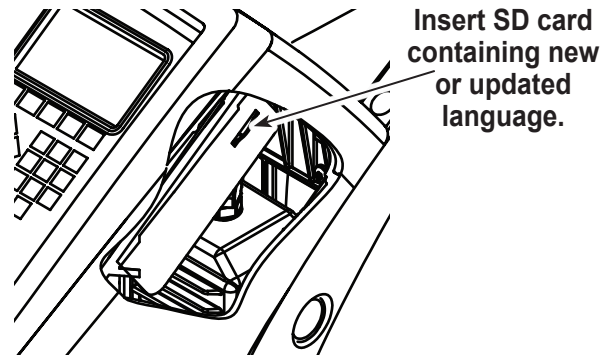




Figure 5

Tank Fill

This menu item is used to transfer refrigerant from a source tank to the ISV.

The maximum capacity of the internal storage vessel (ISV) is 10 kg. Use the arrow keys to move the cursor; use the keypad to enter a value.

Note: Add at least 3.6 kg of refrigerant to ensure sufficient refrigerant is available for charging.

1. The machine displays fields for desired tank fill amount, charge capacity, and the amount of recoverable refrigerant (recover capacity) within the internal storage vessel. Enter the desired tank fill amount.
2. Install the tank adapter (included) to the source tank.
3. Connect the low-side service hose coupler to the tank adapter.
4. Open the source tank valve, low-side coupler valve, and low-side panel valve.
5. Position the source tank in such a way that liquid refrigerant is supplied to the connection.
6. Select  to start the tank fill process. The machine begins filling the internal storage vessel (ISV). Add at least 3.6 kg of refrigerant to ensure enough is available for charging. This process takes 15–20 minutes.
7. The machine stops when the designated amount of refrigerant has been transferred to the ISV or when the source tank is empty. Follow the messages on the display.
8. Close the source tank valve.
9. Select  to complete Initial Setup.

The machine is ready for operation.

Notes:

- *There is no need to calibrate the scale; it is calibrated at the factory.*
- *After the tank fill process is complete, the display does not show the same amount as the programmed fill level.*
- *The display shows the amount of refrigerant that is available for charging, which is approximately 0.67 kg (1.4 lb) less than the total amount of refrigerant in the tank.*
- *For optimum performance during tank-fill operation, verify proper orientation of source tank. Some tanks may need to be inverted for liquid supply.*



WARNING: To prevent personal injury while working with refrigerant, read and follow the instructions and warnings in this manual, and wear protective equipment such as goggles and gloves.

Charge Capacity: The amount of refrigerant in the ISV that can be charged into a vehicle A/C system.

Recover Capacity: The amount of additional refrigerant that could be recovered into the ISV.

Maintenance

Filter Maintenance

The filter is designed to trap acid and particulates, and to remove moisture from refrigerant. To meet the mandate for adequate moisture and contaminant removal, the filter must be replaced after 68 kg (150 lb) of refrigerant has been filtered.

The machine gives a warning when 57 kg (125 lb) of the filter capacity has been used; the machine locks down when the 68 kg (150 lb) filter capacity has been reached and will no longer function.

Check Remaining Filter Capacity

1. Select **FILTER MAINTENANCE** from the **SETUP MENU** or when the machine prompts. The machine displays

Remaining Filter Capacity: XXX.XO kg
Replace filter now?

The machine displays the amount of filter capacity remaining until the machine locks down.

2. Select ✓ to change the filter; select ✗ to resume using the machine.

⚠ WARNING: The components in the machine are under high pressure. To prevent personal injury, change the filter only when the machine prompts.



WARNING: To prevent personal injury while working with refrigerant, read and follow the instructions and warnings in this manual, and wear protective equipment such as goggles and gloves.

Replace the Filter

1. If ✓ was selected to change the filter, the machine prompts for the new filter code to be entered.

Enter new filter serial number

Use the keypad to enter the serial number that appears on the new filter, and select ✓ to continue.

Note: If "Invalid serial number" is displayed, the serial number has been incorrectly entered, or the filter has already been used in this machine.

2. The machine clears the existing filter and displays

Serial number accepted.

Turn power off and replace filter.

Turn off the machine. Remove the oil drain bottle. Remove the screws holding the shroud. See Figure 6.

3. Hang the shroud on the back of the machine as shown in Figure 7.
4. Remove the filter by turning it counterclockwise (as viewed from the bottom of the filter).
5. Look at the new filter. Verify both o-rings are lubricated and correctly located in the grooves.
6. Install the new filter by threading it clockwise into place. Verify the filter is positioned correctly as shown in Figure 7. Tighten the filter to 20 Nm.
7. Power the machine on. The Change Vacuum Pump Oil operation will begin, and the screen will display

Warming oil for drain XX:XX

See Change Vacuum Pump Oil for more information.

The machine will then begin the Leak Check operation. See Leak Check section for more information.

Caution: To prevent equipment damage, use only authentic Robinair No. 34724 filters in this machine. All performance tests and claims are based on using this specific filter.

Remove the screws holding the shroud.

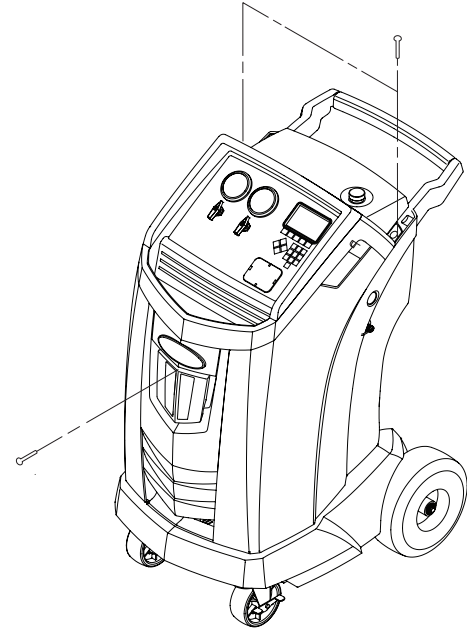


Figure 6

Hang Shroud Here

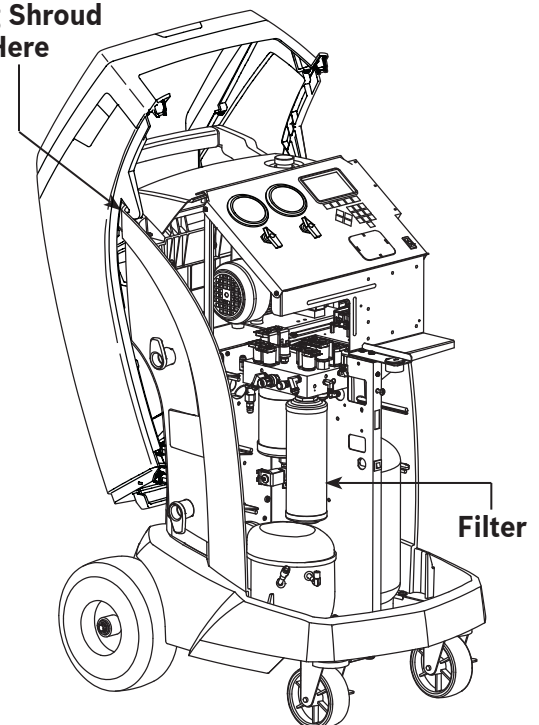


Figure 7

Maintenance

Calibration Check

This function is used to ensure the machine's internal scale is always calibrated. During this test, use only the calibration weight that is provided with the machine.

1. Refer to Figure 8, and verify the magnet on the bottom of the machine is clean.
2. Select **CALIBRATION CHECK** from the **SETUP MENU**.
The machine displays

Place calibration weight onto the magnet located on the bottom of the machine.

3. Attach the calibration weight to the magnet on the bottom of the machine. Select ✓ to continue.
4. The machine displays

Remove calibration weight from the magnet located on the bottom of the machine.

Remove the calibration weight from the magnet. Select ✓ to continue.

- If the display shows

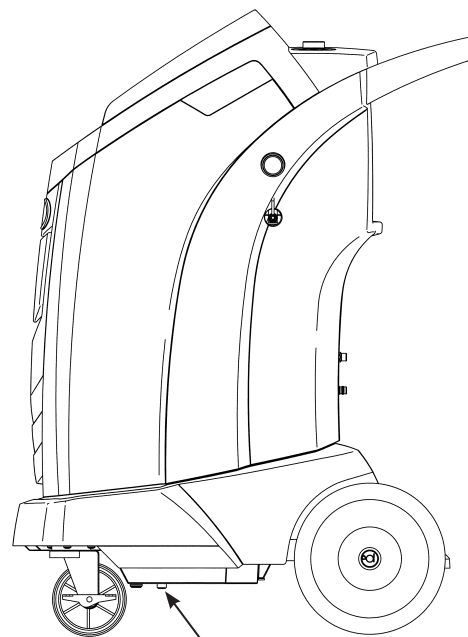
Calibration check passed

the scale is in calibration. Select ►► to return to the Setup Menu.

- If the display shows

Calibration check failed. Retry?

the scale is out of calibration. To retry, select ↺. If calibration continues to fail, contact an authorized Robinair service center for assistance.



Magnet

Figure 8

Change Vacuum Pump Oil

1. Select **PUMP MAINTENANCE** from the **SETUP MENU** or when prompted. The display shows

Remaining oil life:
XXX:XX (hhh:mm)
Change oil now?

2. Select to change vacuum pump oil. If the machine displays

Warming oil for drain
XX:XX

allow the vacuum pump to run for two minutes to warm up the oil. If the oil is already warm, the display shows

Drain used oil from pump
and replace with 150 ml of new oil
Remove fill cap to speed draining of oil

3. **Slowly** open the oil fill cap to verify there is no pressure in the machine. Then carefully remove the cap. See Figure 9.
4. Remove the oil drain fitting cap and drain the oil into a suitable container for disposal. Replace the cap and close tightly. Select **▶▶** to continue.
5. The machine displays

Fill vacuum pump to the center
of the sight glass
Reinstall fill cap

Slowly add vacuum pump oil to the pump through the oil fill port until the oil reaches the center of the sight glass. Install the cap on the oil fill port and close tightly. Select **▶▶** to return to the **SETUP MENU**.

Notes:

- For proper oil level, ensure the machine is on a flat, level surface.
- Robinair vacuum pump oil is available in various sizes. See "Replacement Parts" section.

⚠ WARNING: To prevent personal injury, do **NOT** operate the machine at any other time without the oil fill port cap installed, because the vacuum pump is pressurized during normal operation.

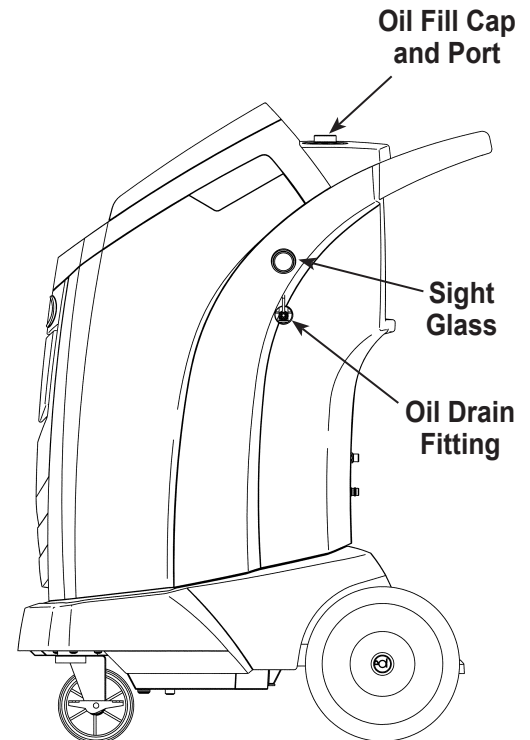


Figure 9

CAUTION: It is the responsibility of the user to monitor vacuum pump oil level and clarity. If contaminated oil is not removed from the vacuum pump and replaced, the vacuum pump will be permanently damaged.

Maintenance

Leak Check

A leak test may be performed on the machine at any time. During this test, components containing refrigerant are pressurized. An electronic leak detector is required.

Note: The leak check function is to check for leaks on the Robinair unit and its components only. This procedure is not for checking for leaks on the vehicle A/C system.

1. Select **LEAK CHECK** from the **SETUP MENU**. The machine displays

Connect service hoses to storage ports, open coupler valves, and open panel valves.

2. Connect the service hose couplers to the storage ports at the rear of the machine. Open the couplers by turning the collars clockwise. Turn panel valves to open position.
3. Remove and store shroud as shown in Figure 6 and Figure 7.
4. Select ✓ to start. The machine performs a self-recovery and displays

Recover in progress

The machine performs a 30-second vacuum test and displays

Vacuum leak check in progress

If the vacuum test fails, the machine will prompt to check for leaks.

Once the machine passes the vacuum test, a controlled pressure is applied. The machine displays

Use an electronic leak detector to search the unit for leaks.

5. Scan the machine's internal and external components with the leak detector, specifically high-risk areas such as hoses and fittings.
6. Select ✓ to continue. The machine performs a self-recovery to clear the refrigerant used for the leak test, and the process is complete.

CAUTION: If a leak is detected, contact an authorized Robinair service center for repair.



WARNING: To prevent personal injury while working with refrigerant, read and follow the instructions and warnings in this manual, and wear protective equipment such as goggles and gloves.

WARNING: To prevent personal injury should the machine require transport to a local Robinair service center, follow local government regulations regarding transportation of equipment containing R-134a.

Edit Print Header

To make changes to text that appears in this screen:

1. Select **EDIT PRINT HEADER** from the **SETUP MENU**.
2. The cursor is in the first field. Update the text by using the arrows and the multi-tap interface on the numeric keypad:
 - **ARROW LEFT** and **X** act as a backspace key.
 - **ARROW RIGHT** moves the cursor to the right.
 - **ZERO (0)** key acts as a spacebar.
 - **ARROW UP** and **DOWN** navigate between the rows.
3. Select **✓** to save the changes and return to the Setup Menu; select **X** to return to the previous header and exit to the Setup Menu.

Replace Printer Paper

To install a new paper roll in the printer:

1. Remove the cover on the printer by pulling out on the tab as shown in Figure 10.
2. Remove the paper core.
3. Install the new roll of paper with the end of the paper at the top of the roll.
4. Assemble the cover onto the printer with the leading edge of the paper over the roller.

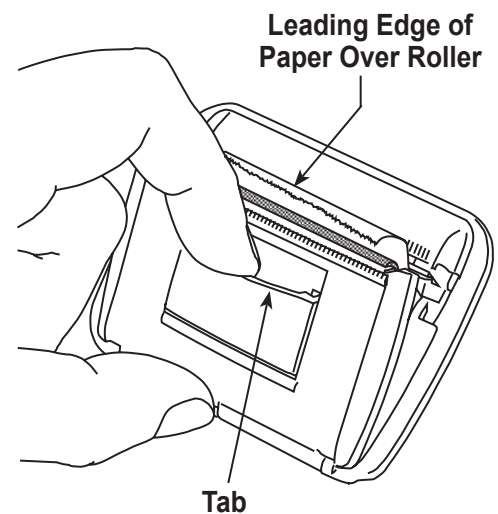


Figure 10

Maintenance

Install a Printer

1. Turn **OFF** the machine and disconnect it from its power source.
 2. Remove the oil drain bottle.
 3. Remove the screws holding the shroud. See Figure 6.
 4. Hang the shroud on the back of the machine as shown in Figure 7.
 5. Remove the two screws on the top corners of the control panel, allowing the control panel to swivel forward.
 6. Remove the cap from the printer location cutout by pressing on the cap's tabs from the back of the control panel and pushing the cap out of the panel.
 7. Remove the two locking arms from the printer by inserting the face of a flathead screwdriver under each tab near the back of its locking arm. Pry the tab outward while sliding the entire arm away from the printer.
 8. Place the printer into the cut-out area on the control panel. Press the face of the printer flush to the panel, oriented with the paper coming out at the top of the printer as shown in Figure 10.
 9. Replace the printer locking arms from within the inside of the control panel. Push them forward until they come into firm contact with the inside face of the control panel.
 10. Using the harness included with the printer, connect to the control board as shown in Figure 11. The wires are marked with their respective connector labels.
 11. Attach the two free connectors to the appropriate connectors on the back of the printer.
 12. Swivel the control panel back into place and fasten it using the two screws removed in Step 5.
 13. Assemble the shroud back onto the machine and install the screws removed in Step 3.
 14. Reinstall the oil drain bottle.
- The printer is now ready for use.

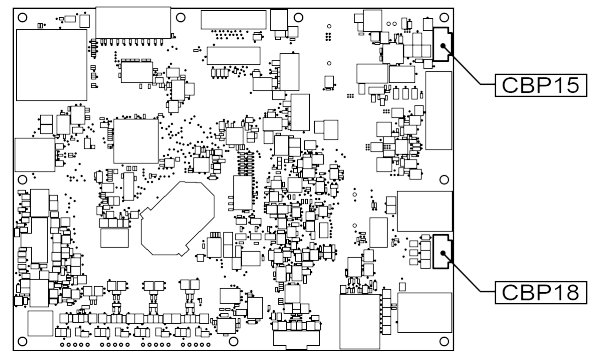



Figure 11

Replacement Parts

Component	Replacement Part No.
Calibration Weight	16214
Filter	34724
Oil Drain Bottle	19100
Printer	30038
Printer Paper (3 rolls)	34214
LP Service Coupler	18190A
HP Service Coupler	18191A
Service Coupler Set (high-side [red] and low-side [blue] couplers)	18192
Hose Set without Couplers (high-side [red] and low-side [blue])	71789
Service Hose without Coupler (low-side, blue)	70020
Service Hose without Coupler (high-side, red)	70021
Tank Fill Adapter	16301
Oil Injector (PAG)	18480
Oil Injector (POE)	18490
Vacuum Pump Oil (pint)	13119
Vacuum Pump Oil (quart)	13203
Vacuum Pump Oil (gallon)	13204
Vinyl Dust Cover (optional)	17499

 **WARNING:** To prevent personal injury, use only those repair parts called out in this parts list. Items found in this parts list have been carefully tested and selected by Robinair.

Glossary

A/C System : The vehicle air conditioning system being serviced.

Evacuation : Moisture and other non-condensables are removed from an A/C system by a vacuum pump.



Internal Storage Vessel (ISV) : The refillable refrigerant storage tank designed specifically for this machine; 10 kg (22 lb) capacity.

Machine : Model No. 34288NI.




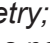
Recovery / Recycling : Refrigerant is recovered from an A/C system, filtered, and stored in the ISV.

Refrigerant : R-134a.

Troubleshooting

Display	Cause	Solution
CALIBRATION CHECK FAILED	Internal scale is out of calibration.	Select  to retry calibration check. If calibration continues to fail, exit current test and contact a Robinair authorized service center for repair.
CHARGE STALLED!	Refrigerant is stalled in the ISV or the machine.	Verify connections are secure and valves are in correct position.
DATABASE NOT AVAILABLE	Machine is not shipped with database installed.	Contact a Robinair authorized service center for more information.
EXCESS TANK WEIGHT	Overfill safety circuit tripped. Machine is locked out because of too much refrigerant in ISV.	Contact a Robinair authorized service center for more information.
FILTER CAPACITY EXHAUSTED, FILTER MUST BE REPLACED FILTER WEIGHT XXX.XYY REPLACE FILTER NOW?	68 kg (150 lb) or more refrigerant has been recovered since last filter change.	Refer to Filter Maintenance section of this manual for instructions to change filter.
FILTER SERIAL NUMBER HAS ALREADY BEEN USED. RE-ENTER OR EXIT	Filter serial number entered into the machine is not correct.	Filter has already been used on this machine. Obtain new Robinair filter No. 34724.
HIGH TANK PRESSURE	Machine is locked out because pressure in ISV is too high, possibly because of excessively high tank temperature.	Allow machine to cool before performing additional A/C service. If problem continues, contact a Robinair authorized service center for more information.
INLET PRESSURE IS TOO HIGH FOR VACUUM	Before the machine begins evacuating the A/C system, it checks for pressure in the system that could damage the vacuum pump. In this case, system pressure is above 0.62 bar gauge (9 psi).	Select  . Refer to Recover section of this manual to recover refrigerant before proceeding.
INSUFFICIENT REFRIGERANT AVAILABLE FOR CHARGE SELECTED: XX.XXYY AVAILABLE: XX.XXYY	After a desired weight is entered, if the charge process will leave less than 0.67 kg (1.4 lb) of refrigerant in ISV, the charge function will not start.	Refer to Tank Fill in the Maintenance section of this manual.

Troubleshooting

Display	Cause	Solution
INVALID CODE	Activation code entered into the machine is not correct.	Verify activation code is entered exactly as received. Capitalization is required.
INVALID SERIAL NUMBER!	Filter serial number entered into the machine is not correct.	Verify serial number entered matches serial number on filter. Verify filter has not been used on machine previously.
NO PRESSURE ON INLETS CHECK CONNECTIONS RECOVER ANYWAY?	System pressure is below 0.62 bar gauge (9 psi).	Verify high-side (red) and low-side (blue) hoses are connected and panel valves and coupler valves open. Select  to RECOVER; select  to bypass recover and proceed to VACUUM.
OIL DRAIN HALTED	The machine's internal conditions have caused the oil drain process to take an excessive amount of time.	Select  to retry; select  to exit. If retry does not resolve the issue and ISV contains at least 0.67 kg (1.4 lb) of refrigerant, contact an authorized Robinair service center.
OUT OF RANGE ACCUMULATOR PRESSURE	Accumulator pressure transducer is reading pressure outside of normal operating range.	Exit current test and contact a Robinair authorized service center for more information.
OUT OF RANGE ISV PRESSURE	Internal storage vessel pressure transducer is reading pressure outside of normal operating range.	Exit current test and contact a Robinair authorized service center for more information.
OUT OF RANGE ISV TEMPERATURE	Internal storage vessel temperature sensor is reading temperature outside of normal operating range.	Exit current test and contact a Robinair authorized service center for more information.
POWER BOARD COMMUNICATION FAILED	Communication error between control boards within the machine.	Cycle power. If problem continues, contact an authorized Robinair service center for more information.
SOURCE TANK IS EMPTY	Refrigerant cannot be transferred to the ISV.	If all connections and valve positions have been verified, exit current test and replace the source tank.

Troubleshooting

Display	Cause	Solution
TANK FULL. REMOVE REFRIGERANT BEFORE CONTINUING	ISV is too full to recover additional refrigerant.	<i>Perform a charge process to remove refrigerant from ISV before any further recovery attempts.</i>
TRIAL PERIOD EXPIRED UNIT ACTIVATION REQUIRED TO CONTINUE USE	Failure to register and activate the machine within 30 days of initial startup will cause the machine to lock out and no longer function.	<i>Select ✓ and refer to Unit Activation section in this manual to register the machine.</i>

Storage and Transportation of Equipment

Storage

Never leave the machine live if an immediate use is not scheduled.

1. Disconnect the machine from its power supply.
2. Loop the service hoses around the handle twice and attach them to the storage ports. See Figure 12.
3. Store the machine in a dry, stable area, away from flames and hot surfaces. The temperature of the storage area should range between -18°C and 60°C (0°F and 140°F).
4. Lock the front wheels.

Transportation of Equipment

! **WARNING:** To prevent personal injury, should the machine require transport to a Robinair service center, follow local government regulations regarding transportation of equipment containing R-134a.

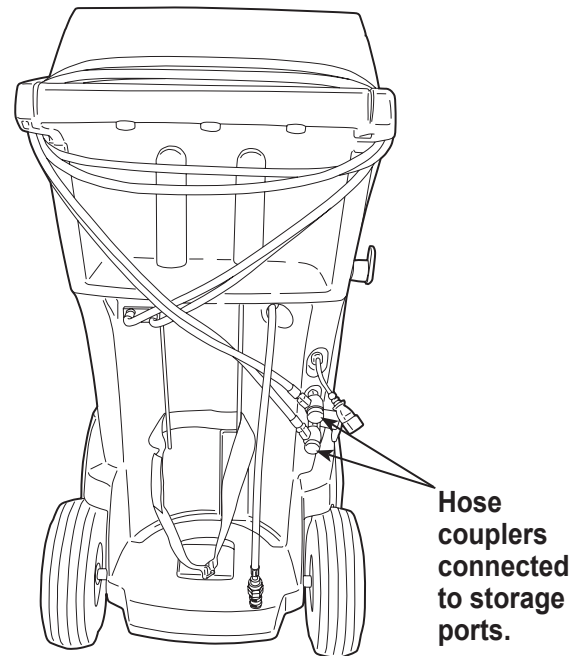


Figure 12

Disposal of Equipment



At the end of its useful life, dispose of the R-134a machine according to current government regulations.

- Public administration and producers of electrical / electronic equipment (EEE) are involved in facilitating the processes of the re-use and recovery of waste electrical / electronic equipment through the organization of collection activities and the use of appropriate planning arrangements.
- Do not dispose of this equipment as miscellaneous solid municipal waste. Arrange to have it collected separately. Unauthorized disposal of waste electrical / electronic equipment is punishable by law with appropriate penalties.
- The reuse and correct recycling of electrical / electronic equipment (EEE) is required for the protection of the environment and the well-being of humans.

Disposal of Recycled Materials

It is the responsibility of the user to determine if a material is a hazardous waste at the time of disposal. The user must ensure compliance with all applicable laws and regulations.

1. Deliver the refrigerant recovered from A/C systems to gas suppliers for recycling or disposal.
2. Deliver the lubricants extracted from A/C systems to used oil collection centers.
3. Review the laws in your jurisdiction to determine correct disposal procedures for pump oil.

Disposal of the Machine

1. Detach and vent the gas from the machine circuit. Completely discharge the refrigerant tank in compliance with current government regulations.
2. Deliver the machine to an appropriate disposal center.

Disposal of Batteries



At the end of their useful life, dispose of batteries according to current government regulations. Batteries must be recycled or disposed of correctly. Do not throw away batteries as part of normal refuse disposal.



WARNING: To prevent personal injury, do not throw batteries into open flame.

Software License Notices

BOSCH AUTOMOTIVE SERVICE SOLUTIONS SOFTWARE LICENSE NOTICES

Copyright © 2014 Robert Bosch GmbH. All Rights Reserved.

Bosch Automotive Service Solutions
28635 Mound Road
Warren
MI 48092
USA

Phone numbers
USA 800-533-6127
EMEA +49 (0) 6182 959-225

This Bosch Automotive Service Solutions software is released under the software license agreement presented at product activation.

All other products or service names are the property of their respective owners.

Registered trademarks of their respective companies and are hereby acknowledged.

The following notices pertain to this Bosch Automotive Service Solutions software license:

1. This product contains IAR Standard libraries. IAR software license agreement is reported below and located at http://www.iar.com/Global/Products/Software_licenses/SLA_February_2013.pdf.
IAR standard library includes third party software as declared in the third party licenses document reported below and located at
http://www.iar.com/Global/Products/Software_licenses/3rdpartyLicenses.html
2. This product contains LibTomCrypt is a fairly comprehensive, modular and portable cryptographic toolkit that provides developers with a vast array of well known published block ciphers, one-way hash functions, chaining modes, pseudo-random number generators, public key cryptography and a plethora of other routines. <http://www.libtom.org>. LibTomCrypt is public domain. As should all quality software be. Tom St Denis
3. This product contains Freescale software as part of the Freescale microcontroller BSP. Refer to the Freescale Semiconductor License Agreements for the use terms below reported and located at https://www.freescale.com/webapp/sps/download/license.jsp?colCode=DL-MQX-CX&prodCode=MQX&appType=file2&location=null&DOWNLOAD_ID=null&fsrch=1&sr=1&pageNum=1&Parent_nodId=&Parent_pageType

IAR Software License Agreement

Concerning the Products: IAR Embedded Workbench® and visualSTATE® from IAR Systems AB

PREAMBLE

THIS SOFTWARE LICENSE AGREEMENT (“THE AGREEMENT”) APPLIES TO PRODUCTS LICENSED BY IAR SYSTEMS AB INCLUDING ANY OF ITS SUBSIDIARIES (“IAR SYSTEMS”) OR DISTRIBUTORS (“IAR DISTRIBUTORS”), TO YOU (“THE LICENSEE”).

The order confirmation from IAR Systems, or when applicable the agreement between IAR Systems and the Licensee, will set out, apart from the applicable licensed product and license fee (which will also be stated in the Invoice), a) if the License in question is a PC-locked License or a Multi-user License, b) in case of a Multi-user License with the allowed number of simultaneous users, c) if the license includes a time limited Support and Update Service and in such cases the expiry date of such service. Any opening of a package where these terms have been stated or referred to, and any use of IAR Systems software, is subject to these terms and conditions.

YOU AS A USER OF THE LICENSED PRODUCTS STATED ABOVE AND ON THE INVOICE, WILL BIND THE CORPORATION OR ORGANIZATION ALSO SET OUT ON THE INVOICE TO THIS AGREEMENT, BY OPENING OF A PACKAGE OR INSTALLING SOFTWARE WHERE THIS AGREEMENT HAS BEEN STATED OR REFERRED TO. IF YOU ARE NOT IN AGREEMENT WITH THE TERMS HEREIN, OR DO NOT HAVE THE AUTHORITY TO BIND YOUR CORPORATION OR ORGANIZATION TO THESE TERMS, YOU SHALL IMMEDIATELY CONTACT IAR SYSTEMS AND YOU MAY NOT INSTALL ANY SOFTWARE OR MAKE USE OF ANY PARTS OF THE PRODUCT.

1. DEFINITIONS

The following terms have the meanings set forth below whenever they are used in this Agreement:

- 1.1 **“Executable Software”** means a copy of the executable code version of the software program(s) included in the enclosed package or otherwise specified in this Agreement or Invoice (including any link-time and runtime modules), along with templates and other instructions and any Software updates, revisions, and additional modules and templates (if any) that the Licensee may receive from IAR Systems hereunder from time to time.
- 1.2 **“Software Source Code”** has the meaning set out in section 3.7.
- 1.3 **“Software”** is a collective term for Executable Software and Software Source Code as defined above.
- 1.4 **“Documentation”** means a copy of the documentation, as provided by IAR Systems together with the Software for use by the Licensee.
- 1.5 **“Product”** means the Software and Documentation licensed to the Licensee under the conditions of this Agreement.
- 1.6 **“Invoice”** means IAR Systems’ or IAR Distributor’s invoice to the Licensee for the Product license granted hereunder.
- 1.7 **“PC-locked License”** has the meaning set out in section 3.2.
- 1.8 **“Mobile License”** has the meaning set out in section 3.3.
- 1.9 **“Multi-user License”** has the meanings set out in section 3.4.
- 1.10 **“Network License”** has the meanings set out in section 3.5.
- 1.11 **“Global Network License”** has the meanings set out in section 3.6.
- 1.12 **“Concurrent Users”** has the meaning as set out in section 3.7.
- 1.13 **“Commuter license”** has the meaning as set out in section 3.8.
- 1.14 **“Evaluation License”** has the meanings set out in section 3.12.
- 1.15 **“Site”** means the physical premises of the Licensee within the borders of one city.
- 1.16 **“Target Architecture”** means the family or group of embedded micro-controller and micro-processor devices belonging to one processor architecture, as defined by its instruction set, and as specified on the Invoice.
- 1.17 **“Support and Update Services”** means the services set out in section 12.

2. TERM OF AGREEMENT

- 2.1 This Agreement shall become effective on the latest at the Licensee’s receipt of the Software and shall remain in effect for an indefinite period in time, subject to the terms and conditions set out below – in particular the right of IAR Systems to terminate the Agreement upon Licensee’s breach. Registration of the Licensee as a rightful user of Licensed Products shall be made in accordance with applicable instructions from IAR Systems.
- 2.2 For the avoidance of doubt: Also for Software delivered with a temporary license key (for some products called quick start key) enabling use for a limited time, the Agreement terms have become effective, including but not limited to its payment terms and use restrictions, already upon the Licensee’s receipt of the Software, regardless of whether registration is made or not. (Evaluation licenses without obligation to pay license fees, are available to the extent separately provided by IAR Systems.)

3. OWNERSHIP AND LICENSE GRANT

- 3.1 IAR Systems holds the copyright, trade secrets, and any other intellectual property rights which subsist in the Licensed Product and all copies thereof. No title or other rights in the Licensed Product (other than rights expressly granted herein) shall pass to the Licensee.

THE PRODUCT IS LICENSED, NOT SOLD, TO THE LICENSEE FOR USE ONLY UNDER THE TERMS OF THIS AGREEMENT. THE LICENSEE ACKNOWLEDGES THAT THE PRODUCT CONSISTS OF PROPRIETARY, UNPUBLISHED PRODUCTS OF IAR SYSTEMS, PROTECTED UNDER INTERNATIONAL COPYRIGHT AND TRADE SECRET LAWS.

IAR Software License Agreement

3.2 PC-locked License: To the extent the relevant license granted is a PC-locked License, the terms in 3.2.a and 3.2.b shall apply.

A PC-locked License is a single-user license, locked to the computer where the software is installed.

3.2.a Subject to the terms and conditions of this Agreement, IAR Systems hereby grants to the Licensee a personal, non-transferable and non-exclusive PC-locked License to use the Software. The Licensee's number of authorized users of the Software under the PC-locked License, if more than one, is stated in the Invoice or otherwise in writing from IAR Systems.

3.2.b The PC-locked License may be used by the Licensee only on one single, self-contained computer unit (stationary or portable), designated through its IP number or other means of identification. A switch of the designated computer to another single computer may be allowed to transfer the license via a transfer program provided by IAR Systems within the license management system. The Software may not be accessed by users from other computer units than the unit designated as set forth in this clause; through modem, Internet or any other means of network or remote access.

3.3 Mobile License: To the extent the relevant license granted is a Mobile License, the terms in 3.3.a and 3.3.b shall apply.

A Mobile License comes with a hardware lock (dongle). A hardware lock is a device to be attached to one of the computer's external ports, which allows the Licensee to move the license to another computer. A hardware lock is part of the product package only to the extent explicitly ordered.

3.3.a Subject to the terms and conditions of this Agreement, IAR Systems hereby grants to the Licensee a personal, non-transferable and non-exclusive Mobile License to use the Software. The Licensee's number of authorized users of the Software under the Mobile License, if more than one, is stated in the Invoice or otherwise in writing from IAR Systems.

3.3.b The Mobile License may be used by the Licensee only for one single user, but with the right to a switch of the designated computer to another single computer using a hardware lock. The Software may not be accessed by users from other computer units than the unit designated as set forth in this clause; through modem, Internet or any other means of network or remote access.

3.4 Multi-user License: To the extent the Product license granted is a Multi-user License, the terms in this 3.4 shall apply.

Subject to the terms and conditions of this Agreement, IAR Systems hereby grants to the Licensee a personal, non-transferable and non-exclusive Multi-user License to use the Software. The Licensee's number of authorized users of the Software under the Multi-user License, if more than one, is stated in the Invoice or otherwise in writing from IAR Systems or IAR Distributors.

3.5 A Network License is a Multi-user License, located on a single designated license server and used by multiple users on a network and on one Site only. The Network License is locked either to the computer where the license server software runs, or to a hardware lock (dongle). The use of a hardware lock allows to move the Network License to another server computer, in case of server failure. The Network License can be used on all client computers on the network where the Software is installed. However, the Network License is made for a maximum number of concurrent users.

3.6 A **Global Network License** is a Multi-user License, located on a license server and used by multiple users on a network that can be accessed from multiple Sites globally. The Global Network License is locked either to the computer where the license server software runs, or to a hardware lock (dongle). The use of a hardware lock allows to move the Global Network License to another server computer, in case of server failure. The Global Network License can be used on all client computers on the network where the Software is installed. However, the Global Network License is made for a maximum number of concurrent users.

3.7 Concurrent Users: For Products that are Executable Software and licensed as Network Licenses, the definition of concurrency is given by the license server software, which also keeps track of the number of current of users. A user session of an Executable Software is always a minimum of thirty (30) minutes, and is deemed to last for additional thirty (30) minutes after the last license activation by the license server. For Products including Software Source Code, the software shall be deemed in (concurrent) use on a computer when it is loaded into temporary memory (i.e. RAM) or installed into permanent memory (e.g., hard disk, CD-ROM, or other storage device) of that computer.

3.8 Commuter licensing: For Products released 2012 and later including a new license management system (LMS) a commuter license is granted. Commuter licensing permits a temporary use of a network license on a personal computer not connected to the network for up to 15 days. The commuter license permits the use of the Product outside the designated Site.

3.9 Source Code License: If the Product Licensee receives hereunder contained software modules or components in source code format ("Software Source Code"), the following shall apply to such Software Source Code, in addition to all other provisions of this Agreement:

The Licensee may use such Software Source Code only in conjunction with the Product and the Software Source Code or any derivative works thereof. The Software Source Code may only be compiled and linked with products

IAR Software License Agreement

from IAR Systems, and only in accordance with the provisions on such use set out in the Documentation and/or this Agreement. The Licensee is strictly prohibited to make any other use of the Software Source Code. Any breach of this Section 3.9 shall be considered a material breach of this Agreement.

THE LICENSEE ACKNOWLEDGES THAT THE SOFTWARE SOURCE CODE EMBEDS COPYRIGHTED AND PROPRIETY INFORMATION OF IAR SYSTEMS, AND THAT MAKING SOFTWARE SOURCE CODE ACCESSIBLE TO OTHERS OUTSIDE THE SCOPE OF THIS AGREEMENT, BY THE NATURE OF SOURCE CODE, SEVERELY DAMAGES THE INTELLECTUAL PROPERTY RIGHTS OF IAR SYSTEMS, AND AGREES TO COMPENSATE IAR FOR ALL DAMAGE RESULTING FROM SUCH BREACH, THAT CAN BE REASONABLY SUBSTANTIATED BY IAR. The Licensee shall keep and protect the Software Source Code with at least the same degree of care as its own proprietary source code, as further specified in section 5.

3.10 If the Product the Licensee receives hereunder contains Third Party-Owned software, the use of such Third Party-Owned software may be restricted to a specific Target Architecture. See Section 11.2 below.

3.11 Back-up Copies: The Licensee may make back-up copies of the Software in machine executable code form, only to be used in the event and to the extent that the copy of the Software received from IAR Systems fails to function, is lost, damaged, or destroyed. The Licensee warrants that it will make no other copies of the Software and will not allow, authorize, or assist others to copy any part or all of the Software in any form without the prior written approval of IAR Systems. There may be no more copies than are necessary to form part of a reasonable back-up cycle for the Licensee. Back-up copies of the Software may be kept by the Licensee in a bank deposit or other such secure place as is normally used by the Licensee for storage of its computer program back-ups. The rights for the Licensee under this section shall not in any case include any measures to affect or decrease the function of the software protection included in the software.

3.12 An **Evaluation License** is solely intended for testing and evaluation purposes. Any other use than for testing and evaluation is prohibited. IAR Systems has no obligation to provide support or related services and no warranties. IN NO EVENT SHALL IAR SYSTEMS BE LIABLE TO THE OTHER FOR ANY DIRECT, INDIRECT, INCIDENTAL, SPECIAL, CONSEQUENTIAL, PUNITIVE OR TORT DAMAGES OF ANY NATURE OR KIND WHATSOEVER, INCLUDING BUT NOT LIMITED TO LOST PROFITS, IN CONNECTION WITH OR ARISING OUT OF THE USE OR PERFORMANCE OF SOFTWARE, SUPPORT MATERIALS, OR THE PROVISION OF SERVICES, EVEN IF THE OTHER PARTY HAS BEEN ADVISED OF THE POSSIBILITY OF SUCH DAMAGES.

Section 11 in this Software License Agreement may also apply to an Evaluation License.

4. LICENSE RESTRICTIONS

4.1 The Licensee may not remove, make emulation, reverse engineer, decompile, or disassemble the Executable Software. Licensee is not allowed to derive the source or assembly code of files provided in executable or object formats. The Licensee accepts that all information gained about the Software is the valuable intellectual property of IAR Systems and as such must be treated as confidential as described under Article 5. The Licensee warrants that it will not sell, license, lease, rent, loan, lend, transmit, network, communicate, or otherwise distribute or transfer the Software in any manner to any third party whether on a permanent or temporary basis, except as explicitly stated in this Agreement. Furthermore the Licensee warrants that it will not use or permit the use of (including without limitation by time sharing or network use) the Software for the benefit of any entity other than the Licensee; or in a computer service business; make unauthorized copies of the documentation; make verbal or media translations of the documentation; make telecommunications data transmissions of the Software; use long-haul gateways on any central processing unit on which the Software is used. The Licensee is also expressly prohibited from adapting, modifying, revising, improving, upgrading, enhancing, and creating derivative works of the Executable Software for any purpose including error correction or any other type of maintenance.

4.2 The Licensee shall keep records of the Licensee's use of Software. The Licensee shall make the records available to either IAR Systems or a neutral third party on reasonable notice, as agreed between the parties. In the case of a neutral third party audit, IAR Systems and Licensee shall in good faith mutually appoint an auditor. Should such an agreement not be reached within 60 days after IAR Systems notice, then the parties agree to have Business Software Alliance conduct such an audit, or itself elect an auditor. The Licensee will permit IAR Systems or a third party, as the case may be, to have access to the Licensee's records and computer systems and to use software audit tools on the Licensee's systems to ensure that the Licensee is using its software in accordance with the applicable license terms. Upon the Licensee's request, the party conducting the audit with the Licensee shall enter into a non-disclosure agreement with the Licensee, to protect the Licensee's propriety and/or confidential information. Information retrieved and/or conveyed to IAR Systems as a result of such an audit as here described shall be limited as to only ensure that the Licensee is using its software in accordance with the applicable license terms, or evidence of the contrary.

4.3 Subject to the other terms herein, and with the Licensee as fully responsible for all actions or omissions of such a consultant, Licensee may let a consultant use the Software for work solely on behalf of the Licensee for the licensed purpose and provided that the Software is not used for any other purpose or third party.

4.4 Upon each and every breach by the Licensee hereunder a contractual penalty amounting to 200% for breach

IAR Software License Agreement

under sections 3.2, 3.3, 3.4, 3.5, 3.6, 3.11, 4.1 or 4.3 and 1000% for breach under section 3.8 of the applicable licensee fee under the relevant Invoice is payable by the Licensee to IAR Systems. In case IAR Systems' actual damage due to the breach would exceed this amount, also the remainder shall be paid by the Licensee, see also Section 3.8.

5. CONFIDENTIALITY

5.1 The Licensee agrees that all material and information relating to the Software is made available for the use solely under and in accordance with this Agreement. The Licensee has no right at any time during or after cancellation or termination of this Agreement to disclose such material and/or information relating to the Software, whether directly or indirectly, to any third party without IAR Systems' prior written approval. The Licensee shall hold harmless, defend, and indemnify IAR Systems from and against any and all losses, costs, damages, and expenses arising out of or in connection with the Licensee's failure to comply with requirements of this Article 5. The Licensee's confidentiality obligations hereunder shall survive cancellation or termination, for any reason, of this Agreement.

6. PAYMENT TERMS AND CONDITIONS

6.1 In consideration of the rights granted and services rendered by IAR Systems under this Agreement, the Licensee shall pay the license fees for the Software as specified in the Invoice. Payments are to be made according to the payment schedule stated in the Invoice, or if not stated, invoices are payable within 30 days of the invoice date.

6.2 If the Licensee fails to effect payment within the stipulated time, IAR Systems or IAR Distributors shall be entitled to a) charge interest after due date as stated in the Invoice, or if not stated in the invoice, the interest charged will be the reference rate set by Sweden's central bank (the Riksbank) + 8%. b) postpone the fulfilment of any of its own obligations until payment is made, and/or c) terminate the Agreement by notice in writing to the Licensee and recover from the Licensee any and all loss incurred.

6.3 All prices are exclusive of, and the Licensee is responsible for, all fees and taxes, including custom duties, importation fees, sales, use, withholding, gross revenue, and like taxes, dues, and charges assessed or incurred in connection with the provision of goods and services under this Agreement.

7. LIMITED WARRANTY

7.1 IAR Systems warrants that the media on which the Software is recorded upon receipt by the Licensee will be free from defects in materials and faulty workmanship under normal use for a period of ninety (90) days from the date of delivery to the Licensee. During this warranty period IAR Systems will, at its option, after its receipt of the media in return, repair or replace, free of charge, defective media upon which the Software was supplied and record a copy of the Software on the repaired or replacement media. Said repair or replacement shall be the Licensee's exclusive remedy under this media warranty. Notwithstanding the foregoing, IAR Systems shall have no responsibility to repair or replace a media which, in IAR Systems' opinion, has been damaged by the Licensee by accident, abuse, or as a result of attempted self-maintenance service.

7.2 IAR Systems does not warrant that the Software will meet the Licensee's requirements or that the operation of the Software will be uninterrupted and error free. The Licensee is solely responsible for the selection of the Software to achieve its intended results or for the results actually obtained.

7.3 The above warranty does not apply to conditions resulting from improper use, external causes, including service or modifications not performed by IAR Systems or a contractor appointed by IAR Systems, or operation outside the specified environmental parameters. IAR Systems will not be responsible for operation of the Software other than on the host equipment specified in the Invoice and in conjunction with the operating environment designated for each version of the Software. Minor deviations from the above warranty, which are of little importance for the intended use of the Software and which do not cause more than minor inconvenience for the Licensee shall not be considered as breaches of the above warranty.

7.4 THE ABOVE WARRANTY IS IAR SYSTEMS' ONLY WARRANTY WITH REGARD TO THE SOFTWARE AND THIS AGREEMENT AND, SAVE AS PROVIDED IN THIS AGREEMENT, NO OTHER WARRANTY OR CONDITION, EXPRESSED OR IMPLIED, WILL APPLY, AND THE LICENSEE WILL NOT RAISE ANY OTHER CLAIMS BASED ON THE PERFORMANCE OR LACK OF PERFORMANCE OF THE SOFTWARE. IAR SYSTEMS SPECIFICALLY EXCLUDES ALL OTHER WARRANTIES, REPRESENTATIONS OR UNDERTAKINGS, EXPRESS, IMPLIED OR STATUTORY, INCLUDING BUT NOT LIMITED TO ANY IMPLIED WARRANTIES OF MERCHANTABILITY OR FITNESS FOR A PARTICULAR PURPOSE, ABILITY TO ACHIEVE A PARTICULAR RESULT, OR OF ANY OTHER WARRANTY OBLIGATION ON THE PART OF IAR SYSTEMS.

7.5 IAR Systems expressly disclaims any liability for any hardware or software solutions at the Licensee which may affect the performance of the Software, including but not limited to network configurations.

7.6 The provisions of this Article 7 shall survive any expiration or termination of this Agreement.

8. INTELLECTUAL PROPERTY INFRINGEMENT

8.1 IAR Systems will in the way set out in 8.2, and subject to all limitations therein, act on any action brought against the Licensee to the extent it is based on a claim that the Software as it exists on the date of the Invoice infringes any patent or copyright duly issued under the laws of the country under which IAR Systems or the

IAR Software License Agreement

Licensee is organized.

8.2 IAR Systems shall, in the way set out below, as sole remedy, act on a third-party claim that the Software infringes the intellectual property rights of such party, provided that IAR Systems is given prompt notice of such claim and is given information, reasonable assistance, and sole authority to defend or settle the claim. IAR Systems may at its option obtain the right for the Licensee to continue using the infringing IAR Product, replace or modify the infringing Product until it becomes non-infringing, or if such replacement or modification is not reasonably available, terminate this license with respect to the infringing Product and provide for a reasonable refund of fees paid by the Licensee to IAR Systems for the IAR Product so affected.

8.3 IAR Systems shall not have any liability if the alleged infringement arises out of unauthorized use of the Software, postdelivery, non-IAR Systems modifications, or the combination with other products or devices not furnished by IAR Systems. **THE OBLIGATIONS STATED IN THIS SECTION ARE IAR SYSTEMS' SOLE LIABILITIES AND THE LICENSEE'S SOLE REMEDIES FOR INFRINGEMENT OF PATENTS AND COPYRIGHTS. FOR THE AVOIDANCE OF DOUBT: THE LIABILITY OF IAR SYSTEMS UNDER THIS SECTION 8 MAY NEVER EXCEED THE LICENSE FEE PAID BY THE LICENSEE.**

9. FORCE MAJEURE

9.1 Either party shall be excused from fulfilment of any obligation under this Agreement only to the extent that and for so long as such performance is prevented or delayed by an industrial dispute or any other cause beyond its reasonable control, such as, but not limited to, riots; floods; war; warlike hostilities; fires; embargo; shortage of labor, power, fuel, means of transportation, or common lack of other necessities. A party wishing to claim relief under this Article shall forthwith notify the other party in writing on the intervention and on the cessation of such circumstance.

10. LIMITATION OF LIABILITY

10.1 THE USE OF THE SOFTWARE AND ALL CONSEQUENCES ARISING THEREFROM IS THE SOLE RESPONSIBILITY OF LICENSEE. IAR SYSTEMS SHALL NOT BE LIABLE TO THE LICENSEE FOR ANY LOSS OR DAMAGE CAUSED ARISING DIRECTLY OR INDIRECTLY IN CONNECTION WITH THE SOFTWARE, THE USE OF THE SOFTWARE, OR OTHERWISE.

10.2 IAR SYSTEMS' LIABILITY VIS-À-VIS THE LICENSEE UNDER THIS AGREEMENT SHALL UNDER ALL CIRCUMSTANCES BE LIMITED TO FIFTY (50) PER CENT OF THE LICENSE FEE FOR THE SOFTWARE PAID BY THE LICENSEE HEREUNDER, PROVIDED HOWEVER THAT IF SECTION 8 IS APPLICABLE THE TOTAL LIABILITY OF IAR SYSTEMS HEREUNDER MAY INSTEAD NEVER EXCEED 100% OF THE LICENSE FEE PAID BY THE LICENSEE HEREUNDER FOR SUCH SOFTWARE.

10.3 IAR SYSTEMS SHALL IN NO EVENT BE LIABLE TO THE LICENSEE UNDER THIS AGREEMENT FOR ANY SPECIAL, INDIRECT, INCIDENTAL, OR CONSEQUENTIAL DAMAGES UNDER ANY LEGAL THEORY, SUCH AS LOSS OF DATA, USE AND/OR PROFITS, BUSINESS INTERRUPTION OR DOWNTIME COSTS AND CAPITAL COSTS OR CLAIM OF THIRD PARTY, WHETHER ON ACCOUNT OF DEFECTS, PERFORMANCES, NON-PERFORMANCES, DELAYS, PERSONAL INJURIES, PROPERTY DAMAGES, OR OTHERWISE, REGARDLESS WHETHER IAR SYSTEMS HAS BEEN ADVISED OF THE POSSIBILITY OF SUCH DAMAGES.

10.4 NOTHING IN THIS AGREEMENT SHALL EXCLUDE OR LIMIT THE LIABILITY UNDER APPLICABLE COMPULSORY LAW OF IAR SYSTEMS FOR DEATH OR PERSONAL INJURY RESULTING FROM ITS NEGLIGENCE.

10.5 The provisions of this Article 10 shall survive the cancellation or termination of this Agreement.

11. THIRD PARTY RIGHTS

11.1 The IAR Embedded Workbench for Eclipse includes Eclipse Materials. This License does not apply to such Eclipse Material and this is not included in the term "Software" under this License. You agree to comply with all terms and conditions imposed on you in respect of such Eclipse Materials.

11.1.1 The Eclipse Materials are licensed under the terms of the Eclipse Public License (EPL), Version 1.0, a copy of which is included in the Eclipse Materials and also available at <http://www.opensource.org/licenses/eclipse-1.0.php>.

11.2 The IAR Embedded Workbench may include Third Party-Owned software. In addition to all other provisions of this License the Third Party-Owned software shall also be subject to the supplemental terms and conditions governing such Third Party-Owned software. These supplemental terms add to the terms of this License and shall supersede any inconsistent or conflicting terms in this License as they pertain to the Third Party-Owned software. If the Product the Licensee receives hereunder contains Third Party-Owned software the Licensee agree to comply with all terms and conditions imposed on you in respect of such Third Party-Owned software.

11.2.1 The Third Party-Owned Software is subject to the additional terms of each Third Party and a copy of these supplemental terms is available at <http://www.iar.com/en/products/software-licenses>.

12. SUPPORT AND UPDATE AGREEMENT (SUA)

12.1 Excluding what is specified in Section 12.2 and/or Section 7 of this Agreement, this Agreement does not grant the Licensee any right whatsoever to any improvements, modifications, enhancements or updates to the Software, or any other support services relating to the Software.

12.2 To the extent that the license granted includes a time-limited Support and Update Service, the Licensee

IAR Software License Agreement

will be entitled to the services defined in the Support and Update Agreement (“SUA”) attached hereto. In the case that the license granted does not include Support and Update Services or in the case where such services have expired, the Licensee may, depending on the nature of the granted license, purchase additional periods of Support and Update Services

12.3 Use of improvements, modifications, enhancements or updates received by the Licensee under IAR Systems’ Support and Update Agreement (SUA) or received under Section 7 of this Agreement, shall be governed by the terms and conditions contained herein.

13. TERMINATION OF THE AGREEMENT

13.1 IAR Systems shall have the right to terminate this Agreement with immediate effect if the Licensee is in breach of any of its obligations under this Agreement, including, but not limited to (a) use of the Software in any manner other than pursuant to the rights granted in Article 3 and 4, (b) breach of the confidentiality provisions of Article 5, or (c) failure of the Licensee to remit payments as provided in Article 6.

13.2 This Agreement will terminate immediately without notice if Licensee suspends its payments, becomes bankrupt or insolvent or enters into liquidation or otherwise can be regarded as insolvent.

13.3 Upon IAR Systems’ termination of this Agreement, as set out in this Article, then, IAR Systems may, at its option, and in addition to any other rights hereunder, and in addition to any other remedies available to IAR Systems under the law, in writing require the Licensee to return or destroy all versions of the Software and the Documentation and any and all documentation relating thereto on any media and in any form in Licensee’s possession. Licensee shall give a written confirmation to IAR Systems that all material related to the Software and its operation has been returned to IAR Systems or destroyed. The provisions of this Section 13.3 shall survive the cancellation or termination of this Agreement.

14. EXPORT CONTROL REGULATIONS

14.1 The Software and the Documentation is subject to export or import regulations in various countries, including the regulations of the United States Export Administration Act. The Licensee hereby agrees that the Licensee will not knowingly (a) export or reexport, directly or indirectly, any product or technical data or any controlled products restricted by applicable national regulations, including software, received from IAR Systems under this agreement, (b) disclose such technical data for use in, or (c) export or reexport, directly or indirectly, any direct product of such technical data or of such other controlled products, including software, to any destination to which such export or reexport is restricted or prohibited by U.S. or applicable non-U.S. law, without obtaining prior written consent of IAR Systems.

15. MISCELLANEOUS

15.1 This Agreement shall not in any situation be assignable or transferable in whole or in part by either party, without the prior written approval of the other party. This notwithstanding, IAR Systems shall be entitled to assign this Agreement in whole or in part to a company within the IAR Systems Group, and IAR Systems may assign this Agreement without penalty or detriment to its rights under this Agreement, and without the Licensee’s prior written consent, in the event of a merger or similar reorganization or sale of substantially all of IAR Systems’ assets.

15.2 No alteration or amendment to this Agreement shall be valid unless such alteration or amendment is made in writing and signed by the parties hereto.

15.3 Any notice or other communication under this Agreement shall be made in writing either by hand or by telefax (confirmed by airmail) or by certified or registered airmail first-class postage prepaid to the parties at the addresses stated in the Invoice (or at such other address a party may specify by written notice to the other).

15.4 This Agreement contains the entire understanding between the parties on its subject matter, and annuls and replaces any other agreements or understandings, whether written or oral, which may exist or have existed between the parties on the subject matter hereof.

15.5 This Agreement shall be governed by and construed in accordance with the substantive to the courts of the country in which IAR Systems is incorporated. Any dispute concerning this agreement or the interpretation or validity thereof, or any other dispute based thereon, shall be submitted to the courts of the country in which IAR Systems is incorporated.

15.6 The provisions of this Article 15 shall survive the cancellation or termination of this Agreement.

This document contains Third Party Software Notices and/or Additional Terms and Conditions for licensed third party software components included within IAR Systems software product **IAR Embedded Workbench**. These notices and/or additional terms and conditions are made a part of and incorporated by reference into the IAR Software License Agreement.

IAR Software License Agreement

1. Components used internally in IAR Embedded Workbench

Third Party Software	Notice/Terms
SCINTILLA	<p>License for Scintilla and SciTE Copyright 1998-2002 by Neil Hodgson. All Rights Reserved. Permission to use, copy, modify, and distribute this software and its documentation for any purpose and without fee is hereby granted, provided that the above copyright notice appear in all copies and that both that copyright notice and this permission notice appear in supporting documentation.</p> <p>NEIL HODGSON DISCLAIMS ALL WARRANTIES WITH REGARD TO THIS SOFTWARE, INCLUDING ALL IMPLIED WARRANTIES OF MERCHANTABILITY AND FITNESS, IN NO EVENT SHALL NEIL HODGSON BE LIABLE FOR ANY SPECIAL, INDIRECT OR CONSEQUENTIAL DAMAGES OR ANY DAMAGES WHATSOEVER RESULTING FROM LOSS OF USE, DATA OR PROFITS, WHETHER IN AN ACTION OF CONTRACT, NEGLIGENCE OR OTHER TORTIOUS ACTION, ARISING OUT OF OR IN CONNECTION WITH THE USE OR PERFORMANCE OF THIS SOFTWARE</p>
IBM ICU	<p>ICU License - ICU 1.8.1 and later COPYRIGHT AND PERMISSION NOTICE Copyright (c) 1995-2003 International Business Machines Corporation and others All rights reserved.</p> <p>Permission is hereby granted, free of charge, to any person obtaining a copy of this software and associated documentation files (the "Software"), to deal in the Software without restriction, including without limitation the rights to use, copy, modify, merge, publish, distribute, and/or sell copies of the Software, and to permit persons to whom the Software is furnished to do so, provided that the above copyright notice(s) and this permission notice appear in all copies of the Software and that both the above copyright notice(s) and this permission notice appear in supporting documentation.</p> <p>THE SOFTWARE IS PROVIDED "AS IS", WITHOUT WARRANTY OF ANY KIND, EXPRESS OR IMPLIED, INCLUDING BUT NOT LIMITED TO THE WARRANTIES OF MERCHANTABILITY, FITNESS FOR A PARTICULAR PURPOSE AND NONINFRINGEMENT OF THIRD PARTY RIGHTS. IN NO EVENT SHALL THE COPYRIGHT HOLDER OR HOLDERS INCLUDED IN THIS NOTICE BE LIABLE FOR ANY CLAIM, OR ANY SPECIAL INDIRECT OR CONSEQUENTIAL DAMAGES, OR ANY DAMAGES WHATSOEVER RESULTING FROM LOSS OF USE, DATA OR PROFITS, WHETHER IN AN ACTION OF CONTRACT, NEGLIGENCE OR OTHER TORTIOUS ACTION, ARISING OUT OF OR IN CONNECTION WITH THE USE OR PERFORMANCE OF THIS SOFTWARE.</p> <p>Except as contained in this notice, the name of a copyright holder shall not be used in advertising or otherwise to promote the sale, use or other dealings in this Software without prior written authorization of the copyright holder. All trademarks and registered trademarks mentioned herein are the property of their respective owners</p>

IAR Software License Agreement

<p>Apache</p>	<p>The Apache Software License, Version 1.1 Copyright (c) 1999-2003 The Apache Software Foundation. All rights reserved. Redistribution and use in source and binary forms, with or without modification, are permitted provided that the following conditions are met:</p> <ol style="list-style-type: none"> 1. Redistributions of source code must retain the above copyright notice, this list of conditions and the following disclaimer. 2. Redistributions in binary form must reproduce the above copyright notice, this list of conditions and the following disclaimer in the documentation and/or other materials provided with the distribution. 3. The end-user documentation included with the redistribution, if any, must include the following acknowledgment: "This product includes software developed by the Apache Software Foundation (http://www.apache.org/).” Alternately, this acknowledgment may appear in the software itself, if and wherever such third-party acknowledgments normally appear. 4. The names "Xerces" and "Apache Software Foundation" must not be used to endorse or promote products derived from this software without prior written permission. For written permission, please contact apache@apache.org. 5. Products derived from this software may not be called "Apache", nor may "Apache" appear in their name, without prior written permission of the Apache Software Foundation. <p>THIS SOFTWARE IS PROVIDED ``AS IS'' AND ANY EXPRESSED OR IMPLIED WARRANTIES, INCLUDING, BUT NOT LIMITED TO, THE IMPLIED WARRANTIES OF MERCHANTABILITY AND FITNESS FOR A PARTICULAR PURPOSE ARE DISCLAIMED. IN NO EVENT SHALL THE APACHE SOFTWARE FOUNDATION OR ITS CONTRIBUTORS BE LIABLE FOR ANY DIRECT, INDIRECT, INCIDENTAL, SPECIAL, EXEMPLARY, OR CONSEQUENTIAL DAMAGES (INCLUDING, BUT NOT LIMITED TO, PROCUREMENT OF SUBSTITUTE GOODS OR SERVICES; LOSS OF USE, DATA, OR PROFITS; OR BUSINESS INTERRUPTION) HOWEVER CAUSED AND ON ANY THEORY OF LIABILITY, WHETHER IN CONTRACT, STRICT LIABILITY, OR TORT (INCLUDING NEGLIGENCE OR OTHERWISE) ARISING IN ANY WAY OUT OF THE USE OF THIS SOFTWARE, EVEN IF ADVISED OF THE POSSIBILITY OF SUCH DAMAGE.</p> <p>This software consists of voluntary contributions made by many individuals on behalf of the Apache Software Foundation and was originally based on software copyright (c) 1999, International Business Machines, Inc., http://www.ibm.com. For more information on the Apache Software Foundation, please see http://www.apache.org/</p>
<p>LLVM</p>	<p>LLVM Release License University of Illinois/NCSA. Open Source License. Copyright (c) 2003-2011 University of Illinois at Urbana-Champaign. All rights reserved. Developed by: LLVM Team University of Illinois at Urbana-Champaign. http://llvm.org Permission is hereby granted, free of charge, to any person obtaining a copy of this software and associated documentation files (the "Software"), to deal with the Software without restriction, including without limitation the rights to use, copy, modify, merge, publish, distribute, sublicense, and/or sell copies of the Software, and to permit persons to whom the Software is furnished to do so, subject to the following conditions:</p> <p>* Redistributions of source code must retain the above copyright notice, this list of conditions and the following disclaimers. * Redistributions in binary form must reproduce the above copyright notice, this list of conditions and the following disclaimers in the documentation and/or other materials provided with the distribution. * Neither the names of the LLVM Team, University of Illinois at Urbana-Champaign, nor the names of its contributors may be used to endorse or promote products derived from this Software without specific prior written permission.</p> <p>THE SOFTWARE IS PROVIDED "AS IS", WITHOUT WARRANTY OF ANY KIND, EXPRESS OR IMPLIED, INCLUDING BUT NOT LIMITED TO THE WARRANTIES OF MERCHANTABILITY, FITNESS FOR A PARTICULAR PURPOSE AND NONINFRINGEMENT. IN NO EVENT SHALL THE CONTRIBUTORS OR COPYRIGHT HOLDERS BE LIABLE FOR ANY CLAIM, DAMAGES OR OTHER LIABILITY, WHETHER IN AN ACTION OF CONTRACT, TORT OR OTHERWISE, ARISING FROM, OUT OF OR IN CONNECTION WITH THE SOFTWARE OR THE USE OR OTHER DEALINGS WITH THE SOFTWARE..</p>

IAR Software License Agreement

<p>Boost C++ Libraries</p>	<p>Boost Software License - Version 1.0 - August 17th, 2003 Permission is hereby granted, free of charge, to any person or organization obtaining a copy of the software and accompanying documentation covered by this license (the "Software") to use, reproduce, display, distribute, execute, and transmit the Software, and to prepare derivative works of the Software, and to permit third-parties to whom the Software is furnished to do so, all subject to the following: The copyright notices in the Software and this entire statement, including the above license grant, this restriction and the following disclaimer, must be included in all copies of the Software, in whole or in part, and all derivative works of the Software, unless such copies or derivative works are solely in the form of machine-executable object code generated by a source language processor. THE SOFTWARE IS PROVIDED "AS IS", WITHOUT WARRANTY OF ANY KIND, EXPRESS OR IMPLIED, INCLUDING BUT NOT LIMITED TO THE WARRANTIES OF MERCHANTABILITY, FITNESS FOR A PARTICULAR PURPOSE, TITLE AND NON-INFRINGEMENT. IN NO EVENT SHALL THE COPYRIGHT HOLDERS OR ANYONE DISTRIBUTING THE SOFTWARE BE LIABLE FOR ANY DAMAGES OR OTHER LIABILITY, WHETHER IN CONTRACT, TORT OR OTHERWISE, ARISING FROM, OUT OF OR IN CONNECTION WITH THE SOFTWARE OR THE USE OR OTHER DEALINGS IN THE SOFTWARE.</p>
<p>Protocol Buffers</p>	<p>Protocol Buffers - Google's data interchange format Copyright 2008 Google Inc. All rights reserved. http://code.google.com/p/protobuf/ Redistribution and use in source and binary forms, with or without modification, are permitted provided that the following conditions are met: * Redistributions of source code must retain the above copyright notice, this list of conditions and the following disclaimer. * Redistributions in binary form must reproduce the above copyright notice, this list of conditions and the following disclaimer in the documentation and/or other materials provided with the distribution. * Neither the name of Google Inc. nor the names of its contributors may be used to endorse or promote products derived from this software without specific prior written permission. THIS SOFTWARE IS PROVIDED BY THE COPYRIGHT HOLDERS AND CONTRIBUTORS "AS IS" AND ANY EXPRESS OR IMPLIED WARRANTIES, INCLUDING, BUT NOT LIMITED TO, THE IMPLIED WARRANTIES OF MERCHANTABILITY AND FITNESS FOR A PARTICULAR PURPOSE ARE DISCLAIMED. IN NO EVENT SHALL THE COPYRIGHT OWNER OR CONTRIBUTORS BE LIABLE FOR ANY DIRECT, INDIRECT, INCIDENTAL, SPECIAL, EXEMPLARY, OR CONSEQUENTIAL DAMAGES (INCLUDING, BUT NOT LIMITED TO, PROCUREMENT OF SUBSTITUTE GOODS OR SERVICES; LOSS OF USE, DATA, OR PROFITS; OR BUSINESS INTERRUPTION) HOWEVER CAUSED AND ON ANY THEORY OF LIABILITY, WHETHER IN CONTRACT, STRICT LIABILITY, OR TORT (INCLUDING NEGLIGENCE OR OTHERWISE) ARISING IN ANY WAY OUT OF THE USE OF THIS SOFTWARE, EVEN IF ADVISED OF THE POSSIBILITY OF SUCH DAMAGE.</p>

2. Components potentially used in customer applications

<p>Third Party Software</p>	<p>Notice/Terms</p>
<p>dImalloc</p>	<p>Version of malloc/free/realloc (aka dImalloc) written by Doug Lea and released to the public domain, as explained at http://creativecommons.org/publicdomain/zero/1.0/.</p>

IAR Software License Agreement

Dinkum C++ Library	<p>Dinkum Abridged/C Library Sub license</p> <p>Definition: The term “Licensed Source” shall mean the Dinkum Abridged Library source code, the Dinkum C Library source code and the Dinkum Abridged Library Reference, or a later version of the same products. A Sub license is granted solely in conjunction with, and for use with IAR C/EC++/C++ Cross Compiler owned by IAR Systems AB. The Sub Licensee shall supply to Dinkumware Ltd (“Licensor”) with the following protections:</p> <p>(a)Plauger’s ownership. a.Sub Licensee acknowledges and agrees that: *Title and all rights of ownership to the Licensed Source, and all copies of all or any part thereof, are and remain with Plauger; *Sub Licensee shall not lend, sell, lease, hypothecate or otherwise dispose of the Licensed Source. *All copies of the Licensed Source, or any part thereof, in any form whatsoever, including but not limited to, forms cognizable to the human eye (directly, or upon enlargement or translation), or to data processing or other equipment, shall be the sole and exclusive property of Plauger, as described immediately above; and *Licensor has represented that the Licensed Source may contain Licensor’s trade secrets and proprietary information, whether or not any portion thereof is or may be copyrighted or patented. b.Sub Licensee agrees to preserve unchanged all copyright notices in all copies of the Licensed Source. c.Licensor acknowledges and agrees that Sub Licensee shall have no obligation to deliver or disclose to Licensor any modifications that Sub Licensee makes to the Licensed Source, ant that Sub Licensee shall own and have exclusive marketing rights to any such undisclosed modifications. d.Sub Licensee acknowledges and agrees that any modifications that Sub Licensee makes to the Licensed Source and discloses to Licensor, unless otherwise indicated in writing by Sub Licensee on or before disclosure (“Disclosed Modifications”), shall become the property of Plauger. Disclosed Modifications to the Licensed Library Source shall become the property of Plauger. Sub Licensee hereby assigns to Plauger all of Sub Licensee’s right, title, and interest in and to such Disclosed Modifications and in and to the copyrights and all other rights in the Disclosed Modifications. (b) License. a.Licensor hereby grants to Sub Licensee a personal, non-exclusive, and non-transferable license to use or modify the Licensed Source for its own internal business purposes solely in conjunction with IAR C/EC++/C++ Cross Compiler owned by IAR Systems. b.Notwithstanding the foregoing, Sub Licensee may make only such copies of the Licensed Source as are reasonably necessary for it to exercise its right hereunder. Sub Licensee acknowledges that it may not sell, assign, sublicense, lease or otherwise transfer, or permit others to use or execute the Licensed Source, or any port thereof, or any modification or improvement of the Licensed Source, or any object code which is derived from the Licensed Source. c.Sub Licensee agrees to comply with all applicable laws, regulations, rulings, and executive order from the United States relating to the export or re-export of the Licensed Source, and with all applicable foreign laws which must be complied with in order to protect or preserve Licensor’s copyright(s), trade secret(s), and other proprietary rights in and to the Licensed Source. Sub Licensee agrees that it will not knowingly ship or divert the Licensed Source for use in any country which has ratified neither the Berne Copyright Convention nor the Universal Copyright Convention without first obtaining written permission from Licensor. (c)Warranty and Disclaimer of Warranty. a.Licensor warrants that, at the time of delivery, the Licensed Source will be in good operating condition and will be Standard Conforming in all essential respects. b.Licensor represents and warrants that it is not aware that the Licensed Source is created in whole or in part by violation of the protected trade secret of another or that the Licensed Source infringes any U.S. patent or copyright.</p> <p>c.THE FOREGOING LIMITED WARRANTIES ARE THE ONLY WARRANTIES OF LICENSOR TO SUB LICENSEE AND ARE IN LIEU OF ALL OTHER WARRANTIES, EXPRESS OR IMPLIED, INCLUDING, BUT NOT LIMITED TO, THE IMPLIED WARRANTIES OF MERCHANTABILITY AND FITNESS FOR A PARTICULAR PURPOSE.</p> <p>(d)Limitation of Liability. a.In no event shall Licensor be liable to Sub Licensee for any lost profits, incidental, special, exemplary, punitive, indirect or other consequential dam ages, even if Licensor knows or has been advised of the possibility of such damages, or for any claim against Sub Licensee by any other person or entity, or for any damage caused by Sub Licensee’s failure to perform its responsibilities.</p>
-------------------------------	--

Updated: 2013-02-15. IAR Systems AB.

Freescale MQX RTOS 4.0.2

IMPORTANT. Read the following Freescale Semiconductor Software License Agreement (“Agreement”) completely. By selecting the “I Accept” button below, you indicate that you accept the terms of this Agreement. You may then install the software.

FREESCALE SEMICONDUCTOR SOFTWARE LICENSE AGREEMENT

This is a legal agreement between you (either as an individual or as an authorized representative of your employer) and Freescale Semiconductor, Inc. (“Freescale”). It concerns your rights to use this file and any accompanying written materials (the “Software”). In consideration for Freescale allowing you to access the Software, you are agreeing to be bound by the terms of this Agreement. If you do not agree to all of the terms of this Agreement, do not download the Software. If you change your mind later, stop using the Software and delete all copies of the Software in your possession or control. Any copies of the Software that you have already distributed, where permitted, and do not destroy will continue to be governed by this Agreement. Your prior use will also continue to be governed by this Agreement.

LICENSE GRANT. Exclusively in conjunction with Licensee’s development and sale of a product containing a programmable processing unit (e.g., a microprocessor, microcontroller, or digital signal processor) supplied directly or indirectly from Freescale (“Freescale System”) and listed under “By Products” on the Freescale MQX website (www.freescale.com/mqx), Freescale grants to you, free of charge, the non-exclusive, non-transferable right (1) to use the Software, (2) to reproduce the Software, (3) to prepare derivative works of the Software, (4) to distribute the Software and derivative works thereof in object (machine-readable) form as part of a Freescale System, and (5) to sublicense to others the right to use the distributed Software as included within the Freescale System. You must prohibit your sublicensees from translating, reverse engineering, decompiling, or disassembling the Software except to the extent applicable law specifically prohibits such restriction. If you violate any of the terms or restrictions of this Agreement, Freescale may immediately terminate this Agreement, and require that you stop using and delete all copies of the Software in your possession or control.

COPYRIGHT. The Software is licensed to you, not sold. Freescale owns the Software, and United States copyright laws and international treaty provisions protect the Software. Therefore, you must treat the Software like any other copyrighted material (e.g. a book or musical recording). You may not use or copy the Software for any other purpose than what is described in this Agreement. Except as expressly provided herein, Freescale does not grant to you any express or implied rights under any Freescale or third-party patents, copyrights, trademarks, or trade secrets. Additionally, you must reproduce and apply any copyright or other proprietary rights notices included on or embedded in the Software to any copies or derivative works made thereof, in whole or in part, if any.

SUPPORT. Freescale is NOT obligated to provide any support, upgrades or new releases of the Software. If you wish, you may contact Freescale and report problems and provide suggestions regarding the Software. Freescale has no obligation whatsoever to respond in any way to such a problem report or suggestion. Freescale may make changes to the Software at any time, without any obligation to notify or provide updated versions of the Software to you.

NO WARRANTY. TO THE MAXIMUM EXTENT PERMITTED BY LAW, FREESCALE EXPRESSLY DISCLAIMS ANY WARRANTY FOR THE SOFTWARE. THE SOFTWARE IS PROVIDED “AS IS”, WITHOUT WARRANTY OF ANY KIND, EITHER EXPRESS OR IMPLIED, INCLUDING, WITHOUT LIMITATION, THE IMPLIED WARRANTIES OF MERCHANTABILITY, FITNESS FOR A PARTICULAR PURPOSE, OR NON-INFRINGEMENT. YOU ASSUME THE ENTIRE RISK ARISING OUT OF THE USE OR PERFORMANCE OF THE SOFTWARE, OR ANY SYSTEMS YOU DESIGN USING THE SOFTWARE (IF ANY). NOTHING IN THIS AGREEMENT MAY BE CONSTRUED AS A WARRANTY OR REPRESENTATION BY FREESCALE THAT THE SOFTWARE OR ANY DERIVATIVE WORK DEVELOPED WITH OR INCORPORATING THE SOFTWARE WILL BE FREE FROM INFRINGEMENT OF THE INTELLECTUAL PROPERTY RIGHTS OF THIRD PARTIES.

INDEMNITY. You agree to fully defend and indemnify Freescale from any and all claims, liabilities, and costs (including reasonable attorney’s fees) related to (1) your use (including your sublicensee’s use, if permitted) of the Software or (2) your violation of the terms and conditions of this Agreement.

LIMITATION OF LIABILITY. IN NO EVENT WILL FREESCALE BE LIABLE, WHETHER IN CONTRACT, TORT, OR OTHERWISE, FOR ANY INCIDENTAL, SPECIAL, INDIRECT, CONSEQUENTIAL OR PUNITIVE DAMAGES, INCLUDING, BUT NOT LIMITED TO, DAMAGES FOR ANY LOSS OF USE, LOSS OF TIME, INCONVENIENCE, COMMERCIAL LOSS, OR LOST PROFITS, SAVINGS, OR REVENUES TO THE FULL EXTENT SUCH MAY BE DISCLAIMED BY LAW.

COMPLIANCE WITH LAWS; EXPORT RESTRICTIONS. You must use the Software in accordance with all

applicable U.S. laws, regulations and statutes. You agree that neither you nor your licensees (if any) intend to or will, directly or indirectly, export or transmit the Software to any country in violation of U.S. export restrictions.

GOVERNMENT USE. Use of the Software and any corresponding documentation, if any, is provided with RESTRICTED RIGHTS. Use, duplication or disclosure by the Government is subject to restrictions as set forth in subparagraph (c)(1)(ii) of The Rights in Technical Data and Computer Software clause at DFARS 252.227-7013 or subparagraphs (c)(1) and (2) of the Commercial Computer Software – Restricted Rights at 48 CFR 52.227-19, as applicable. Manufacturer is Freescale Semiconductor, Inc., 6501 William Cannon Drive West, Austin, TX, 78735.

HIGH RISK ACTIVITIES. You acknowledge that the Software is not fault tolerant and is not designed, manufactured or intended by Freescale for incorporation into products intended for use or resale in on-line control equipment in hazardous, dangerous to life or potentially life-threatening environments requiring fail-safe performance, such as in the operation of nuclear facilities, aircraft navigation or communication systems, air traffic control, direct life support machines or weapons systems, in which the failure of products could lead directly to death, personal injury or severe physical or environmental damage (“High Risk Activities”). You specifically represent and warrant that you will not use the Software or any derivative work of the Software for High Risk Activities.

CHOICE OF LAW; VENUE; LIMITATIONS. You agree that the statutes and laws of the United States and the State of Texas, USA, without regard to conflicts of laws principles, will apply to all matters relating to this Agreement or the Software, and you agree that any litigation will be subject to the exclusive jurisdiction of the state or federal courts in Texas, USA. You agree that regardless of any statute or law to the contrary, any claim or cause of action arising out of or related to this Agreement or the Software must be filed within one (1) year after such claim or cause of action arose or be forever barred.

PRODUCT LABELING. You are not authorized to use any Freescale trademarks, brand names, or logos.

ENTIRE AGREEMENT. This Agreement constitutes the entire agreement between you and Freescale regarding the subject matter of this Agreement, and supersedes all prior communications, negotiations, understandings, agreements or representations, either written or oral, if any. This Agreement may only be amended in written form, executed by you and Freescale.

SEVERABILITY. If any provision of this Agreement is held for any reason to be invalid or unenforceable, then the remaining provisions of this Agreement will be unimpaired and, unless a modification or replacement of the invalid or unenforceable provision is further held to deprive you or Freescale of a material benefit, in which case the Agreement will immediately terminate, the invalid or unenforceable provision will be replaced with a provision that is valid and enforceable and that comes closest to the intention underlying the invalid or unenforceable provision.

NO WAIVER. The waiver by Freescale of any breach of any provision of this Agreement will not operate or be construed as a waiver of any other or a subsequent breach of the same or a different provision.

Instrucciones originales

Modelo: 34288NI



Máquina de recuperación, reciclado y recarga
para sistemas de aire acondicionado con R-134a

Descripción: máquina de recuperación, reciclado y recarga de sistemas de aire acondicionado equipados con R-134a.

INFORMACIÓN DEL PRODUCTO

Anote el número de serie y el año de fabricación de esta unidad para futuras consultas. Consulte la etiqueta de identificación del producto de la unidad para obtener información.

Número de serie: _____ Año de fabricación: _____


EXENCIÓN DE RESPONSABILIDAD: La información, ilustraciones y especificaciones contenidas en este manual se basan en la información más reciente disponible en el momento de la publicación. Queda reservado el derecho a realizar cambios en cualquier momento sin obligación de notificar a personas o entidades algunas dichas revisiones o cambios. Además, ROBINAIR no será responsable de los errores aquí incluidos ni de los daños circunstanciales o daños y perjuicios (incluso pérdidas) relacionados con el suministro, rendimiento ni el uso de este material. Si fuera necesario, obtenga más información sobre salud y seguridad en los organismos públicos competentes y en los fabricantes del vehículo, el refrigerante y el lubricante.


Precauciones de seguridad	2	Mantenimiento	19
Palabras de señalización de seguridad	2	Planificación de mantenimiento	19
Adhesivos de seguridad	2	Cargar idioma	20
Dispositivos de protección	4	Llenado del depósito	21
Prueba del depósito de refrigerante	4	Mantenimiento del filtro	22
Introducción	5	Control de la capacidad restante del filtro	22
Especificaciones técnicas	5	Cambio del filtro	23
Características	6	Control de calibración	24
Funciones del panel de control	8	Cambio de aceite de la bomba de vacío	25
Leyenda de los iconos	9	Control de fugas	26
Funciones del menú de configuración	10	Editar encabezado de impresión	27
Configuración inicial	11	Cambiar el papel de la impresora	27
Desembalaje de la máquina	11	Instalación de una impresora	28
Desembalaje del kit de accesorios	11	Función de servicio de A/C	29
Instalar la botella de drenaje de aceite	11	Piezas de repuesto	29
Encendido de la máquina	11	Glosario	29
Seleccionar idioma	12	Solución de problemas	30
Seleccionar unidades	12	Almacenamiento y transporte del equipo	33
Ajuste fecha y hora	12	Almacenamiento	33
Editar encabezado de impresión	12	Transporte del equipo	33
Vacío de servicio	13	Desecho del equipo	34
Llenado del depósito	13	Desecho de materiales reciclados	34
Activación de unidad	14	Desecho de la máquina	34
Instrucciones de funcionamiento	15	Desecho de las baterías	34
Recuperación de refrigerante de un vehículo	15	Avisos de licencias de software	35
Evacuar el sistema de A/C del vehículo	16	Declaración de garantía	Cubierta Trasera
Recarga del sistema de A/C del vehículo	17		
Función automática	18		


Precauciones de seguridad

Explicación de las palabras de señalización de seguridad empleadas en este manual

Las palabras de señalización de seguridad indican el nivel de gravedad del peligro.

 **PELIGRO:** indica una situación de peligro inminente que, si no se evita, causará la muerte o lesiones graves.

 **ADVERTENCIA:** indica una situación potencialmente peligrosa que, si no se evita, podría causar la muerte o lesiones graves.

 **PRECAUCIÓN:** indica una situación potencialmente peligrosa que, si no se evita, podría provocar lesiones leves o moderadas.

PRECAUCIÓN: si se emplea sin el símbolo de alerta, indica una situación potencialmente peligrosa que, si no se evita, podría causar daños materiales.

Estos mensajes de seguridad comprenden situaciones conocidas por Robinair. Robinair no puede conocer, valorar ni tampoco advertirle de todos los peligros posibles. El usuario es quien debe verificar las circunstancias y procedimientos que comprometan su seguridad personal.

Explicación de los adhesivos de seguridad empleados en la máquina

	Lea detenidamente las instrucciones.
	No utilice al aire libre en caso de lluvia o elevada humedad.
	Póngase guantes.
	Utilice gafas protectoras.
	Tensión alterna.
	Protección de toma de tierra.
	Peligro de descarga eléctrica.

Precauciones de seguridad



ADVERTENCIA: para evitar lesiones personales,



PERMITA ÚNICAMENTE A PERSONAL CUALIFICADO QUE ACCIONE LA MÁQUINA. Antes de accionar la máquina, lea y siga las instrucciones y advertencias de este manual. El operador debe estar familiarizado con los sistemas de aire acondicionado y de refrigeración, con los refrigerantes y los peligros asociados a los componentes presurizados. Si el operador no puede leer este manual, hay que leer y discutir las instrucciones de funcionamiento y las precauciones de seguridad en el idioma materno del operador.



UTILICE LA MÁQUINA COMO SE DESCRIBE EN ESTE MANUAL. El uso de la máquina en tareas para las que no se ha diseñado comprometerá la máquina y anulará las protecciones previstas.



EL DEPÓSITO PRESURIZADO CONTIENE LÍQUIDO REFRIGERANTE. No llene en exceso el depósito de almacenamiento interno (ISV). Si lo llena demasiado, puede producirse una explosión que causará lesiones personales o la muerte. No recupere refrigerantes en recipientes no rellenables; utilice únicamente recipientes rellenables homologados con válvulas de seguridad.



LAS MANGUERAS PUEDEN CONTENER LÍQUIDO REFRIGERANTE A PRESIÓN. El contacto con refrigerante puede provocar lesiones personales, incluso ceguera y congelación de la piel. Utilice equipo de protección que incluya gafas y guantes. Desconecte las mangueras con extremo cuidado. Asegúrese de que la fase se ha completado antes de desconectar la máquina para evitar la liberación de refrigerante a la atmósfera.



EVITE RESPIRAR EL REFRIGERANTE DEL A/C Y LOS VAPORES O LA NEBLINA DEL LUBRICANTE. La exposición a estos puede causar irritación ocular, nasal y de la garganta. Para extraer el refrigerante del sistema de A/C, utilice exclusivamente el equipo certificado para el tipo de refrigerante que va a vaciar. Utilice la unidad en lugares donde haya ventilación mecánica que permita, al menos, cuatro renovaciones del aire en una hora. Si se produjera una descarga accidental del sistema, ventile la zona de trabajo antes de reanudar la tarea.

NO DISPERSE REFRIGERANTE EN EL AMBIENTE. Evite la posible presencia de refrigerante en el entorno de trabajo.



PARA REDUCIR EL RIESGO DE INCENDIO, no emplee la máquina cerca de recipientes abiertos o derramados que contengan gasolina u otras sustancias inflamables.

PARA REDUCIR EL RIESGO DE INCENDIO, no utilice un cable de extensión o alargador. Un cable alargador puede sobrecalentarse y provocar un incendio. Si debe utilizar un cable alargador, emplee el más corto posible con un tamaño mínimo de 14 AWG.

PARA REDUCIR EL RIESGO DE INCENDIO, no emplee la máquina cerca de llamas o superficies calientes. El refrigerante puede descomponerse a temperaturas elevadas y liberar sustancias tóxicas al medio ambiente que resultarán nocivas para el usuario.

PARA REDUCIR EL RIESGO DE INCENDIO, no emplee la máquina en ambientes que contengan gases o vapores explosivos.

PARA REDUCIR EL RIESGO DE INCENDIO, no emplee la máquina en zonas o áreas clasificadas como ATEX. Proteja la máquina de circunstancias que puedan provocar fallos eléctricos u otros peligros relacionados con la interacción con el entorno.



PRECAUCIÓN: NO EFECTÚE PRUEBAS DE PRESIÓN NI DE FUGAS CON AIRE COMPRIMIDO EN LOS EQUIPOS Y/O SISTEMAS DE AIRE ACONDICIONADO DE VEHÍCULOS. Las mezclas de aire y refrigerante R-134a pueden volverse combustibles a una presión elevada. Estas mezclas son potencialmente peligrosas y pueden provocar incendios o explosiones, con los consiguientes daños a la propiedad y/o lesiones personales.



LA PRESENCIA DE COMPONENTES ELÉCTRICOS DE ALTA TENSIÓN EN LA MÁQUINA SUPONE UN RIESGO DE DESCARGA ELÉCTRICA. La exposición puede provocar lesiones personales. Desconecte la alimentación antes de realizar tareas de mantenimiento en la máquina.

NUNCA DEJE LA MÁQUINA CONECTADA SI NO TIENE PREVISTO UTILIZARLA DE INMEDIATO. Desconecte el suministro eléctrico antes de iniciar un largo período de inactividad o antes de realizar tareas internas de mantenimiento.

NO MODIFIQUE LA VÁLVULA DE SEGURIDAD NI CAMBIE LOS AJUSTES DEL SISTEMA DE CONTROL. El uso de la máquina en tareas para las que no se ha diseñado comprometerá la máquina y anulará las protecciones previstas.

Puede obtener más información sobre salud y seguridad si la solicita a los fabricantes del refrigerante y el lubricante.

Precauciones de seguridad

PRECAUCIÓN: para evitar daños en el equipo,



PARA EVITAR LA CONTAMINACIÓN CRUZADA, UTILICE ESTA MÁQUINA ÚNICAMENTE CON REFRIGERANTE R-134A. La máquina está equipada con conectores especiales que recuperan, reciclan y recargan únicamente refrigerante R-134a. No intente adaptar la máquina para otro refrigerante. No mezcle distintos tipos de refrigerante en el sistema ni en el mismo recipiente: la mezcla de refrigerantes provocará graves daños en la máquina y en el sistema de aire acondicionado del vehículo.

NO UTILICE ESTA MÁQUINA BAJO LA LUZ SOLAR DIRECTA. Coloque la máquina lejos de fuentes de calor, como la luz solar directa, que puede ocasionar una temperatura excesiva. El uso de esta máquina en condiciones ambientales normales (de 10° a 50 °C) mantiene las presiones dentro de límites razonables.



NO EMPLEE ESTA MÁQUINA AL AIRE LIBRE CON LLUVIA O HUMEDAD ELEVADA. Proteja la máquina de circunstancias que puedan provocar fallos eléctricos u otros peligros relacionados con la interacción con el entorno.

NO UTILICE ESTA MÁQUINA EN ÁREAS DONDE HAYA RIESGO DE EXPLOSIÓN.

INSTALE LA MÁQUINA SOBRE UNA SUPERFICIE UNIFORME Y CON SUFICIENTE ILUMINACIÓN. BLOQUEE LAS RUEDAS FRONTALES Y NO SOMETA LA MÁQUINA A VIBRACIONES.

PARA EVITAR INCOMPATIBILIDADES QUÍMICAS CON LOS COMPONENTES INTERNOS DE LA MÁQUINA, UTILICE ÚNICAMENTE ACEITES APROBADOS POR EL FABRICANTE DEL VEHÍCULO. Los problemas derivados de la utilización de aceites no aprobados anularán la garantía.

Puede obtener más información sobre salud y seguridad si la solicita a los fabricantes del refrigerante y el lubricante.

Dispositivos de protección

La máquina está equipada con los siguientes dispositivos de protección:

- Válvulas de sobrepresión.
- Un interruptor de máxima presión detiene el compresor cuando detecta exceso de presión.



ADVERTENCIA: la alteración de estos dispositivos protectores podría provocar lesiones graves.

Prueba del depósito de refrigerante

Los registros oficiales y las pruebas periódicas necesarias para los instrumentos presurizados se rigen por leyes y/o directivas nacionales que dependen del país donde se use el depósito de refrigerante. El encargado del sistema es responsable de respetar las leyes, directivas y normas técnicas. Durante el servicio normal, los depósitos de refrigerante no requieren mantenimiento. Consulte la sección Mantenimiento de este manual para obtener más información.

Esta máquina se usa en vehículos equipados con R-134a y se ha diseñado para ser compatible con el equipo de mantenimiento y los procedimientos de mantenimiento estándar existentes. Esta máquina es un sistema de paso único (es decir, el refrigerante fluye una vez por el filtro) que cumple las especificaciones del refrigerante reciclado. Siga los procedimientos de mantenimiento recomendados para la contención de R-134a.

Nota: Los sistemas refrigerantes precisan aceites especiales. Consulte el manual de servicio del fabricante del sistema de aire acondicionado para conocer las especificaciones del aceite.

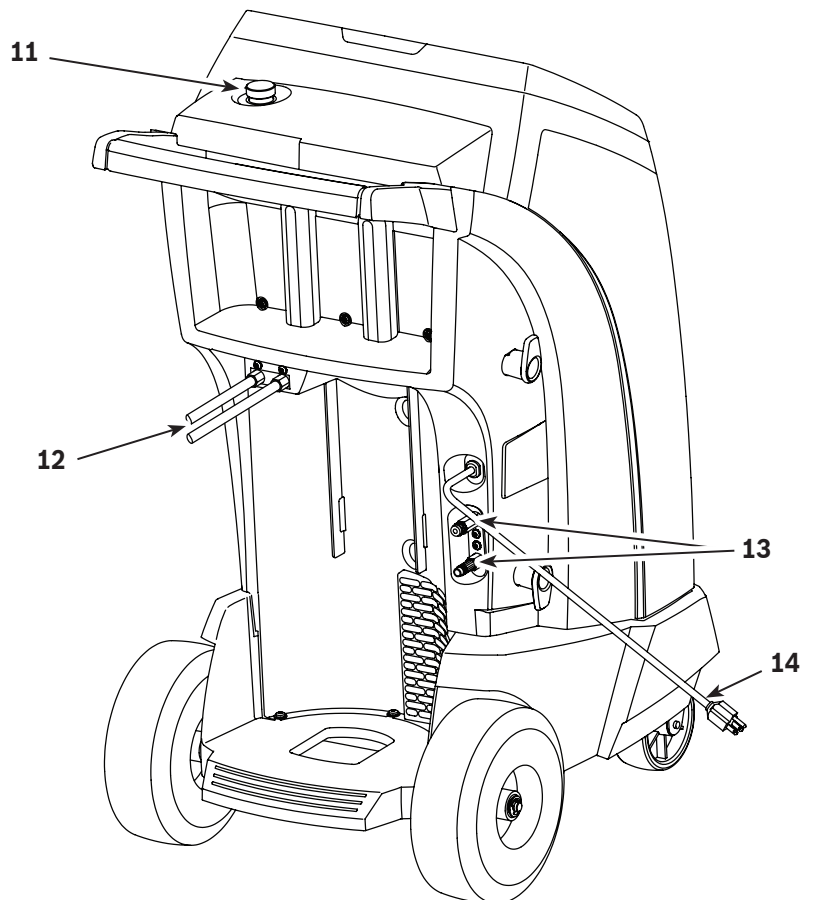
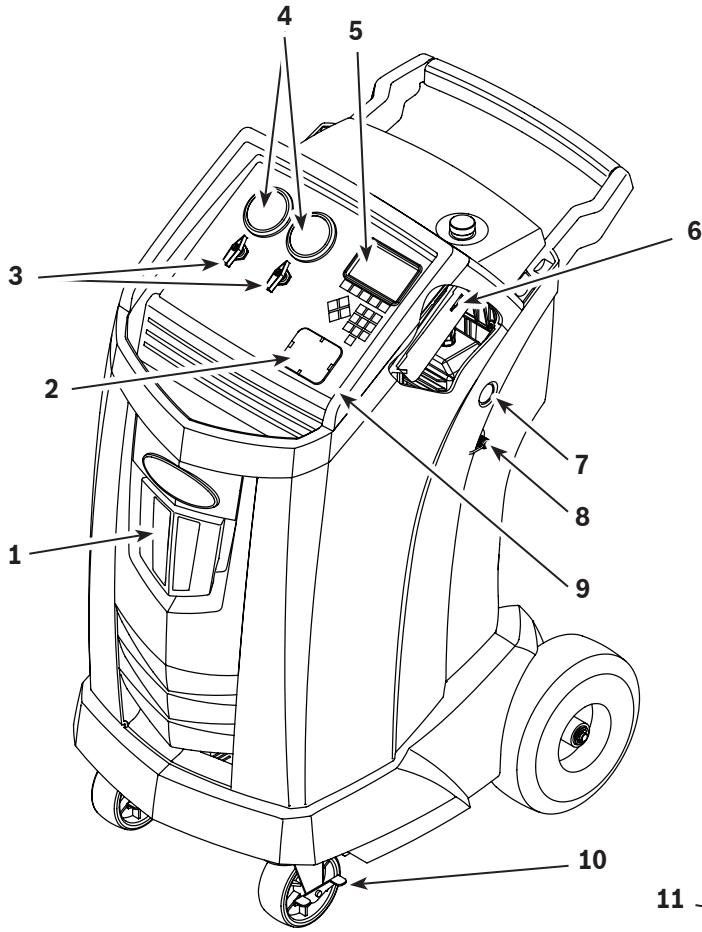


Especificaciones técnicas

Dimensiones	107 x 61 x 76 cm
Pantalla	LCD gráfico de 5 × 9 cm (4,3" diag.)
Capacidad de vida útil del filtro	68 kg (150 lb)
Humedad	32,2 °C (90 °F), 80 % HR sin condensación
Manómetros	∅ 80 mm (3,15")
Presión máxima	27,3 bar (396 psi)
Ruido	<70 dB(A)
Tensión nominal	115 V, 60 Hz
Capacidad de la botella de drenaje de aceite ..	355 ml (12 oz)
Temperatura de funcionamiento ..	10 °C a 50 °C (50 °F a 122 °F)
Consumo energético	1380 VA
Desplazamiento de aire libre de la bomba de vacío	1,5 CFM (42 l/m) a 60 Hz
Mangueras de servicio	2,75 m (9 ft)/SAE J2196
Capacidad del depósito	10 kg (22 lb)
Peso	73 kg (161 lb)

Introducción

Características



Artículo N.º	Descripción
1	Botella de drenaje de aceite
2	Tapa de impresora (la impresora se vende por separado)
3	Válvulas del panel
4	Indicadores de colector de lado bajo (azul) y lado alto (rojo)
5	Pantalla gráfica y teclado
6	Conexión de tarjeta SD
7	Mirilla de aceite de la bomba de vacío
8	Conector de drenaje de aceite de la bomba de vacío
9	Interruptor de encendido
10	Bloqueo de ruedas
11	Toma y tapón de llenado de aceite de la bomba de vacío
12	Mangueras de servicio
13	Tomas de almacenamiento de las mangueras de servicio
14	Cable de alimentación

Introducción

Funciones del panel de control

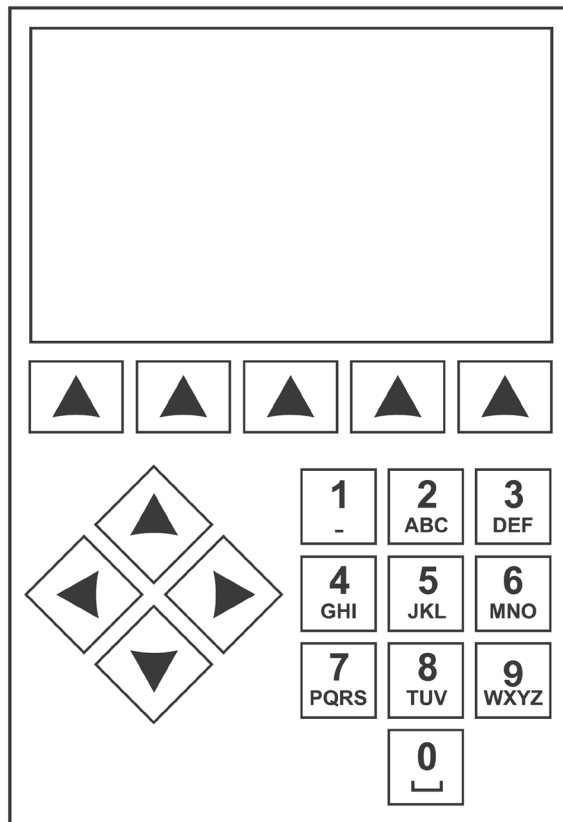
FLECHA ARRIBA resalta el elemento anterior.

FLECHA ABAJO resalta el elemento siguiente.

FLECHA DERECHA desplaza a la pantalla siguiente.

FLECHA IZQUIERDA desplaza a la pantalla anterior.

FLECHAS DE SELECCIÓN hacen una selección o contestan una consulta.



Teclado del panel de control

Leyenda de los iconos



ICONO DE AUTOMÁTICO

Al presionar la tecla debajo de este icono se ingresa al proceso automático de recuperación, vacío y carga de refrigerante.



ICONO DE RECUPERAR

Al presionar la tecla debajo de este icono se ingresa al proceso de recuperación de refrigerante.



ICONO DE VACÍO

Al presionar la tecla debajo de este icono se ingresa al proceso de vacío del sistema.



ICONO DE CARGAR

Al presionar la tecla debajo de este icono se ingresa al proceso de carga de refrigerante.



ICONO DE SIGUIENTE/AVANCE

Al presionar la tecla debajo de este icono se procede a opciones adicionales de selección de menú o a un paso adicional de una función o proceso.



ICONO DE VOLVER

Al presionar la tecla debajo de este icono se regresa a opciones de selección de menú antes vistas o a la pantalla anterior dentro de una función o proceso.



ICONO DE AYUDA

Al presionar la tecla debajo de este icono se obtiene ayuda e información correspondiente a la pantalla actual y/o la función que se está viendo o realizando.



ICONO DE BASE DE DATOS

Al presionar la tecla debajo de este icono se ingresa al proceso de recuperación de la base de datos del vehículo.



ICONO DEL MENÚ DE CONFIGURACIÓN

Al presionar la tecla debajo de este icono se ingresa al menú de configuración.



ICONO DE SÍ/ACEPTAR

Al presionar la tecla debajo de este icono se acepta cualquier selección realizada en la pantalla actual y se procede al paso siguiente de la función.



ICONO DE NO/CERRAR

Al presionar la tecla debajo de este icono se rechaza cualquier selección realizada en la pantalla actual y se regresa al paso anterior de la función o al menú principal.



ICONO DE REINTENTAR

Al presionar la tecla debajo de este icono se reintentará el proceso o la función actual.



ICONO DE SELECCIÓN DE RUTA DE CARGA

Al presionar la tecla debajo de este icono se alterna la ruta de carga de refrigerante entre el lado alto, el lado bajo y ambos lados.



ICONO DE ENCENDIDO/APAGADO

Al presionar la tecla debajo de este icono se alterna el encendido o apagado de la función resaltada según se desee.



ICONO DE RETROCESO

Al presionar la tecla debajo de este icono se elimina un carácter de texto hacia la izquierda de la selección actual.



ICONO DE PAUSA

Al presionar la tecla debajo de este icono se hace una pausa en el proceso actual.



ICONO DE REANUDAR

Al presionar la tecla debajo de este icono se reanuda un proceso que está en pausa.



ICONO DE IMPRIMIR

Al presionar la tecla debajo de este icono se imprime un resumen correspondiente al proceso actual completado.



ICONO DE ELIMINAR

Al presionar la tecla debajo de este icono se elimina una entrada seleccionada de la memoria de la máquina.



ICONOS DE CAMBIO DE UNIDAD



Al presionar la tecla debajo de uno de estos iconos se alternará la unidad de medida para el campo de entrada actual.

Introducción

Funciones del menú de configuración

Acceda a las siguientes funciones pulsando la tecla Menu (Menú) y seleccionando Setup (Configuración).

Seleccionar idioma

Seleccione un idioma para las indicaciones de pantalla. El inglés es el idioma predeterminado.

Ecualización de mangueras

Use este elemento del menú de configuración para recuperar refrigerante de las mangueras de servicio hacia el sistema de aire acondicionado del vehículo. Este elemento es útil después de hacer diagnósticos que no requieren que se recupere el sistema de aire acondicionado hacia la máquina de RRR. El usuario recibirá la indicación de conectar la manguera de servicio del lado bajo en la toma apropiada y de poner en marcha el sistema de aire acondicionado del vehículo en máximo.

Llenado del depósito

Use esta opción del Menú de configuración para transferir refrigerante de un depósito de origen al depósito de almacenamiento interno (ISV). La cantidad de llenado del depósito se puede ajustar hacia arriba o hacia abajo para adaptarse a las necesidades del usuario. Consulte Llenado de depósito en la sección Mantenimiento.

Seguimiento de refrigerante

Si esta función está habilitada, la máquina conservará registros del refrigerante que se haya recuperado, cargado y rellenado (llenado desde el depósito de origen). Estos datos pueden exportarse a la tarjeta SD o imprimirse (si hay una impresora instalada).

Gestión Ref.

Muestra la cantidad de refrigerante recuperado, cargado y rellenado (para determinar la vida útil de la máquina) y filtrado desde el último cambio de filtro.

Mantenimiento del filtro

El filtro elimina el ácido, las partículas y la humedad del refrigerante. Para cumplir los requisitos, es obligatorio cambiar el filtro después de haber filtrado 68 kg (150 lb) de refrigerante.

Esta opción del menú muestra la capacidad restante del filtro hasta que la máquina se apague y deje de funcionar. Consulte Mantenimiento del filtro en la sección Mantenimiento.

Mantenimiento de bomba

Muestra la cantidad de tiempo restante hasta el próximo cambio de aceite de la bomba de vacío. Para obtener el máximo rendimiento de la bomba de vacío, cambie el aceite de la bomba de vacío cada vez que sustituya el filtro. Consulte Cambio de aceite de la bomba de vacío en la sección Mantenimiento.

Control de calibración

Utilice para verificar la calibración de la báscula interna. Consulte Control de calibración en la sección Mantenimiento de este manual de usuario.

Condición de purga de ISV

Muestra la temperatura y presión del depósito interno.

Mostrar información de título

Activa/desactiva la visualización de información de diagnóstico de la máquina en la barra de título de la pantalla.

Control de fugas

Inicia un control de fugas en la máquina.

Seleccionar unidades

Programa la máquina para que muestre las unidades de medida en kilogramos o libras. La visualización predeterminada es el kilogramo.

Fecha y hora

Programa en la máquina la fecha y hora actuales.

Editar encabezado de impresión

Programa la información que aparecerá en la impresión cada vez que utilice la función de imprimir.

Cambiar mangueras de servicio

Inicia el conjunto de acciones que se requieren para cambiar las mangueras de servicio.

Tiempo de vacío predeterminado

Permite que el usuario modifique el ajuste predeterminado de la máquina.

Activación de unidad

En caso de no registrar ni activar la máquina en un plazo de 30 días tras la puesta en marcha inicial, la máquina se bloqueará y dejará de funcionar. Seleccione esta opción del Menú de configuración y siga las indicaciones antes de que expire el período de prueba.

Información del sistema

Muestra el nivel de revisión del software de la máquina.

Menú de servicio

Solo para uso del centro de servicio de Robinair.

Menú de producción

Solo para uso de producción de Robinair.

Desembalaje de la máquina

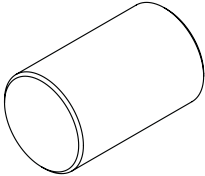
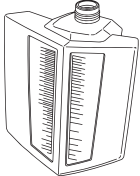

1. Retire los flejes de la caja.
2. Retire el pliegue interno superior de la caja, la bandeja de cartón moldeado y los tableros de los ángulos.
3. Quite la funda del cartón inferior de la caja.
4. Haga rodar suavemente la unidad hacia adelante y fuera del palé, evitando los impactos.



ADVERTENCIA: Para evitar lesiones personales al trabajar con refrigerante, lea y siga las instrucciones y advertencias de este manual y utilice equipos de protección como gafas y guantes.

Desembalaje del kit de accesorios

Desempaquete el kit de accesorios de la caja y retire los envases de plástico.

<p>Peso del control de calibración 533 kg (1,18 lb)</p> 	<p>Botella de drenaje de aceite</p> 
<p>Bolsa que contiene el manual del usuario, fichas de datos de seguridad y una lista de centros de servicios.</p>	<p>Adaptador de depósito</p> 

Instalar la botella de drenaje de aceite

1. Localice el acoplador de drenaje de aceite en el frente de la máquina (vea la figura 1).
2. Lubrique la junta tórica dentro del acoplador.
3. Inserte el frasco de drenaje de aceite en el acoplador empujando directamente hacia arriba (no haga movimientos de giro ni de inclinación).

Encendido de la máquina

1. Desenrolle el cable eléctrico y enchúfelo en una toma eléctrica de la tensión correcta con descarga a tierra.
2. Sitúe la máquina de forma que el operador pueda acceder con facilidad a la clavija del enchufe y al interruptor de encendido. Compruebe que las rejillas de ventilación de la parte trasera de la máquina no estén obstruidas.
3. Bloquee las ruedas delanteras.
4. Mueva el interruptor de encendido en el panel de control para ENCENDER la máquina.

La máquina activa el modo de Configuración inicial.

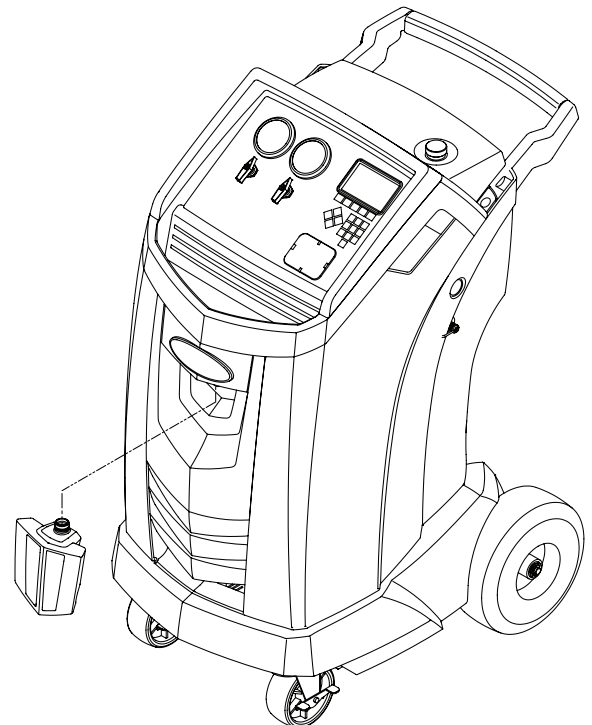


Figura 1

Configuración inicial

Seleccionar idioma

El operador selecciona el idioma de las indicaciones de pantallas. El inglés es el idioma predeterminado.

1. Utilice la flecha **ARRIBA** o **ABAJO** para cambiar entre los idiomas disponibles de uno en uno.
2. Seleccione ✓ para ajustar el idioma seleccionado.

Nota: Para actualizar un idioma previo o añadir uno nuevo, consulte Cargar idioma en la sección Mantenimiento de este manual.

Seleccionar unidades

El operador determina las unidades de medida. El sistema predeterminado es Métrico.

3. Use la tecla de **FLECHA ARRIBA** o **FLECHA ABAJO** para alternar entre unidades imperiales o métricas.
4. Seleccione ✓ para elegir la unidad de medida que se visualiza.



Ajuste fecha y hora

Utilice las teclas de flecha para mover el cursor. Use el teclado para modificar la información que aparece.

5. Use las teclas de **FLECHA ARRIBA** y **FLECHA ABAJO** para seleccionar qué elemento desea cambiar: el día, el mes, el año o la hora. Seleccione **I/O** para alternar entre a. m. y p. m.
6. Use la interfaz multitáctil del teclado numérico para modificar la información:
7. Seleccione ✓ para guardar.

Editar encabezado de impresión

Esta máquina puede imprimir información de recuperación, vacío y carga si se instala una impresora (se vende por separado). La información cargada en Editar cab. impresión aparecerá en cada impresión.

1. Introduzca el texto con las flechas y la interfaz multitáctil del teclado numérico:
 - La tecla **FLECHA IZQUIERDA** y  actúa como una tecla de retroceso.
 - La **FLECHA DERECHA** mueve el cursor a la derecha.
 - **0 (CERO)** actúa como una barra espaciadora si se presiona dos veces.
 - Las teclas de **FLECHA ARRIBA** y **ABAJO** permiten el desplazamiento entre las filas.
2. Seleccione ✓ para guardar/salir de la función; seleccione  para volver al encabezado anterior sin guardar datos.

Vacío de servicio

En este punto la máquina limpia sus tubos internos antes de proceder con la configuración.

1. Controle la mirilla del nivel de aceite de la bomba de vacío y verifique que el nivel de aceite esté en el centro de la mirilla.
2. Cuando se le indique, conecte las mangueras de servicio de la máquina a sus tomas de almacenamiento, como se muestra en Figure 2. Seleccione ►► para continuar.
3. La máquina ingresa en un vacío de 5 minutos y automáticamente ingresará al siguiente proceso de configuración cuando esté completo.

Llenado del depósito

Este procedimiento transfiere refrigerante desde un depósito de origen al depósito de almacenamiento interno (ISV) de la máquina. La capacidad máxima del ISV es de 10 kg (22 lb). Utilice las flechas para mover el cursor y el teclado para introducir un valor.

1. La máquina muestra los campos de la cantidad deseada de llenado del depósito y de refrigerante recuperable (capacidad de recuperación) dentro del depósito de almacenamiento interno (ISV). Introduzca la cantidad deseada de llenado del depósito.

Nota: agregue al menos 3,6 kg de refrigerante para asegurar que haya suficiente disponible para cargar.

2. Instale el adaptador del depósito (se incluye) en el depósito de origen.
3. Conecte el acoplador de manguera de servicio del lado bajo al adaptador del depósito.
4. Abra la válvula del depósito de origen, la válvula del acoplador del lado bajo y la válvula del panel del lado bajo.
5. Sitúe el depósito de origen de tal forma que el refrigerante líquido llegue a la conexión.
6. Seleccione ✓ para iniciar el proceso de llenado del depósito. La máquina comienza a llenar el depósito de almacenamiento interno (ISV). Agregue al menos 3,6 kg de refrigerante para asegurar que haya suficiente disponible para cargar. Este proceso tarda entre 15 y 20 minutos.
7. La máquina se detiene cuando la cantidad asignada de refrigerante se ha transferido al ISV o cuando el depósito de origen está vacío. Siga los mensajes que aparecen en la pantalla.
8. Cierre la válvula del depósito de origen.
9. Seleccione ✕ para completar la configuración inicial.

La máquina está lista para funcionar.



ADVERTENCIA: Para evitar lesiones personales al trabajar con refrigerante, lea y siga las instrucciones y advertencias de este manual y utilice equipos de protección como gafas y guantes.

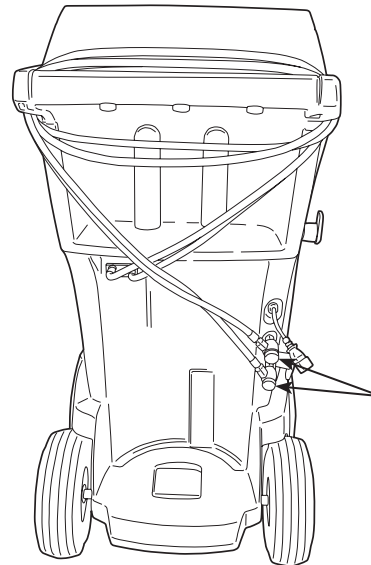


Figura 2

Notas:

- No hay necesidad de calibrar la báscula, ya viene calibrada de fábrica.
- Tras completar el proceso de llenado del depósito, la pantalla no muestra la misma cantidad que el nivel de llenado programado.
- La pantalla muestra la cantidad de refrigerante que está disponible para cargar, que es aproximadamente 0,67 kg (1,4 lb) menos que la cantidad total de refrigerante que hay en el depósito.
- Para un rendimiento óptimo durante la operación de llenado del depósito, verifique que la orientación del depósito de origen sea correcta. Es posible que se deba invertir algunos depósitos para el suministro de líquido.

Capacidad de carga: la cantidad de refrigerante del ISV que se puede cargar en un sistema de A/C de un vehículo.

Capacidad de recuperación: la cantidad de refrigerante adicional que podría recuperarse en el ISV.

Configuración inicial

Activación de unidad

En caso de no registrar ni activar la máquina en un plazo de 30 días tras la puesta en marcha inicial, la máquina se bloqueará y dejará de funcionar.

1. Seleccione Activ. de unidad en el Menú de configuración.
La máquina muestra:

XX días rest. periodo prueba
para activar unidad.
¿Activar?

2. Seleccione para iniciar el proceso de activación. La máquina muestra:

ACTIVACIÓN PRODUC

Código prod personal:
XXXXXXXXXXXX

Intr. cóni:
XXXXXXXXXXXX



3. Abra un explorador web en una computadora personal e introduzca <https://register.servicesolutionsportal.com>.
4. Introduzca el nombre de usuario y contraseña e inicie sesión en el sitio web.
Nota: en el primer uso, el usuario debe seleccionar REGISTRAR para crear un nombre de usuario y contraseña.
5. En la computadora personal, introduzca el código personal del producto de la máquina en la casilla de la clave de activación del producto en el sitio web para recibir un código de activación.
6. En la máquina, introduzca el código de activación en el campo correcto. Nota: escriba el código exactamente como lo recibió. Se distinguen mayúsculas y minúsculas.
7. Anote el código de activación en un papel y guárdelo en un lugar seguro. Seleccione .
8. La máquina muestra:

ACTIVACIÓN EXITOSA.

Seleccione **▶▶**. La máquina se ha activado.



Recuperación de refrigerante de un vehículo



1. Vacíe la botella de drenaje de aceite antes de comenzar una recuperación. Para retirar la botella de drenaje de aceite de la máquina, tire de la botella hacia abajo (no haga movimientos de giro ni de inclinación). Vuelva a instalar la botella de drenaje de aceite. Consulte la Figure 3.
2. Seleccione **RECUPERAR**  en el **MENÚ PRINCIPAL**.
3. Conecte las mangueras de servicio del lado alto (rojo) y lado bajo (azul) al sistema de A/C del vehículo.
4. Abra las válvulas de los acopladores de las mangueras girando a la derecha los collarines.
5. Abra las válvulas del lado alto y lado bajo en el panel de control.
6. Seleccione  para continuar.

El equipo inicia el proceso de recuperación. El chasquido indica que el solenoide se está abriendo y cerrando, lo que es normal.

La máquina realiza un ciclo de autolimpieza para eliminar todo refrigerante interno de sus tubos internos.

Comienza la recuperación del sistema, que incluye un proceso temporizado de recuperación profunda de vacío.

Después de la recuperación, la máquina efectúa un drenaje del aceite, lo que puede requerir hasta 90 segundos en completarse.

7. Una vez completado el drenaje de aceite, aparece un resumen que muestra la cantidad total de refrigerante recuperado. Se indica al usuario que “Controle la botella de drenaje de aceite” para tomar nota del aceite drenado. Para imprimir la información de recuperación, seleccione  en máquinas equipadas con una impresora.
8. Seleccione  para volver al menú principal.

Nota: El peso recuperado que aparece puede variar dependiendo de las condiciones ambientales y no debe utilizarse como indicador de la precisión de la báscula.

Nota: La cantidad de aceite que se eliminó del sistema de A/C es la cantidad de aceite nuevo que se debe cargar en el sistema de A/C después de completar la evacuación.

- *Sólo se instalará en el sistema MAC un lubricante nuevo, según lo especificado por el fabricante del sistema. El lubricante retirado del sistema y/o del equipo se eliminará de acuerdo con los procedimientos y regulaciones federales, estatales y locales aplicables.*



ADVERTENCIA: Para evitar lesiones personales al trabajar con refrigerante, lea y siga las instrucciones y advertencias de este manual y utilice equipos de protección como gafas y guantes.

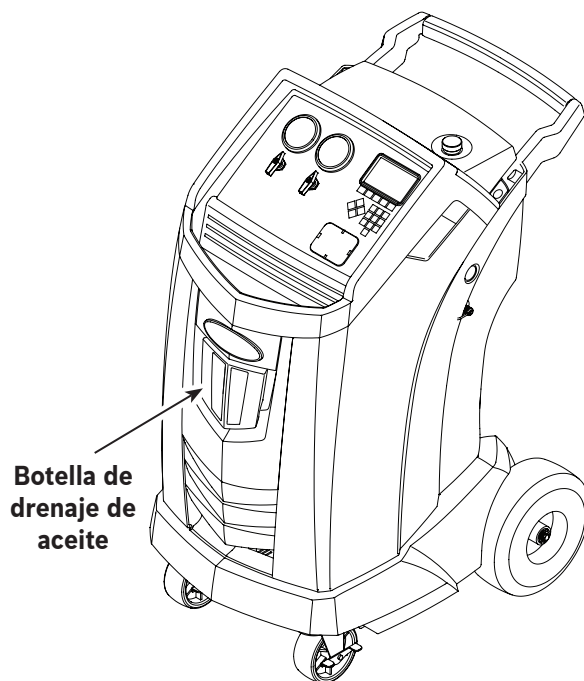





Figura 3

Instrucciones de funcionamiento





Evacuar el sistema de A/C del vehículo

1. Seleccione **VACÍO**  en el **MENÚ PRINCIPAL**.
2. Seleccione Control de fugas de vacío, si desea, para hacer un control de fugas con aumento de presión de 5 minutos después del vacío.
3. Seleccione  para aceptar el tiempo de evacuación predeterminado de 10 minutos o introduzca el tiempo de vacío que desee con las teclas numéricas.
4. Conecte las mangueras de servicio a las tomas de servicio del vehículo.
5. Abra los acopladores de las mangueras girando a la derecha los collarines.
6. Abra las dos válvulas del panel.
7. Seleccione  para iniciar el proceso de vacío.

Nota: El proceso de vacío se detendrá si la presión aumenta por encima de 1,1 bar (16 psi). Recupere el refrigerante antes de continuar.

La máquina hace el vacío del sistema de A/C durante la cantidad de tiempo programado.

Para imprimir la información de vacío, seleccione  en máquinas equipadas con una impresora.

8. Seleccione  para volver al menú principal.

IMPORTANTE: La máquina hace vacío en el sistema de A/C del vehículo para eliminar la humedad del aire y de evaporación. Evacúe el sistema durante al menos 10 minutos para asegurar la eliminación adecuada de humedad y contaminantes, a menos que el fabricante del vehículo especifique otra cosa.




ADVERTENCIA: Para evitar lesiones personales al trabajar con refrigerante, lea y siga las instrucciones y advertencias de este manual y utilice equipos de protección como gafas y guantes.

Instrucciones de funcionamiento



Recarga del sistema de A/C del vehículo

1. Conecte las dos mangueras de servicio a las tomas de servicio del vehículo.
2. Seleccione **CARGA**  en el **MENÚ PRINCIPAL**.

La pantalla muestra:

Carga: XX.XXX kg
Ruta de carga: ALTO
Cant min carga: 10g

3. Utilice las teclas de flecha y el teclado numérico para introducir la cantidad de carga que desea. Seleccione **kg|lbs|oz** para cambiar las unidades.
4. Con las teclas de flecha, desplácese hasta la selección de la ruta de carga. El lado alto es la opción predeterminada. Seleccione **HSLS** para alternar entre las rutas de carga del lado alto, bajo y de ambos lados. La selección actual se indica en la pantalla.
5. Seleccione **▶▶** para continuar.

6. Siga las indicaciones en pantalla para ajustar las posiciones de las válvulas del panel según la ruta de carga especificada.


Nota: en este momento se puede inyectar aceite con el inyector Robinair 18480 o 18490 (se vende por separado).

7. Seleccione **▶▶** para iniciar el proceso de carga. Si mueve o golpea la máquina en este punto, se puede provocar una carga incorrecta. Cuando el ciclo de carga se acerca al valor de peso deseado, la máquina reduce la velocidad. Se cargará, asentará, cargará de nuevo, asentará, etc.

8. Siga las indicaciones en pantalla para realizar la ecualización de la manguera.

Nota: la ecualización de las mangueras requiere que el vehículo se ponga en marcha.

9. El usuario recibirá la indicación de cerrar las válvulas del acoplador y desconectar las mangueras del vehículo. Seleccione **▶▶** para recuperar cualquier refrigerante que quede en las mangueras.

10. Cuando aparezca la pantalla **CARGA COMPLETA**, verá que incluye un resumen de los resultados de la carga. El usuario puede seleccionar  para imprimir el resumen si hay una impresora instalada. Seleccione **▶▶** para regresar al menú principal.

El sistema de A/C del vehículo está ahora listo para su uso.



ADVERTENCIA: Para evitar lesiones personales al trabajar con refrigerante, lea y siga las instrucciones y advertencias de este manual y utilice equipos de protección como gafas y guantes.

Nota: el proceso de carga difiere de un vehículo a otro. La función de carga de vehículos equipados con un conector de servicio único debe llevarse a cabo de forma manual. Consulte el manual de servicio del vehículo para obtener instrucciones específicas.


PRECAUCIÓN: Si la válvula del acoplador del lado bajo (azul) o del lado alto (rojo) se deja abierta durante el proceso de limpieza de la manguera, el sistema volverá a extraer refrigerante del vehículo.

Instrucciones de funcionamiento



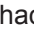


Función automática

La función **AUTOMÁTICA** permite al usuario realizar de forma automática una secuencia de recuperación, vacío, prueba de fugas y/o carga. Una secuencia automática total puede tardar hasta una hora en completarse.

1. Conecte las mangueras de servicio del lado alto (rojo) y lado bajo (azul) al sistema de A/C.
2. Abra los acopladores de las mangueras girando a la derecha los collarines.
3. Seleccione **AUTOMÁTICA**  en el **MENÚ PRINCIPAL**. La pantalla muestra:


Tiempo de vacío: XX:XX
Carga: XX.XXX kg
Ruta de carga: ALTO

4. Use el teclado numérico para introducir la duración de vacío deseada.
5. Utilice las teclas de flecha y el teclado numérico para introducir la cantidad de carga que desea. Seleccione **kg|lbs|oz** para cambiar las unidades.
6. Con las teclas de flecha, desplácese hasta la "selección de la ruta de carga". El lado alto es la opción predeterminada. Seleccione **H|S|L** para alternar entre las rutas de carga del lado alto, bajo y de ambos lados. El texto en la pantalla cambiará a la selección actual.
7. Seleccione **▶▶** para continuar.
8. Siga las indicaciones en pantalla para ajustar las posiciones de las válvulas.
9. Seleccione **▶▶** para iniciar el ciclo **AUTOMÁTICO**. Ahora la unidad procederá a través de todas las funciones aplicables: **RECUPERACIÓN, VACÍO y CARGA**.
Si la máquina detecta presión baja, siga las indicaciones en pantalla y seleccione  para continuar el ciclo automático con recuperación,  para hacer vacío, o  para cancelar.
10. Antes de cargar el sistema, la pantalla de la máquina se iluminará de color amarillo para indicar que se requiere la entrada del usuario. Siga las indicaciones en pantalla para ajustar las posiciones de las válvulas del panel según la ruta de carga especificada.

Nota: El aceite se puede inyectar en este momento usando un inyector de aceite manual.



ADVERTENCIA: Para evitar lesiones personales al trabajar con refrigerante, lea y siga las instrucciones y advertencias de este manual y utilice equipos de protección como gafas y guantes.

11. Seleccione **▶▶** para iniciar el proceso de carga. Si mueve o golpea la máquina en este punto, se puede provocar una carga incorrecta. Cuando el ciclo de carga se acerca al valor de peso deseado, la máquina reduce la velocidad. Se cargará, asentará, cargará de nuevo, asentará, etc.
12. Siga las indicaciones en pantalla para realizar la ecualización de la manguera.
Nota: la ecualización de las mangueras requiere que el vehículo se ponga en marcha.
13. El usuario recibirá la indicación de cerrar las válvulas del acoplador y desconectar las mangueras del vehículo. Seleccione **▶▶** para recuperar cualquier refrigerante que quede en las mangueras.
14. Cuando aparezca la pantalla **AUTOMÁTICA COMPLETA**, verá que incluye un resumen de los resultados. El usuario puede seleccionar  para imprimir el resumen si hay una impresora instalada. Seleccione **▶▶** para regresar al menú principal.

El sistema de A/C está ahora listo para su uso.

*Nota: la función **CARGA** para los vehículos equipados con un conector de servicio único debe llevarse a cabo de forma manual, de acuerdo con los procedimientos del manual de servicio del fabricante del vehículo.*

IMPORTANTE: La máquina hace vacío en el sistema de A/C del vehículo para eliminar la humedad del aire y de evaporación. Evacúe el sistema durante al menos 10 minutos para asegurar la eliminación adecuada de humedad y contaminantes, a menos que el fabricante del vehículo especifique otra cosa.

Planificación de mantenimiento

Tareas de mantenimiento	Intervalo recomendado
Cambio de filtro	Después de haber filtrado 68 kg (150 lb) de refrigerante. Consulte Mantenimiento del filtro en la sección Mantenimiento de este manual.
Cambio de aceite de la bomba de vacío	Cuando se cambie el filtro. Consulte Cambio de aceite de la bomba de vacío en la sección Mantenimiento de este manual.
Comprobación de funcionamiento fácil de ruedas giratorias y ruedas fijas	Mensualmente.
Control de calibración de la báscula interna	Mensualmente. Consulte Control de calibración en la sección Mantenimiento de este manual.
Control de fugas de la máquina	Mensualmente. Compruebe que las mangueras y conexiones no tengan fugas. Desconecte la alimentación, extraiga la carcasa y utilice un detector electrónico de fugas para comprobar las conexiones.
Limpieza del panel de salida de flujo de aire (vea Figure 4)	Mensualmente. Utilice un paño limpio.
Limpieza de la carcasa y el panel de control	Mensualmente. Utilice un paño limpio.
Inspección de cortes y abrasiones en el cable de alimentación y las mangueras	Diariamente.
Lubricación de los cojinetes de las ruedas e inspección de los componentes del freno	Mensualmente.
Prueba de presión	Cada 10 años. A cargo de un centro de servicios de Robinair autorizado.

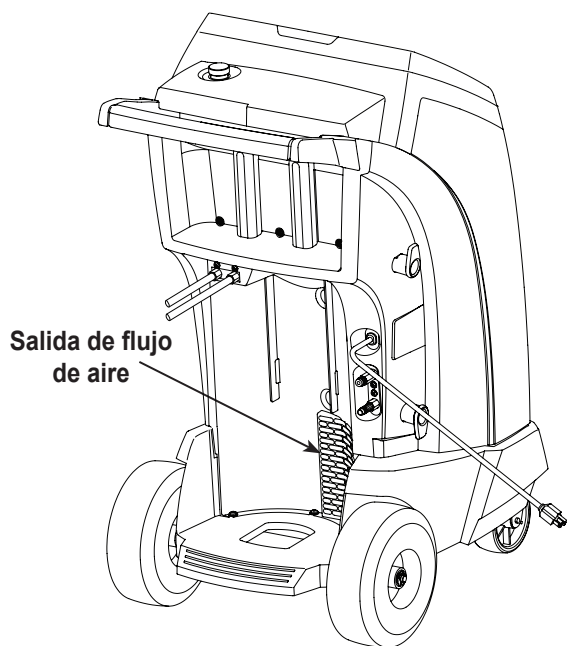


Figura 4



ADVERTENCIA: Para prevenir lesiones personales, solo personal cualificado puede realizar inspecciones y reparaciones a esta máquina. Lea y siga las instrucciones y advertencias de este manual y use equipos de protección como gafas y guantes.

Cargar idioma

Siga las instrucciones que aparecen a continuación para agregar o actualizar un idioma desde una tarjeta SD.

1. Elija **SELECCIONAR IDIOMA** en el **MENÚ DE CONFIGURACIÓN**.
2. Use las teclas de flecha para desplazarse hasta **CARGAR NUEVO**. Seleccione ✓.
3. Inserte la tarjeta SD que contiene los datos del idioma. Consulte la Figure 5.

Nota: el acceso a la ranura de la tarjeta SD puede requerir retirar la cubierta. Consulte la Figure 7 on page 23.

4. Siga las indicaciones para seleccionar el idioma que se va a cargar o a descargar. Si se carga un nuevo idioma, será necesario seleccionar el idioma al que sustituye.



Inserte la tarjeta SD que contiene el idioma nuevo o actualizado.



Figura 5

Llenado del depósito

Esta opción del menú se utiliza para transferir refrigerante desde un depósito de origen hasta el ISV.

La capacidad máxima del depósito de almacenamiento interno (ISV) es de 10 kg. Utilice las flechas para mover el cursor y el teclado para introducir un valor.

Nota: agregue al menos 3,6 kg de refrigerante para asegurar que haya suficiente disponible para cargar.

1. La máquina muestra los campos de la cantidad deseada de llenado del depósito y de refrigerante recuperable (capacidad de recuperación) dentro del depósito de almacenamiento interno (ISV). Introduzca la cantidad deseada de llenado del depósito.
2. Instale el adaptador del depósito (se incluye) en el depósito de origen.
3. Conecte el acoplador de manguera de servicio del lado bajo al adaptador del depósito.
4. Abra la válvula del depósito de origen, la válvula del acoplador del lado bajo y la válvula del panel del lado bajo.
5. Sitúe el depósito de origen de tal forma que el refrigerante líquido llegue a la conexión.
6. Seleccione  para iniciar el proceso de llenado del depósito. La máquina comienza a llenar el depósito de almacenamiento interno (ISV). Agregue al menos 3,6 kg de refrigerante para asegurar que haya suficiente disponible para cargar. Este proceso tarda entre 15 y 20 minutos.
7. La máquina se detiene cuando la cantidad asignada de refrigerante se ha transferido al ISV o cuando el depósito de origen está vacío. Siga los mensajes que aparecen en la pantalla.
8. Cierre la válvula del depósito de origen.
9. Seleccione  para completar la configuración inicial.

La máquina está lista para funcionar.

Notas:

- *No hay necesidad de calibrar la báscula, ya viene calibrada de fábrica.*
- *Tras completar el proceso de llenado del depósito, la pantalla no muestra la misma cantidad que el nivel de llenado programado.*
- *La pantalla muestra la cantidad de refrigerante que está disponible para cargar, que es aproximadamente 0,67 kg (1,4 lb) menos que la cantidad total de refrigerante que hay en el depósito.*
- *Para un rendimiento óptimo durante la operación de llenado del depósito, verifique que la orientación del depósito de origen sea correcta. Es posible que se deba invertir algunos depósitos para el suministro de líquido.*



ADVERTENCIA: Para evitar lesiones personales al trabajar con refrigerante, lea y siga las instrucciones y advertencias de este manual y utilice equipos de protección como gafas y guantes.

Capacidad de carga: la cantidad de refrigerante del ISV que se puede cargar en un sistema de A/C de un vehículo.

Capacidad de recuperación: la cantidad de refrigerante adicional que podría recuperarse en el ISV.

Mantenimiento

Mantenimiento del filtro

El filtro está diseñado para atrapar el ácido y las partículas y para eliminar la humedad del refrigerante. Para cumplir el imperativo de humedad adecuada y eliminación de contaminantes, el filtro debe cambiarse tras haber filtrado 68 kg (150 lb) de refrigerante.

La máquina avisa cuando se han usado 57 kg (125 lb) de la capacidad del filtro; cuando se llega a los 68 kg (150 lb) de la capacidad del filtro, la máquina se bloquea y deja de funcionar.

Control de la capacidad restante del filtro

1. Seleccione **MANTENIMIENTO DE FILTRO** en el **MENÚ DE CONFIGURACIÓN** o cuando la máquina lo indique. La máquina muestra:

Capacidad filtro restante: XXX.XO kg
¿Camb. filtro ahora?

La máquina muestra la cantidad de capacidad que le queda al filtro hasta que la máquina se apague.

2. Seleccione para cambiar el filtro; seleccione para reanudar el uso de la máquina.

⚠ ADVERTENCIA: Los componentes de la máquina están a alta presión. Para evitar lesiones personales, cambie el filtro solo cuando la máquina lo indique.



ADVERTENCIA: Para evitar lesiones personales al trabajar con refrigerante, lea y siga las instrucciones y advertencias de este manual y utilice equipos de protección como gafas y guantes.

Cambio del filtro

1. Si se seleccionó ✓ para cambiar el filtro, la máquina indica que se introduzca el código del nuevo filtro.

Intr. núm. serie filtro nuevo

Use el teclado para introducir el número de serie que aparece en el nuevo filtro y seleccione ✓ para continuar.

Nota: si aparece "Número de serie no válido", el número de serie no se ha introducido correctamente o el filtro ya se ha utilizado en esta máquina.

2. La máquina borra el filtro anterior y muestra:

Número de serie aceptado
Apagar unidad y replaz filtro

Apague la máquina. Retire la botella de drenaje de aceite. Extraiga los cuatro tornillos que sujetan la cubierta. Consulte la Figure 6.

3. Cuelgue la cubierta en la parte posterior de la máquina como se muestra en la Figure 7.
4. Retire el filtro girándolo a la izquierda (visto desde el fondo del filtro).
5. Examine el nuevo filtro. Verifique que las dos juntas tóricas estén lubricadas y ubicadas correctamente en las ranuras.
6. Instale el nuevo filtro girándolo a la derecha hasta su posición. Verifique que el filtro esté ubicado correctamente como se muestra en Figure 7. Apriete el filtro a 20 Nm.
7. Encienda la máquina. Se iniciará la operación de cambio de aceite de la bomba de vacío y la pantalla mostrará

Cal aceite para dren: XX:XX

Consulte Change Vacuum Pump Oil para ver más información.

Después, la máquina iniciará la operación de control de fugas. Consulte la sección Leak Check para ver más información.

Precaución: para evitar daños en el equipo, utilice solo filtros originales n.º de ref. 34724 de Robinair en esta máquina. Todas las pruebas de funcionamiento y afirmaciones se basan en el uso de este filtro específico.

Extraiga los cuatro tornillos que sujetan la cubierta.

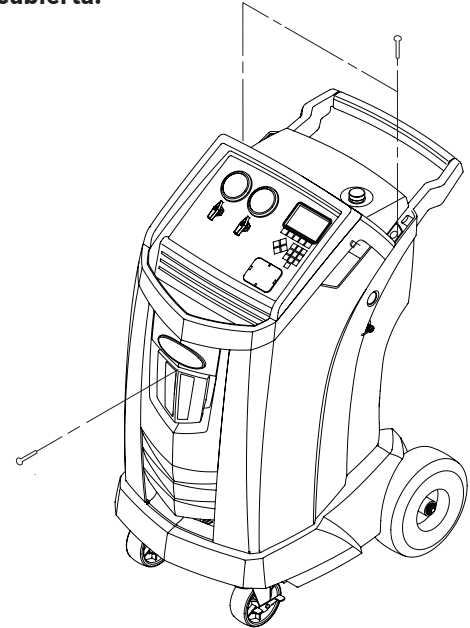


Figura 6

Cuelgue la cubierta aquí

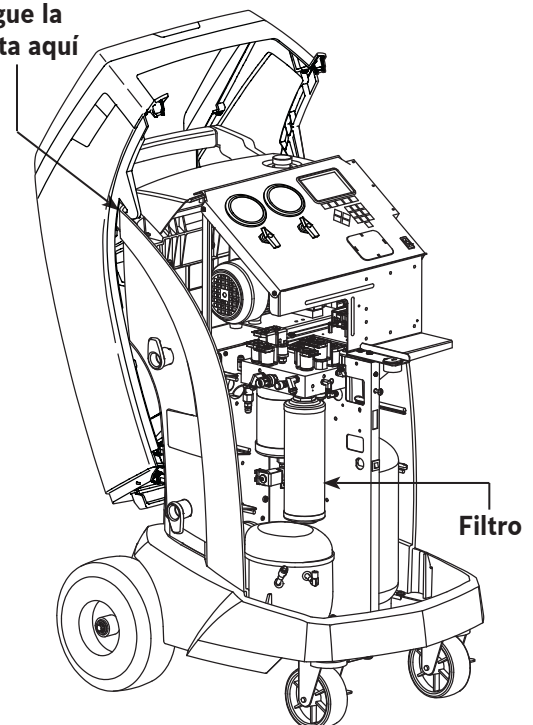


Figura 7

Mantenimiento

Control de calibración

Esta función se utiliza para garantizar que la báscula interna de la máquina esté siempre calibrada. Durante esta prueba, utilice únicamente el peso de calibración que se suministra con la máquina.

1. Consulte la Figure 8 y verifique que el imán de la parte inferior de la máquina esté limpio.
2. Seleccione **CONTROL DE CALIBRACIÓN** en el **MENÚ DE CONFIGURACIÓN**. La máquina muestra:

Coloque el peso de calibración en el imán situado en la base de la máquina.

3. Fije el peso de calibración al imán en la parte inferior de la máquina. Seleccione ✓ para continuar.
4. La máquina muestra:

Retire el peso de calibración pequeño de la báscula.

Retire el peso de calibración del imán. Seleccione ✓ para continuar.

- Si la pantalla muestra:

Aprobó comprob calibra

la báscula la báscula está calibrada. Seleccione ►► para volver al menú de configuración.

- Si la pantalla muestra:

Falló comprob calibra. ¿Reint?

la báscula no está calibrada. Para reintentar, seleccione ↺. Si la calibración sigue fallando, póngase en contacto con un centro de servicio Robinair autorizado.

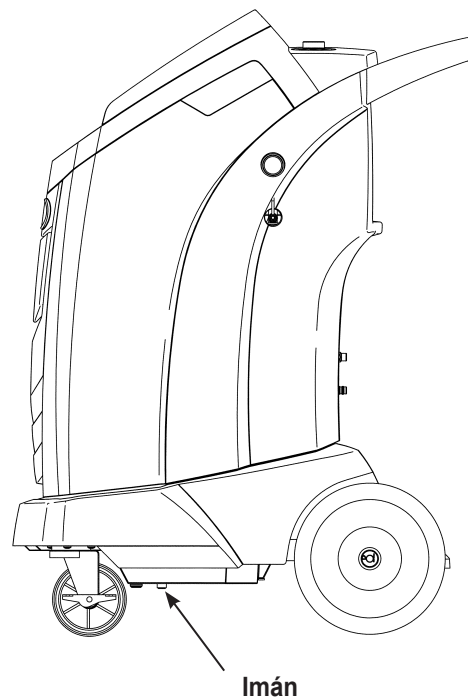


Figura 8

Cambio de aceite de la bomba de vacío

1. Seleccione **MANTENIMIENTO DE BOMBA** en el **MENÚ DE CONFIGURACIÓN** o cuando se le indique. La pantalla muestra:

Durac. rest. aceite:
XXX:XX (hhh:mm)
¿Cambiar acei?

2. Seleccione para cambiar el aceite de la bomba de vacío. Si la máquina muestra:

Cal aceite para dren XX:XX deje funcionar la bomba de vacío durante dos minutos para calentar el aceite. Si el aceite ya está caliente, la pantalla muestra:

Drene aceite usado bomba y reemplace con aceite nuevo.
Quite tapón llenar para aligerar dren.

3. **DESPACIO**, abra el tapón de llenado de aceite para verificar que no haya presión en la máquina. A continuación, retire el tapón con cuidado. Consulte la Figure 9.

4. Retire la tapa del conector de drenaje de aceite y drene el aceite en un recipiente adecuado para su eliminación. Vuelva a colocar el tapón y cierre herméticamente. Seleccione **▶▶** para continuar.

5. La máquina muestra:

Llene bomba vacío hasta centro vidrio visor.
Reemp. tapón llen

Añada despacio aceite a la bomba de vacío a través de la toma de llenado hasta que el aceite alcance el centro de la mirilla. Instale la tapa en la toma de llenado de aceite y cierre herméticamente. Seleccione **▶▶** para volver al **MENÚ DE CONFIGURACIÓN**.

Notas:

- Para que el nivel de aceite sea correcto, asegúrese de que la máquina esté sobre una superficie plana y nivelada.
- El aceite de bomba de vacío Robinair está disponible en varios tamaños. Consulte la sección "Piezas de repuesto".

⚠ ADVERTENCIA: Para evitar lesiones personales, **NO** haga funcionar la máquina en ningún momento sin el tapón de la toma de llenado puesto, ya que la bomba de vacío se presuriza durante el funcionamiento normal.

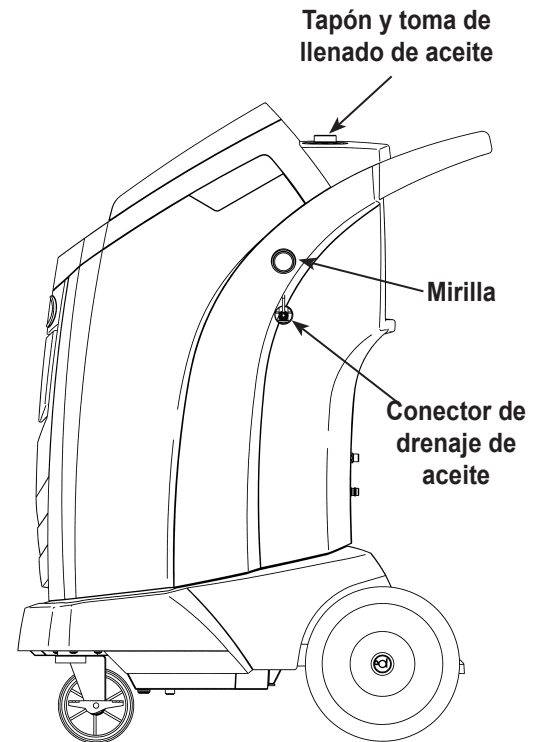


Figura 9

PRECAUCIÓN: es responsabilidad del usuario controlar el nivel y la claridad del aceite de la bomba de vacío. Si el aceite contaminado no se extrae de la bomba de vacío y se reemplaza, la bomba de vacío quedará dañada permanentemente.

Mantenimiento

Control de fugas

Se puede realizar una prueba de fugas en la máquina en cualquier momento. Durante esta prueba, los componentes que contienen refrigerante están presurizados. Se requiere un detector de fugas electrónico.

Nota: la función del control de fugas es verificar la existencia de fugas en la unidad Robinair y sus componentes únicamente. Este procedimiento no es para verificar la existencia de fugas en el sistema de aire acondicionado del vehículo.

1. Seleccione **CONTROL DE FUGAS** en el **MENÚ DE CONFIGURACIÓN**. La máquina muestra:

Conecte mang servicio a puertos almacenam y abra válv acoplador.

2. Conecte los acopladores de las mangueras de servicio a las tomas de almacenamiento en la parte trasera de la máquina. Abra los acopladores girando los collarines a la derecha. Lleve las válvulas del panel a la posición abierta.
3. Retire y guarde la cubierta como se muestra en Figure 6 y Figure 7.
4. Seleccione ✓ para comenzar. La máquina realiza una recuperación automática y muestra:

Recuper en progreso

La máquina realiza una prueba de vacío de 30 segundos y muestra:

Verif fuga vacío proceso

Si la prueba de vacío falla, la máquina le pedirá que verifique que no haya fugas.

Una vez que la máquina pase la prueba de vacío, se aplica una presión controlada. La máquina muestra:

Revisión fuga presión proce.

5. Escanee los componentes internos y externos de la máquina con el detector de fuga, específicamente áreas de alto riesgo como mangueras y conectores.
6. Seleccione ✓ para continuar. La máquina hace una autorrecuperación para despejar el refrigerante usado para la prueba de fugas y el proceso está completo.

PRECAUCIÓN: si se detecta una fuga, póngase en contacto con un centro de servicio Robinair autorizado.



ADVERTENCIA: Para evitar lesiones personales al trabajar con refrigerante, lea y siga las instrucciones y advertencias de este manual y utilice equipos de protección como gafas y guantes.



ADVERTENCIA: Para evitar lesiones personales en caso de que la máquina requiera ser transportada a un centro de servicio Robinair local, siga la normativa local sobre transporte de equipos que contengan R-134a.

Editar encabezado de impresión

Para realizar cambios en el texto que aparece en esta pantalla:

1. Seleccione **EDITAR ENCABEZADO DE IMPRESIÓN** en el **MENÚ DE CONFIGURACIÓN**.
2. El cursor se encuentra en el primer campo. Actualice el texto con las flechas y la interfaz multitáctil del teclado numérico:
 - La **FLECHA IZQUIERDA** y **⬅** actúan como una tecla de retroceso.
 - La **FLECHA DERECHA** mueve el cursor a la derecha.
 - La tecla **CERO (0)** actúa como barra espaciadora.
 - Las teclas de **FLECHA ARRIBA** y **ABAJO** permiten el desplazamiento entre las filas.
3. Seleccione **✓** para guardar los cambios y volver al Menú de configuración; seleccione **✕** para volver al encabezado anterior y salir al Menú de configuración.

Cambiar el papel de la impresora

Para instalar un nuevo rollo de papel en la impresora:

1. Para retirar la tapa de la impresora, tire de la lengüeta como se muestra en Figure 10.
2. Quite el núcleo del papel.
3. Instale el nuevo rollo de papel con el extremo en la parte superior del rollo.
4. Monte la cubierta en la impresora con el borde delantero del papel sobre el rodillo.

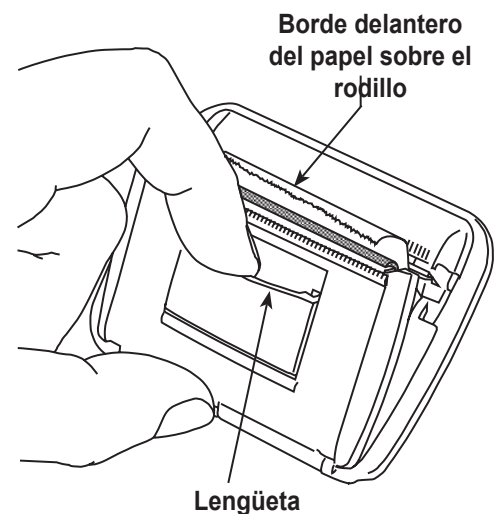


Figura 10

Mantenimiento

Instalación de una impresora

1. **APAGUE** la máquina y desconéctela de su fuente de alimentación.
 2. Retire la botella de drenaje de aceite.
 3. Extraiga los cuatro tornillos que sujetan la cubierta. Consulte la Figure 6.
 4. Cuelgue la cubierta en la parte posterior de la máquina como se muestra en la Figure 7.
 5. Retire los dos tornillos de las esquinas superiores del panel de control, permitiendo que el panel de control bascule hacia delante.
 6. Para retirar la tapa del espacio reservado para ubicar la impresora, presione las lengüetas de la tapa desde la parte posterior del panel de control y empuje la tapa hasta sacarla del panel.
 7. Extraiga los dos brazos de bloqueo de la impresora insertando la cara de un destornillador de cabeza plana bajo cada lengüeta próxima a la parte trasera de su brazo de bloqueo. Haga palanca en la pestaña hacia afuera mientras desliza y aleja el brazo entero de la impresora.
 8. Coloque la impresora en el espacio reservado del panel de control. Presione la cara de la impresora hasta que quede al ras con el panel, orientada con la salida de papel en la parte superior de la impresora, como se muestra en Figure 10.
 9. Vuelva a colocar los brazos de bloqueo de la impresora desde el interior del panel de control. Empújelos hacia adelante hasta que entren firmemente en contacto con la cara interna del panel de control.
 10. Use el mazo de cables que se incluye con la impresora para hacer la conexión con el tablero de control, como se muestra en Figure 11. Los cables están marcados con las etiquetas de los conectores respectivos.
 11. Fije los dos conectores libres a los conectores apropiados en la parte posterior de la impresora.
 12. Gire el panel de control en su lugar y fíjelo con los dos tornillos que retiró en el paso 5.
 13. Monte la cubierta de nuevo sobre la máquina e instale los tornillos extraídos en el paso 3.
 14. Vuelva a instalar la botella de drenaje de aceite.
- La impresora ya está lista para su uso.

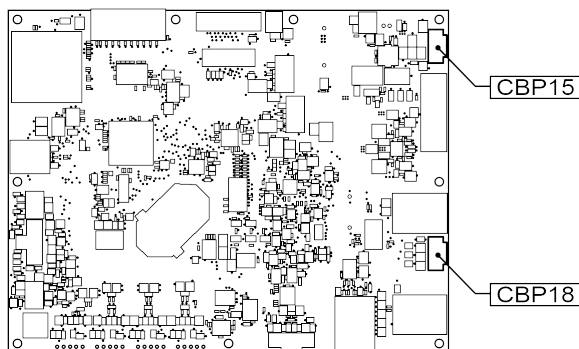


Figura 11

Piezas de repuesto

Componente	Pieza de repuesto n.º
Peso de calibración	16214
Filtro	34724
Botella de drenaje de aceite	19100
Impresora	30038
Papel de impresora (3 rollos)	34214
Acoplador de servicio de baja presión	18190A
Acoplador de servicio de alta presión	18191A
Juego de acopladores de servicio (acopladores de lado alto [rojo] y lado bajo [azul])	18192
Juego de mangueras sin acopladores (lado alto [rojo] y lado bajo [azul])	71789
Manguera de servicio sin acoplador (lado bajo, azul)	70020
Manguera de servicio sin acoplador (lado alto, rojo)	70021
Adaptador de llenado del depósito	16301
Inyector de aceite (PAG)	18480
Inyector de aceite (POE)	18490
Aceite de bomba de vacío (pinta)	13119
Aceite de bomba de vacío (1/4 de galón)	13203
Aceite de bomba de vacío (galón)	13204
Cubierta de polvo de vinilo (opcional)	17499



ADVERTENCIA: Para evitar lesiones personales, utilice solamente los recambios indicados en esta lista. Robinair ha probado y seleccionado cuidadosamente los artículos que se encuentran en esta lista de recambios.

Glosario

Sistema de A/C: El sistema de aire acondicionado del vehículo al que se realiza mantenimiento.

Evacuación: La humedad y otros gases no condensables se eliminan de un sistema de A/C gracias a una bomba de vacío.



Depósito de almacenamiento interno (ISV): El depósito de almacenamiento de refrigerante rellenable diseñado específicamente para esta máquina tiene 10 kg (22 lb) de capacidad.

Máquina: Modelo n.º 34288NI.





Recuperación/reciclado: El refrigerante se recupera de un sistema de A/C, se filtra y se almacena en el ISV.

Refrigerante: R-134a.

Solución de problemas

Pantalla	Causa	Solución
FALLÓ COMPROB CALIBRA	La báscula interna no está calibrada.	Seleccione  para reintentar el control de calibración. Si la calibración sigue fallando, salga de la prueba y llame a un centro de servicio autorizado Robinair para que efectúe su reparación.
¡CARGA ATASCADA!	El refrigerante se ha atascado en el ISV o en la máquina.	Verifique que las conexiones sean seguras y que las válvulas estén en posición correcta.
BASE DATOS NO DISPONI	La máquina no se suministra con la base de datos instalada.	Póngase en contacto con un centro de servicio autorizado Robinair para obtener más información.
PESO EXCESIVO TAN	Circuito de seguridad por exceso de llenado activado. La máquina se bloquea debido a un exceso de refrigerante en el ISV.	Póngase en contacto con un centro de servicio autorizado Robinair para obtener más información.
CAPACIDAD FILTRO AGOTADA. REEMPLAZAR EL FILTRO. FILTRADO:XXX.XYY ¿CAMB FILTRO YA?	Se han recuperado 68 kg (150 lb) o más de refrigerante desde el último cambio de filtro.	Consulte la sección Mantenimiento de filtro de este manual para ver las instrucciones sobre el cambio del filtro.
NÚMERO FILTRO YA ESTÁ EN USO. ¿REINT O SALIR?	El número de serie introducido en la máquina no es correcto.	El filtro ya se ha utilizado en esta máquina. Consiga un nuevo filtro Robinair, n.º de ref. 34724.
PRESIÓN ALTA TAN	La máquina está bloqueada porque la presión en el ISV es demasiado alta, posiblemente debido a una temperatura excesivamente alta en el depósito.	Deje que la máquina se enfríe antes de realizar un servicio adicional de A/C. Si el problema continúa, póngase en contacto con un centro de servicio autorizado Robinair para obtener más información.
PRESIÓN ENTRADA MUY ALTA PARA VACÍO	Antes de que la máquina comience a vaciar el sistema de A/C, compruebe si hay presión en el sistema que pueda dañar la bomba de vacío. En este caso, la presión del sistema está por encima de 0,62 bar (9 psi) manométricos.	Seleccione  . Consulte la sección Recuperación de este manual para recuperar el refrigerante antes de continuar.
REFRIGER INSUFICIENTE DISPONIBLE PARA CARGA. SELECCIO: XX.XXYY DISPON: XX.XXYY	Tras la introducción del peso deseado, si el proceso de carga dejará menos de 0,67 kg (1,4 lb) de refrigerante en el ISV, la función de carga no se iniciará.	Consulte Depósito lleno en la sección Mantenimiento de este manual.

Solución de problemas

Pantalla	Causa	Solución
CÓDIGO INVÁLIDO	El código de activación introducido en la máquina no es correcto.	Verifique que el código de activación se escriba exactamente como se recibió. Se distinguen mayúsculas y minúsculas.
NÚMERO SERIE NO VÁLIDO	El número de serie introducido en la máquina no es correcto.	Verifique que el número de serie introducido coincida con el número de serie del filtro. Compruebe que el filtro no se haya utilizado previamente en la máquina.
NO PRESIÓN ENTRADAS. REVISE CONEXIONES ¿REC DE TD MDS?	La presión del sistema es inferior a 0,62 bar (9 psi) manométricos.	Verifique que las mangueras del lado alto (rojo) y del lado bajo (azul) estén conectadas y que las válvulas del panel y de los acopladores estén abiertas. Seleccione  para RECUPERAR; seleccione  para desviar la recuperación y proceder al VACÍO.
DREN ACEDETEN	Las condiciones internas de la máquina han causado que el proceso de drenaje de aceite demore un tiempo excesivo.	Seleccione  para reintentar; seleccione  para salir. Si al reintentar no se resuelve el problema y el ISV contiene al menos 0,67 kg (1,4 lb) de refrigerante, póngase en contacto con un centro de servicio autorizado de Robinair.
FUERA RANGO PRESIÓN ACUMULADOR	El transductor de presión del acumulador lee una presión fuera del rango operativo normal.	Salga de la prueba actual y póngase en contacto con un centro de servicio autorizado Robinair para obtener más información.
PRESIÓN ISV FUERA RANGO	El transductor de presión del depósito de almacenamiento interno lee una presión fuera del rango operativo normal.	Salga de la prueba actual y póngase en contacto con un centro de servicio autorizado Robinair para obtener más información.
TEMPERATURA ISV FUERA RANGO	El sensor de temperatura del depósito de almacenamiento interno lee una temperatura fuera del rango operativo normal.	Salga de la prueba actual y póngase en contacto con un centro de servicio autorizado Robinair para obtener más información.
FALLÓ COMUNICACIÓN TARJ. ENERGÍA	Error de comunicación entre placas de control dentro de la máquina.	Encienda y apague. Si el problema continúa, póngase en contacto con un centro de servicio autorizado Robinair para obtener más información.

Solución de problemas

Pantalla	Causa	Solución
DEPÓSITO ORI VACÍO	No se puede transferir refrigerante al ISV.	<i>Si se han verificado todas las conexiones y las posiciones de las válvulas, salga de la prueba actual y reemplace el depósito de origen.</i>
TANQUE LLEN. ELIMIN REFRIGER ANTES DE CONTINUAR	El ISV está demasiado lleno para recuperar el refrigerante adicional.	<i>Lleve a cabo un proceso de carga para extraer el refrigerante del ISV antes de cualquier intento de recuperación adicional.</i>
TERMINÓ PERIODO PRUEBA. DEBE ACTIVAR UNIDAD PARA CONTINUAR USO.	En caso de no registrar ni activar la máquina en un plazo de 30 días tras la puesta en marcha inicial, la máquina se bloqueará y dejará de funcionar.	<i>Seleccione ✓ y consulte la sección Activación de la unidad de este manual para registrar la máquina.</i>

Almacenamiento y transporte del equipo

Almacenamiento

Nunca deje la máquina conectada si no tiene previsto utilizarla de inmediato.

1. Desconecte la máquina de su fuente de alimentación.
2. Enrolle los manguitos de servicio alrededor del asa dos veces y conéctelos a las tomas de almacenamiento. Consulte la Figure 12.
3. Guarde la máquina en un lugar seco y estable, lejos de llamas y superficies calientes. La temperatura de la zona de almacenamiento debe oscilar entre $-18\text{ }^{\circ}\text{C}$ y $60\text{ }^{\circ}\text{C}$ ($0\text{ }^{\circ}\text{F}$ y $140\text{ }^{\circ}\text{F}$).
4. Bloquee las ruedas delanteras.

Transporte del equipo


 **ADVERTENCIA:** Para evitar lesiones personales en caso de que la máquina requiera ser transportada a un centro de servicio Robinair local, siga las normativas del gobierno local sobre transporte de equipos que contengan R-134a.



Figura 12

Desecho del equipo



Al final de su vida útil, deseche la máquina de R-134a según las normativas del gobierno vigentes.

- La administración pública y los fabricantes de equipos eléctricos/electrónicos (AEE) se comprometen a facilitar los procesos de reutilización y recuperación de equipos eléctricos/electrónicos usados a través de la organización de actividades de recolección y de la utilización de mecanismos de planificación adecuados.
- No se deshaga de este equipo como si fuera un residuo sólido urbano. Disponga que lo recojan por separado. El desecho no autorizado de los equipos eléctricos/electrónicos usados lo castiga la ley con las penas adecuadas.
- La reutilización y el correcto reciclado de los equipos eléctricos/electrónicos (EEE) son necesarios para la protección del medio ambiente y el bienestar de los seres humanos.

Desecho de materiales reciclados

Es responsabilidad del usuario determinar si un material es un residuo peligroso en el momento de desecharlo. El usuario debe garantizar el cumplimiento de todas las leyes y reglamentos aplicables.

1. Entregue el refrigerante recuperado de los sistemas de A/A a los proveedores de gas para su reciclado o eliminación.
2. Entregue los lubricantes extraídos de los sistemas de A/A a los centros de recogida de aceites usados.
3. Revise las leyes de su jurisdicción a fin de determinar los procedimientos de eliminación correctos del aceite de la bomba.

Desecho de la máquina

1. Separe y ventile el gas del circuito de la máquina. Descargue completamente el depósito de refrigerante de acuerdo con la normativa vigente aplicable.
2. Entregue la máquina a un centro de eliminación adecuado.

Desecho de las baterías



Al final de su vida útil, deseche las baterías conforme a la normativa vigente aplicable. Las baterías deben reciclarse o desecharse correctamente. No tire las pilas como si fueran residuos normales.



ADVERTENCIA: Para evitar lesiones personales, no arroje las pilas al fuego.

Avisos de licencias de software

AVISOS DE LICENCIA DE SOFTWARE DE BOSCH AUTOMOTIVE SERVICE SOLUTIONS

Copyright © 2014 Robert Bosch GmbH. Todos los derechos reservados.

Bosch Automotive Service Solutions
28635 Mound Road
Warren
MI 48092
EE. UU.

Números telefónicos
EE. UU. 800-533-6127
EMEA +49 (0) 6182 959-225

Este software de Bosch Automotive Service Solutions se libera bajo el acuerdo de licencia de software que se presenta cuando se activa el producto.

Todos los otros nombres de productos o servicios son propiedad de sus respectivos dueños.

Las marcas comerciales registradas de sus respectivas empresas se reconocen expresamente en este documento.

Los siguientes avisos se relacionan con esta licencia de software de Bosch Automotive Service Solutions:

1. Este producto contiene bibliotecas de IAR estándar. El acuerdo de la licencia de software de IAR se presenta a continuación y está ubicado en http://www.iar.com/Global/Products/Software_licenses/SLA_February_2013.pdf.

La biblioteca de IAR estándar incluye software de terceros según se declara en el documento de licencias de terceros que aparece a continuación y está ubicado en

http://www.iar.com/Global/Products/Software_licenses/3rdpartyLicenses.html

2. Este producto contiene LibTomCrypt, que es un conjunto de herramientas criptográficas bastante completo, modular y portátil que proporciona a los desarrolladores una amplia gama de cifradores por bloques publicados bien conocidos, funciones hash unidireccionales, modos de encadenamiento, generadores de números pseudoaleatorios, criptografía de claves públicas y muchas otras rutinas. <http://www.libtom.org>. LibTomCrypt es de dominio público, como debe serlo todo software de calidad. Tom St Denis
3. Este producto contiene el software Freescale como parte del BSP para microcontrolador Freescale. Consulte los acuerdos de licencia del semiconductor Freescale para ver los términos de uso que se informan a continuación y que están ubicados en

https://www.freescale.com/webapp/sps/download/license.jsp?colCode=DL-MQX-CX&prodCode=MQX&appType=file2&location=null&DOWNLOAD_ID=null&fsrch=1&sr=1&pageNum=1&Parent_nodeId=&Parent_pageType

Acuerdo de licencia de software de IAR

Sobre los productos: IAR Embedded Workbench® y visualSTATE® de IAR Systems AB

PREÁMBULO

ESTE ACUERDO DE LICENCIA DE SOFTWARE (“EL ACUERDO”) SE APLICA A LOS PRODUCTOS DE LOS CUALES IAR SYSTEMS AB, INCLUSO CUALQUIERA DE SUS SUBSIDIARIAS (“IAR SYSTEMS”) O DISTRIBUIDORES (“DISTRIBUIDORES DE IAR”), LE OTORQUE LICENCIA A USTED (“EL LICENCIATARIO”).

La confirmación del pedido de IAR Systems o, cuando aplique, el acuerdo entre IAR Systems y el licenciataria, estipulará, además del producto con licencia aplicable y el costo de la licencia (que también se informará en la factura), a) si la Licencia en cuestión es una licencia que está bloqueada en la PC o una licencia para varios usuarios, b) en caso de una licencia para varios usuarios, la cantidad de usuarios permitida, c) si la licencia incluye el servicio de soporte y de actualización por tiempo limitado y, en dichos casos, la fecha de vencimiento de dicho servicio. La apertura de cualquier paquete en el cual se han estipulado o indicado estos términos y cualquier uso del software de IAR Systems están sujetos a estos términos y condiciones.

USTED, COMO USUARIO DE LOS PRODUCTOS CON LICENCIA INDICADOS ANTES Y EN LA FACTURA, COMPROMETERÁ A LA CORPORACIÓN U ORGANIZACIÓN TAMBIÉN ESTIPULADA EN LA FACTURA CON ESTE ACUERDO AL ABRIR EL PAQUETE O INSTALAR EL SOFTWARE EN QUE ESTE ACUERDO SE HA ESTIPULADO O MENCIONADO. SI NO ESTÁ DE ACUERDO CON LOS TÉRMINOS DE ESTE ACUERDO O NO TIENE LA AUTORIDAD PARA COMPROMETER A SU CORPORACIÓN U ORGANIZACIÓN CON ESTOS TÉRMINOS, DEBERÁ CONTACTAR DE INMEDIATO A IAR SYSTEMS Y NO PUEDE INSTALAR NINGÚN SOFTWARE NI HACER USO DE NINGUNA PARTE DE ESTE PRODUCTO.

1. DEFINICIONES

Los siguientes términos tienen el significado estipulado a continuación cuando se utilicen en este Acuerdo:

1.1 **“Software ejecutable”** significa una copia de la versión de código ejecutable de los programas de software que forman parte del paquete incluido o especificado de otra forma en este Acuerdo o en la factura (incluso cualquier módulo en tiempo de vínculo y en tiempo de ejecución), junto con plantillas y otras instrucciones y cualquier revisión y módulo y plantilla adicional (si los hay) que el licenciataria pueda recibir periódicamente de IAR Systems según este acuerdo.

1.2 **“Código fuente del software”** tiene el significado estipulado en la sección 3.7.

1.3 **“Software”** es un término colectivo para el software ejecutable y el código fuente del software, según se definió antes.

1.4 **“Documentación”** significa una copia de la documentación, como la proporciona IAR Systems junto con el software para el uso del licenciataria.

1.5 **“Producto”** significa el software y la documentación que se le otorga mediante licencia al licenciataria, según las condiciones estipuladas en este Acuerdo.

1.6 **“Factura”** significa la factura de IAR Systems o el distribuidor de IAR emitida al licenciataria por la licencia del producto que se otorga por el presente Acuerdo.

1.7 **“Licencia bloqueada en la PC”** tiene el significado estipulado en la sección 3.2.

1.8 **“Licencia móvil”** tiene el significado estipulado en la sección 3.3.

1.9 **“Licencia para varios usuarios”** tiene los significados estipulados en la sección 3.4.

1.10 **“Licencia de red”** tiene los significados estipulados en la sección 3.5.

1.11 **“Licencia global de red”** tiene los significados estipulados en la sección 3.6.

1.12 **“Usuarios concurrentes”** tiene el significado estipulado en la sección 3.7.

1.13 **“Licencia en tránsito”** tiene el significado estipulado en la sección 3.8.

1.14 **“Licencia de evaluación”** tiene los significados estipulados en la sección 3.12.

1.15 **“Sitio”** significa la ubicación física del licenciataria dentro de los límites de una ciudad.

1.16 **“Arquitectura de destino”** significa la familia o grupo de dispositivos microcontroladores y microprocesadores integrados que pertenecen a la arquitectura de un procesador, como se define en su conjunto de instrucciones y se especifica en la factura.

1.17 **“Servicios de soporte y actualización”** significa los servicios que se estipulan en la sección 12.

2. PLAZO DEL ACUERDO

2.1 Este Acuerdo entrará en vigor a más tardar cuando el licenciataria reciba el software y permanecerá vigente por un tiempo indefinido, sujeto a los términos y condiciones estipulados a continuación; en particular en cuanto al derecho de IAR Systems a terminar el Acuerdo por incumplimiento del licenciataria. El registro del licenciataria como usuario legítimo de los productos con licencia se hará de acuerdo con las instrucciones aplicables de IAR Systems.

2.2 Para evitar cualquier duda: También para el software entregado con una clave de licencia temporal (que se denomina clave de inicio rápido para algunos productos) que permite el uso por un tiempo limitado, los términos del Acuerdo entran en vigor, incluso, entre otras cosas, para los plazos de pago y las restricciones de uso, cuando el licenciataria reciba el software, independientemente de que se haya o no realizado el registro. (Se dispone de licencias de evaluación sin obligación de pagar costos de licencia por una duración dispuesta por separado por IAR Systems.)

3. PROPIEDAD Y OTORGAMIENTO DE LICENCIA

3.1 IAR Systems es titular del copyright, secretos comerciales y otros derechos de propiedad intelectual que subsistan en el producto con licencia y todas sus copias. No se trasladará ningún título u otros derechos contenidos en el producto con licencia (excepto los derechos expresamente otorgados en este Acuerdo) al licenciataria.

SE OTORGA UNA LICENCIA DEL PRODUCTO, NO SE LO VENDE, AL LICENCIATARIO PARA EL USO ÚNICAMENTE SEGÚN LOS TÉRMINOS DE ESTE ACUERDO. EL LICENCIATARIO RECONOCE QUE EL PRODUCTO CONSTA DE PRODUCTOS QUE SON PROPIEDAD EXCLUSIVA, NO PUBLICADOS DE IAR SYSTEMS, PROTEGIDOS POR LEYES DE COPYRIGHT Y DE SECRETO COMERCIAL INTERNACIONALES.

Acuerdo de licencia de software de IAR

3.2 Licencia bloqueada en la PC: Los términos de 3.2.a y 3.2.b aplicarán si la licencia relevante otorgada es una licencia bloqueada en la PC.

Una licencia bloqueada en la PC es una licencia para un solo usuario que se bloquea en la computadora donde el software está instalado.

3.2.a Sujeto a los términos y condiciones de este Acuerdo, IAR Systems por medio del presente otorga al licenciatarario una licencia personal, no transferible y no exclusiva, bloqueada en la PC, para utilizar el software. El número de usuarios autorizados del licenciatarario para usar el software según la licencia bloqueada en la PC, si es más de uno, se estipula en la factura o en otro documento de IAR Systems.

3.2.b El licenciatarario puede usar la licencia bloqueada en la PC en una sola unidad de computadora autocontenida (fija o portátil), designada a través de una dirección IP u otro medio de identificación. Al cambiar de la computadora asignada a otra computadora se puede transferir la licencia mediante un programa de transferencia proporcionado por IAR Systems dentro del sistema de administración de licencias. El software no permitirá el acceso de usuarios desde otras computadoras que no sean la unidad designada según se estipula en esta cláusula, a través de un módem, Internet u otro medio de acceso en red o remoto.

3.3 Licencia móvil: Los términos de 3.3.a y 3.3.b aplicarán si la licencia relevante otorgada es una licencia móvil.

La licencia móvil se proporciona con un bloqueo (llave) de hardware. Un bloqueo de hardware es un dispositivo que se instala en uno de los puertos externos de la computadora y que permite que el licenciatarario traslade la licencia a otra computadora. Un bloqueo de hardware es parte del paquete del producto siempre y cuando se pida de manera expresa.

3.3.a Sujeto a los términos y condiciones de este Acuerdo, IAR Systems por medio del presente otorga al licenciatarario una licencia personal, no transferible y no exclusiva, móvil, para utilizar el software. El número de usuarios autorizados del licenciatarario para usar el software según la licencia móvil, si es más de uno, se estipula en la factura o en otro documento escrito de IAR Systems.

3.3.b La licencia móvil puede ser utilizada por el licenciatarario únicamente para un solo usuario, pero con derecho a cambiar de la computadora designada a otra computadora usando el bloqueo de hardware. El software no permitirá el acceso de usuarios desde otras computadoras que no sean la unidad designada según se estipula en esta cláusula, a través de un módem, Internet u otro medio de acceso en red o remoto.

3.4 Licencia para varios usuarios: Los términos de esta sección 3.4 aplicarán si la licencia del producto otorgada es una licencia para varios usuarios.

Sujeto a los términos y condiciones de este Acuerdo, IAR Systems por medio del presente otorga al licenciatarario una licencia personal, no transferible y no exclusiva para varios usuarios para utilizar el software. El número de usuarios autorizados del licenciatarario para usar el software según la licencia para varios usuarios, si es más de uno, se estipula en la factura o en otro documento escrito de IAR Systems.

3.5 Una licencia de red es una licencia para varios usuarios, ubicada en un solo servidor de licencias designado y usada por varios usuarios en una red y en un solo sitio. La licencia de red queda bloqueada en la computadora donde se ejecuta el software del servidor de licencias o en un bloqueo (llave) de hardware. El uso de un bloqueo de hardware permite trasladar la licencia de red a otro servidor, en caso de una falla del servidor. La licencia de red se puede usar en todas las computadoras cliente en la red donde se instala el software. Sin embargo, la licencia de red es para un número máximo de usuarios concurrentes.

3.6. Una **licencia global de red** es una licencia para varios usuarios, ubicada en un servidor de licencias y usada por varios usuarios en una red que permite el acceso desde varios sitios a nivel global. La licencia global de red queda bloqueada en la computadora donde se ejecuta el software del servidor de licencias o en un bloqueo (llave) de hardware. El uso de un bloqueo de hardware permite trasladar la licencia global de red a otro servidor, en caso de una falla del servidor. La licencia global de red se puede usar en todas las computadoras cliente en la red donde se instala el software. Sin embargo, la licencia global de red es para un número máximo de usuarios concurrentes.

3.7 Usuarios concurrentes: Para los productos que son software ejecutable y que cuentan con licencias de red, la definición de uso concurrente la da el software del servidor de licencias, que también hace el seguimiento del número de usuarios concurrentes. Una sesión de usuario de un software ejecutable siempre es de un mínimo de treinta (30) minutos y se estima que dura otros treinta (30) minutos después de la última activación de licencia en el servidor de licencias. Para los productos que incluyan código fuente de software, el software se considerará que está en uso (concurrente) en una computadora cuando se cargue en la memoria temporal (es decir, RAM) o se instale en la memoria permanente (p. ej. disco duro, CD-ROM u otro dispositivo de almacenamiento) de esa computadora.

3.8 Licencia en tránsito: Para los productos liberados a partir de 2012 que incluyen un nuevo sistema de administración de licencias (LMS), se otorga una licencia en tránsito. Las licencias en tránsito permiten el uso temporal de una licencia de red en una computadora personal que no está conectada a una red durante un máximo de 15 días. La licencia en tránsito permite el uso del producto fuera del sitio designado.

3.9 Licencia de código fuente: Si el licenciatarario del producto recibe los módulos de software aquí mencionados o sus componentes en formato de código fuente (“código fuente de software”), se aplicarán las siguientes condiciones a dicho código fuente de software, además de todas las demás disposiciones de este Acuerdo:

El licenciatarario solo puede usar dicho código fuente de software con el producto y el código fuente de software o cualquier trabajo derivado de él. El código fuente del software solo se puede compilar y vincular con productos de IAR Systems y solo de acuerdo con las disposiciones sobre dicho uso estipuladas en la documentación y/o este Acuerdo. Se prohíbe estrictamente que el licenciatarario haga cualquier otro uso del código fuente del software. Cualquier violación de esta

Acuerdo de licencia de software de IAR

sección 3.9 se considerará una violación material de este Acuerdo.

EL LICENCIATARIO RECONOCE QUE EL CÓDIGO FUENTE DEL SOFTWARE TIENE INCRUSTADA INFORMACIÓN CON COPYRIGHT Y DE PROPIEDAD EXCLUSIVA DE IAR SYSTEMS Y QUE PERMITIR EL ACCESO AL CÓDIGO FUENTE DEL SOFTWARE A OTRAS PERSONAS FUERA DEL ALCANCE DE ESTE ACUERDO, DEBIDO A LA NATURALEZA DEL CÓDIGO FUENTE, PERJUDICA SEVERAMENTE LOS DERECHOS DE PROPIEDAD INTELECTUAL DE IAR SYSTEMS Y ACUERDA COMPENSAR A IAR POR TODOS LOS DAÑOS QUE RESULTEN DE UNA VIOLACIÓN TAL QUE PUEDAN SER COMPROBADOS, DE MANERA RAZONABLE, POR IAR.

El licenciatarlo conservará y protegerá el código fuente del software con al menos el mismo grado de cuidado que lo hace con el código fuente de su propiedad, según se especifica mejor en la sección 5.

3.10 Si el producto que recibe el licenciatarlo según este Acuerdo contiene software de terceros, el uso de dicho software de terceros puede estar restringido a una arquitectura de destino específica. Consulte la sección 11.2 a continuación.

3.11 Copias de seguridad: El licenciatarlo podrá hacer copias de seguridad del software en forma de código ejecutable por computadora, solo para ser usadas en caso y en la medida que la copia del software recibida de IAR Systems no funcione, se pierda, se dañe o se destruya. El licenciatarlo garantiza que no hará ninguna otra copia del software y no permitirá, autorizará o asistirá a otras personas para que copien ninguna parte o la totalidad del software de ninguna forma sin el consentimiento previo y por escrito de IAR Systems. No puede haber más copias de las necesarias como parte de un ciclo de copias de seguridad razonable para el licenciatarlo. El licenciatarlo puede guardar las copias de seguridad del software en una caja de seguridad bancaria u otro sitio seguro similar que normalmente use el licenciatarlo para el almacenamiento de las copias de seguridad de sus programas de computación. Los derechos del licenciatarlo según esta sección en ningún caso incluirán ninguna medida que altere o disminuya la función de la protección del software incluida en el software.

3.12 Una **licencia de evaluación** solo se debe usar para hacer pruebas y con fines de evaluación. Queda prohibido cualquier otro uso ajeno a las pruebas y la evaluación. IAR Systems no tiene obligación de proporcionar soporte, servicios relacionados o garantías. EN NINGÚN CASO IAR SYSTEMS SERÁ RESPONSABLE ANTE LA OTRA PARTE POR DAÑOS DIRECTOS, INDIRECTOS, CIRCUNSTANCIALES, ESPECIALES, CONSECUENTES, PUNITIVOS O EXTRA CONTRACTUALES DE NINGUNA NATURALEZA O TIPO, INCLUIDA ENTRE OTRAS COSAS LA PÉRDIDA DE GANANCIAS, RELACIONADA CON O CAUSADA POR EL USO O RENDIMIENTO DEL SOFTWARE, MATERIALES DE SOPORTE O EL SUMINISTRO DE SERVICIOS, AUNQUE LA OTRA PARTE HAYA SIDO ADVERTIDA SOBRE LA POSIBILIDAD DE QUE OCURRAN DICHOS DAÑOS.

La sección 11 de este Acuerdo de licencia de software también se puede aplicar a una licencia de evaluación.

4. RESTRICCIONES DE LA LICENCIA

4.1 El licenciatarlo no puede quitar, hacer emulaciones, realizar ingeniería inversa, descompilar o desensamblar el software ejecutable. El licenciatarlo no puede derivar el código fuente o de ensamblado de los archivos proporcionados en formato ejecutable o de objeto. El licenciatarlo acepta que toda la información obtenida sobre el software es propiedad intelectual valiosa de IAR Systems y como tal debe ser tratada de manera confidencial, según se describe en el artículo 5. El licenciatarlo garantiza que no venderá, otorgará licencias, arrendará, alquilará, prestará, transmitirá, pondrá en red, comunicará o de otra forma distribuirá o transferirá el software de ninguna manera a un tercero, de manera temporal o permanente, excepto según se estipula explícitamente en este Acuerdo. Además, el licenciatarlo garantiza que no utilizará ni permitirá que se use (incluso, entre otras cosas, con uso de tiempo compartido o de red) el software para beneficio de una entidad ajena al licenciatarlo ni en un negocio de servicios de computación, que se hagan copias no autorizadas de la documentación, que se hagan hacer traducciones verbales o en medios de la documentación, que se hagan transmisiones de datos de telecomunicación del software, que se usen puertas de enlace de larga distancia en cualquier unidad de procesamiento central en la que se use el software. También se le prohíbe expresamente al licenciatarlo adaptar, modificar, revisar, mejorar, actualizar, destacar y crear trabajos derivados del software ejecutable con cualquier fin, incluso la corrección de errores o cualquier otro tipo de mantenimiento.

4.2 El licenciatarlo mantendrá registros del uso del software que haga el licenciatarlo. El licenciatarlo tendrá disponibles los registros para IAR Systems o un tercero neutral, luego de recibir aviso previo razonable, tal y como lo acuerden las partes. En caso de una auditoría de un tercero neutral, IAR Systems y el licenciatarlo nombrarán mutuamente y de buena fe a un auditor. Si no se llega a dicho acuerdo en 60 días tras el aviso de IAR Systems, entonces las partes acuerdan que Business Software Alliance hará dicha auditoría o elegirá a un auditor. El licenciatarlo permitirá que IAR Systems o un tercero, según sea el caso, tenga acceso a los registros y a los sistemas de computación del licenciatarlo y use las herramientas de auditoría de software de los sistemas del licenciatarlo para garantizar que el licenciatarlo esté usando el software de acuerdo con los términos de la licencia aplicable. A solicitud del licenciatarlo, la parte que realiza la auditoría con el licenciatarlo firmará un acuerdo de no divulgación con el licenciatarlo para proteger su información de propiedad exclusiva y/o confidencial. La información recuperada y/o transmitida a IAR Systems como resultado de dicha auditoría, como se describe aquí, se limitará solo a la que garantice que el licenciatarlo esté utilizando su software de acuerdo con los términos de la licencia aplicable o para obtener pruebas de lo contrario.

4.3 Sujeto a los otros términos de este Acuerdo y con el licenciatarlo responsable plenamente responsable por todas las acciones u omisiones de dicho consultor, el licenciatarlo puede permitir que un consultor use el software para trabajar únicamente en nombre del licenciatarlo para los propósitos habilitados por la licencia y siempre que el software no se use para otro fin o tercero.

4.4 Por cada una de las violaciones por parte del licenciatarlo a este Acuerdo, se cobrará una penalidad contractual del 200 % por cada violación según las secciones 3.2, 3.3, 3.4, 3.5, 3.6, 3.11, 4.1 o 4.3 y del 1000 % por cada violación según la sección 3.8 del costo del licenciatarlo aplicable según la factura relevante y que será pagada por el licenciatarlo a IAR

Acuerdo de licencia de software de IAR

Systems. En caso de que los daños reales de IAR Systems debido a la violación excedan ese monto, también el saldo restante será pagado por el licenciataria; vea también la sección 3.8.

5. CONFIDENCIALIDAD

5.1 El licenciataria acuerda que todo el material y la información sobre el software están disponibles para el uso únicamente bajo y según las condiciones de este Acuerdo. El licenciataria no tiene ningún derecho en ningún momento durante o después de la cancelación o terminación de este Acuerdo a divulgar ese material y/o información sobre el software, ya sea directa o indirectamente, a un tercero sin la autorización previa por escrito de IAR Systems. El licenciataria acuerda no responsabilizar, defender e indemnizar a IAR Systems por cualquiera y todas las pérdidas, costos, daños y gastos que surjan o se relacionen con el incumplimiento del licenciataria con los requisitos de este artículo 5. Las obligaciones de confidencialidad del licenciataria especificadas en este Acuerdo permanecerán vigentes después de la cancelación o terminación, por cualquier motivo, de este Acuerdo.

6. TÉRMINOS Y CONDICIONES PARA EL PAGO

6.1 En consideración de los derechos otorgados y servicios prestados por IAR Systems según este Acuerdo, el licenciataria pagará los costos de la licencia del software, según se especifica en la factura. Los pagos se harán según el cronograma de pagos estipulado en la factura o, si no se estipula, las facturas se deben pagar dentro de los 30 días posteriores a su fecha de emisión.

6.2 Si el licenciataria no realiza el pago dentro del tiempo estipulado, IAR Systems o los distribuidores de IAR tendrán derecho a a) cobrar intereses después de la fecha de vencimiento, según se estipula en la factura o, si no se estipula en la factura, los intereses cobrados se basarán en la tasa de referencia establecida por el banco central de Suecia (Riksbank) + 8 %, b) postergar el cumplimiento de cualquiera de sus propias obligaciones hasta que se haga el pago y/o c) terminar el Acuerdo mediante aviso por escrito al licenciataria y recuperar de éste todas y cada una de las pérdidas.

6.3 Todos los precios excluyen todos los costos e impuestos, incluso las tasas aduaneras, de importación, ventas, uso, retención, ingresos brutos y demás impuestos, cobros y cargos evaluados o incurridos en conexión con el suministro de bienes y servicios según este Acuerdo, de los cuales el responsable es el licenciataria.

7. GARANTÍA LIMITADA

7.1 IAR Systems garantiza que los medios en los que esté grabado el software al ser recibido por el licenciataria estarán libres de defectos en los materiales y en la mano de obra bajo uso normal durante un período de noventa (90) días a partir de la fecha de entrega al licenciataria. Durante este período de garantía, IAR Systems, a su elección, reparará o reemplazará, sin cargo, los medios defectuosos en los que se suministró el software y que le sean devueltos y grabará una copia del software en el medio reparado o de reemplazo. Dicha reparación o reemplazo será la única solución para el licenciataria bajo esta garantía de los medios. Independientemente de lo anterior, IAR Systems no será responsable de reparar o reemplazar los medios que, según la opinión de IAR Systems, hayan sido dañados por el licenciataria por accidente, abuso o como resultado del intento de realizar servicios de mantenimiento por su cuenta.

7.2 IAR Systems no garantiza que el software cumplirá con los requisitos del licenciataria o que el funcionamiento del software será ininterrumpido y sin errores. El licenciataria es el único responsable de seleccionar el software para lograr los resultados deseados o de los resultados que realmente se obtengan.

7.3 La garantía que antecede no aplica a las condiciones que resulten del uso indebido, causas externas, incluso trabajos de servicio o modificaciones que no sean realizadas por IAR Systems o un contratista designado por IAR Systems, o el funcionamiento fuera de los parámetros ambientales especificados. IAR Systems no será responsable por el funcionamiento del software que no se realice en el equipo anfitrión especificado en la factura y junto con el entorno operativo designado para cada versión del software. Las desviaciones menores de la garantía anterior, que sean de poca importancia para el uso previsto del software y que ocasionen solo pequeños inconvenientes para el licenciataria, no se considerarán violaciones de la garantía anterior.

7.4 LA GARANTÍA QUE ANTECEDE ES LA ÚNICA QUE OTORGA IAR SYSTEMS EN CUANTO AL SOFTWARE Y ESTE ACUERDO Y, A MENOS QUE SE INDIQUE EN ESTE ACUERDO, NO HAY OTRA GARANTÍA O CONDICIÓN, EXPRESA O IMPLÍCITA, QUE APLIQUE Y EL LICENCIATARIO NO HARÁ OTRO RECLAMO SOBRE EL RENDIMIENTO O FALTA DE RENDIMIENTO DEL SOFTWARE. IAR SYSTEMS ESPECÍFICAMENTE EXCLUYE TODAS LAS DEMÁS GARANTÍAS, DECLARACIONES O COMPROMISOS, EXPRESOS, IMPLÍCITOS O ESTATUTARIOS, INCLUSO, ENTRE OTRAS, CUALQUIER GARANTÍA DE COMERCIABILIDAD O IDONEIDAD PARA UN FIN PARTICULAR, LA CAPACIDAD PARA LOGRAR UN RESULTADO EN PARTICULAR O CUALQUIER OTRA OBLIGACIÓN DE GARANTÍA POR PARTE DE IAR SYSTEMS.

7.5 IAR Systems expresamente renuncia a cualquier responsabilidad por cualquier solución de hardware o software del licenciataria que pueda afectar el rendimiento del software, incluidas entre otras cosas las configuraciones de red.

7.6 Las disposiciones de este artículo 7 permanecerán vigentes después del vencimiento o la terminación de este Acuerdo.

8. VIOLACIÓN DE PROPIEDAD INTELECTUAL

8.1 IAR Systems de la manera estipulada en 8.2 y sujeto a las limitaciones estipuladas en esa sección, tomará medidas sobre cualquier acción contra el licenciataria en la medida en que se base en un reclamo de que el software, como existe en la fecha de la factura, viola alguna patente o copyright debidamente emitido según las leyes del país en que se encuentre organizado IAR Systems o el licenciataria.

8.2 IAR Systems, de la manera que se estipula a continuación, como única solución, tomará medidas contra un reclamo de terceros de que el software viola los derechos de propiedad intelectual de dichos terceros, siempre que IAR Systems reciba aviso inmediato sobre dicho reclamo y que reciba información, asistencia razonable y la autoridad exclusiva para defenderse o llegar a un acuerdo sobre el reclamo. IAR Systems puede, a su elección, obtener el derecho para que el licenciataria

Acuerdo de licencia de software de IAR

continúe usando el producto IAR en infracción, reemplazar o modificar el producto en infracción hasta que deje de violar los derechos o, si dicho reemplazo o modificación no está razonablemente disponible, dar por terminada esta licencia respecto al producto en infracción y proporcionar un reembolso razonable de los costos pagados por el licenciataria a IAR Systems por el producto IAR afectado.

8.3 IAR Systems no será responsable si la supuesta violación resultara del uso no autorizado del software, modificaciones posteriores a la entrega que no sean de IAR Systems o la combinación con otros productos o dispositivos no proporcionados por IAR Systems. **LAS OBLIGACIONES ESTIPULADAS EN ESTA SECCIÓN SON LA ÚNICA RESPONSABILIDAD DE IAR SYSTEMS Y LA ÚNICA SOLUCIÓN DISPONIBLE PARA EL LICENCIATARIO POR LA VIOLACIÓN DE PATENTES Y COPYRIGHTS. PARA EVITAR CUALQUIER DUDA: LA RESPONSABILIDAD DE IAR SYSTEMS BAJO ESTA SECCIÓN 8 NUNCA PUEDE EXCEDER EL COSTO DE LA LICENCIA PAGADO POR EL LICENCIATARIO.**

9. FUERZA MAYOR

9.1 Cualquiera de las partes quedará eximida de cumplir cualquiera de las obligaciones pautadas en este Acuerdo solo en la medida y mientras el rendimiento sea impedido o demorado por un conflicto industrial o cualquier otra causa más allá del control razonable, como, entre otras cosas, disturbios, inundaciones, guerras, hostilidades bélicas, incendios, embargos, escasez de mano de obra, energía, combustible, medios de transporte o la falta común de otras necesidades. Si una de las partes desea solicitar el desagravio según este artículo, notificará de inmediato a la otra parte por escrito sobre la intervención y sobre la cesación de dicha circunstancia.

10. LIMITACIÓN DE RESPONSABILIDAD LEGAL

10.1 EL USO DEL SOFTWARE Y TODAS LAS CONSECUENCIAS QUE CONLLEVE SON RESPONSABILIDAD EXCLUSIVA DEL LICENCIATARIO. IAR SYSTEMS NO SERÁ RESPONSABLE ANTE EL LICENCIATARIO POR NINGUNA PÉRDIDA O DAÑO CAUSADO DIRECTA O INDIRECTAMENTE POR EL SOFTWARE, EL USO DEL SOFTWARE O CUALQUIER OTRA COSA.

10.2 LA RESPONSABILIDAD DE IAR SYSTEMS FRENTE AL LICENCIATARIO BAJO ESTE ACUERDO EN TODA CIRCUNSTANCIA SE LIMITARÁ AL CINCUENTA (50) POR CIENTO DEL COSTO DE LA LICENCIA DEL SOFTWARE PAGADO POR EL LICENCIATARIO SEGÚN ESTE ACUERDO, HABIDA CUENTA DE QUE SI LA SECCIÓN 8 ES APLICABLE, LA RESPONSABILIDAD TOTAL DE IAR SYSTEMS, SEGÚN ESTE ACUERDO, NUNCA PODRÁ EXCEDER EL 100 % DEL COSTO PAGADO POR LA LICENCIA POR EL LICENCIATARIO DE DICHO SOFTWARE.

10.3 IAR SYSTEMS NO SERÁ RESPONSABLE EN NINGÚN CASO ANTE EL LICENCIATARIO SEGÚN ESTE ACUERDO POR DAÑOS ESPECIALES, INDIRECTOS, CIRCUNSTANCIALES O CONSECUENTES, SEGÚN NINGUNA TEORÍA LEGAL, COMO LA PÉRDIDA DE DATOS, USO Y/O LUCRO, LA INTERRUPCIÓN DEL NEGOCIO O COSTOS POR TIEMPO DE INACTIVIDAD Y COSTOS DE CAPITAL O RECLAMO DE TERCEROS, YA SEA POR DEFECTOS, RENDIMIENTO, FALTA DE RENDIMIENTO, DEMORAS, LESIONES PERSONALES, DAÑOS A LA PROPIEDAD U OTROS, SIN IMPORTAR QUE IAR SYSTEMS HAYA SIDO AVISADO DE LA POSIBILIDAD DE QUE OCURRAN DICHS DAÑOS.

10.4 NADA EN ESTE ACUERDO EXCLUIRÁ O LIMITARÁ LA RESPONSABILIDAD BAJO LA LEY OBLIGATORIA APLICABLE DE IAR SYSTEMS POR MUERTE O LESIONES PERSONALES QUE RESULTEN DE SU NEGLIGENCIA.

10.5 Las disposiciones de este artículo 10 permanecerán vigentes después de la cancelación o terminación de este Acuerdo.

11. DERECHOS DE TERCEROS

11.1 IAR Embedded Workbench para Eclipse incluye materiales de Eclipse. Esta licencia no se aplica a dicho material de Eclipse, que no se incluye bajo el término “software” de esta licencia. Usted acuerda cumplir con todos los términos y condiciones que se le imponen respecto a dichos materiales de Eclipse.

11.1.1 Los materiales de Eclipse tienen licencia según los términos de Eclipse Public License (EPL), versión 1.0, cuya copia se incluye con los materiales Eclipse y también está disponible en <http://www.opensource.org/licenses/eclipse-1.0.php>.

11.2 IAR Embedded Workbench puede incluir software de terceros. Además de todas las otras disposiciones de esta licencia, el software de terceros también está sujeto a los términos y condiciones complementarios que rigen dicho software de terceros. Estos términos complementarios se agregan a los términos de esta licencia y reemplazan cualquier término inconsistente o contradictorio de esta licencia en lo que respecta al software de terceros. Si el producto que recibe el licenciataria de acuerdo con el presente contiene software de terceros, el licenciataria acuerda cumplir con todos los términos y condiciones impuestos al licenciataria respecto de dicho software de terceros.

11.2.1 El software de terceros está sujeto a los términos adicionales de cada tercero y una copia de los términos complementarios está disponible en <http://www.iar.com/en/products/software-licenses>.

12. ACUERDO DE SOPORTE Y ACTUALIZACIÓN (SUA)

12.1 Sin incluir lo que se especifica en la sección 12.2 y/o la sección 7 de este Acuerdo, este Acuerdo no otorga al licenciataria ningún derecho a mejoras, modificaciones, realces o actualizaciones del software, ni a ningún otro servicio de soporte respecto del software.

12.2 En la medida en que la licencia otorgada incluya el servicio de soporte y actualización por tiempo limitado, el licenciataria tendrá derecho a los servicios definidos en el Acuerdo de soporte y actualización (“SUA”) que se adjunta al presente. En caso de que la licencia otorgada no incluya servicios de soporte y actualización o si la vigencia de dichos servicios ha expirado, el licenciataria podrá, según la naturaleza de la licencia otorgada, comprar períodos adicionales de servicios de soporte y actualización.

12.3 El uso de mejoras, modificaciones, realces o actualizaciones recibidos por el licenciataria bajo el Acuerdo de soporte y actualización (SUA) de IAR Systems o recibidos según la sección 7 de este Acuerdo, se registrará por los términos y condiciones contenidos en el presente Acuerdo.

Acuerdo de licencia de software de IAR

13. TERMINACIÓN DEL ACUERDO

13.1 IAR Systems tendrá el derecho a poner fin a este Acuerdo, con efecto inmediato, si el licenciataria viola cualquiera de sus obligaciones según este Acuerdo, incluso entre otras cosas con (a) el uso del software de una forma distinta a los derechos otorgados en los artículos 3 y 4, (b) la violación de las disposiciones de confidencialidad del artículo 5 o (c) la omisión del licenciataria de remitir pagos según el artículo 6.

13.2 Este Acuerdo finalizará de inmediato y sin previo aviso si el licenciataria suspende sus pagos, entra en quiebra o está insolvente, o si entra en fase de liquidación o se considera insolvente de cualquier otra forma.

13.3 Si IAR Systems pone fin a este Acuerdo, como se estipula en este artículo, IAR Systems podrá, a su elección, y además de cualquier otro derecho estipulado en este acuerdo y sumado a cualquier otra solución disponible para IAR Systems según las leyes, solicitar por escrito al licenciataria que devuelva o destruya todas las versiones del software y toda la documentación relacionada con el software en cualquier medio y con cualquier otra forma que se encuentre en posesión del licenciataria. El licenciataria proporcionará la confirmación por escrito a IAR Systems de que el material relacionado con el software y su funcionamiento ha sido devuelto a IAR Systems o ha sido destruido. Las disposiciones de esta sección 13.3 permanecerán vigentes después de la cancelación o terminación de este acuerdo.

14. NORMATIVAS DE CONTROL DE EXPORTACIÓN

14.1 El software y la documentación están sujetos a las normativas de exportación e importación de varios países, incluso las normativas de la Ley de administración de exportación de Estados Unidos. El licenciataria acuerda que (a) no exportará o reexportará a sabiendas, directa o indirectamente, ningún producto o dato técnico o ningún producto controlado restringido por las normativas nacionales aplicables, incluido software, recibido de IAR Systems según este acuerdo, (b) no divulgará a sabiendas dichos datos técnicos para el uso en o (c) no exportará o reexportará, directa o indirectamente, cualquier producto directo de esos datos técnicos o de esos otros productos controlados, incluido software, a ningún destino al cual dicha exportación o reexportación esté restringida o prohibida por las leyes estadounidenses o leyes aplicables que no sean de Estados Unidos, sin antes obtener el consentimiento por escrito de IAR Systems.

15. VARIOS

15.1 Este Acuerdo no podrá, en ninguna situación, ser asignado o transferido en su totalidad o en parte por ninguna de las dos partes, sin la aprobación previa por escrito de la otra parte. No obstante, IAR Systems tendrá derecho a asignar este Acuerdo, en su totalidad o en parte, a una empresa dentro del IAR Systems Group, e IAR Systems podrá asignar este Acuerdo, sin penalización o detrimento de sus derechos según este Acuerdo y sin el consentimiento previo del licenciataria, en caso de una fusión o reorganización similar o venta de prácticamente todos los bienes de IAR Systems.

15.2 Ninguna modificación o enmienda a este Acuerdo tendrá validez a menos que dicha modificación o enmienda se haga por escrito y que ambas partes la firmen.

15.3 Cualquier aviso u otra comunicación según este Acuerdo se debe hacer por escrito, a mano o por telefax (confirmado por correo aéreo) o por correo aéreo certificado o registrado con franqueo prepago de primera clase a las partes, enviado a las direcciones indicadas en la factura (o a otra dirección que especifique una de las partes mediante aviso por escrito a la otra parte).

15.4 Este acuerdo contiene todo el entendimiento entre las partes sobre este tema y anula y reemplaza todos los demás acuerdos o entendimientos, escritos u orales, que puedan o pudieron haber existido entre las partes referentes al contenido del presente Acuerdo.

15.5 Este Acuerdo debe registrarse e interpretarse de acuerdo con el derecho sustantivo de los tribunales del país donde IAR Systems esté constituido. Cualquier disputa sobre este Acuerdo o su interpretación o validez, o cualquier otra disputa con base en él, se debe presentar ante los tribunales del país en que IAR Systems esté constituido.

15.6 Las disposiciones de este artículo 15 permanecerán vigentes después de la cancelación o terminación de este Acuerdo. Este documento contiene avisos de software de terceros y/o términos y condiciones adicionales para componentes de software de terceros con licencia incluidos dentro del producto de software **IAR Embedded Workbench** de IAR Systems. Estos avisos y/o términos y condiciones adicionales se hacen integran y se incorporan por referencia en el Acuerdo de licencia de software IAR.

Acuerdo de licencia de software de IAR

1. Componentes que se usan internamente en IAR Embedded Workbench

Software de terceros	Aviso/Términos
SCINTILLA	<p>Licencia de Scintilla y SciTE Copyright 1998-2002 de Neil Hodgson. Todos los derechos reservados. Se autoriza el uso, copia, modificación y distribución de este software y su documentación para cualquier fin y sin costo, siempre que el aviso de copyright anterior aparezca en todas las copias y que tanto el aviso de copyright como este aviso de autorización aparezcan en la documentación de respaldo.</p> <p>NEIL HODGSON RENUNCIA A TODAS LAS GARANTÍAS EN CUANTO A ESTE SOFTWARE, INCLUSO A TODAS LAS GARANTÍAS DE COMERCIALIZACIÓN E IDONEIDAD. EN NINGÚN CASO NEIL HODGSON SERÁ RESPONSABLE POR DAÑOS ESPECIALES, INDIRECTOS O CONSECUENTES O CUALQUIER OTRO DAÑO QUE RESULTE DE LA PÉRDIDA DE USO, DATOS O GANANCIAS, YA SEA EN UNA ACCIÓN DEL CONTRATO, NEGLIGENCIA U OTRA ACCIÓN DOLOSA CAUSADA POR O RELACIONADA CON EL USO O RENDIMIENTO DE ESTE SOFTWARE.</p>
ICU de IBM	<p>Licencia de ICU - ICU 1.8.1 o posterior AVISO DE COPYRIGHT Y AUTORIZACIÓN Copyright (c) 1995-2003 International Business Machines Corporation y otros Todos los derechos reservados.</p> <p>Por el presente se autoriza, sin cargo, a cualquier persona que obtenga una copia de este software y los archivos de documentación asociados (el "software") para que realice transacciones con el software sin restricción, incluso, entre otras cosas, use, copie, modifique, fusione, publique, distribuya y/o venda copias del software y permita que las personas a las que se le proporciona el software hagan lo mismo, siempre y cuando los avisos de copyright anteriores y este aviso de autorización aparezcan en todas las copias del software y que tanto los avisos de copyright anteriores como este aviso de autorización aparezcan en la documentación de respaldo.</p> <p>EL SOFTWARE SE PROPORCIONA "TAL CUAL", SIN GARANTÍA DE NINGÚN TIPO, EXPRESA O IMPLÍCITA, INCLUIDAS ENTRE OTRAS LAS GARANTÍAS DE COMERCIALIZACIÓN, IDONEIDAD PARA UN FIN PARTICULAR Y DE INVOLABILIDAD DE LOS DERECHOS DE TERCEROS. EN NINGÚN CASO LOS TITULARES DEL COPYRIGHT INCLUIDOS EN ESTE AVISO SERÁN RESPONSABLES POR CUALQUIER RECLAMO O POR DAÑOS ESPECIALES, INDIRECTOS O CONSECUENTES O CUALQUIER OTRO DAÑO CAUSADO POR LA PÉRDIDA DE USO, DATOS O GANANCIAS, YA SEAN EN UNA ACCIÓN DE CONTRATO, POR NEGLIGENCIA U OTRA ACCIÓN DOLOSA CAUSADA POR O RELACIONADA CON EL USO O RENDIMIENTO DE ESTE SOFTWARE.</p> <p>Excepto lo expresado en este aviso, no se usará el nombre de un titular de copyright en la publicidad o para promocionar de alguna otra manera la venta, el uso u otras transacciones con este software sin la autorización previa por escrito del titular del copyright. Todas las marcas comerciales y registradas que aparecen en este documento son propiedad de sus respectivos dueños.</p>

Acuerdo de licencia de software de IAR

<p>Apache</p>	<p>Licencia de software Apache, versión 1.1 Copyright (c) 1999-2003 The Apache Software Foundation. Todos los derechos reservados. Se permite la redistribución y uso en formas fuente y binarias, con o sin modificación, siempre que se cumplan las siguientes condiciones:</p> <ol style="list-style-type: none"> 1. Las redistribuciones del código fuente deben conservar el aviso de copyright que antecede, esta lista de condiciones y el siguiente descargo de responsabilidad. 2. Las redistribuciones en formato binario deben reproducir el aviso de copyright que antecede, esta lista de condiciones y el siguiente descargo de responsabilidad en la documentación y/u otros materiales proporcionados con la distribución. 3. La documentación para el usuario final incluida con la redistribución, si la hay, debe incluir el siguiente reconocimiento: "Este producto incluye software desarrollado por Apache Software Foundation (http://www.apache.org/)". Alternativamente, este reconocimiento puede aparecer en el software en sí, si dichos reconocimientos de terceros aparecen normalmente y donde aparezcan. 4. Los nombres "Xerces" y "Apache Software Foundation" no se deben utilizar para respaldar o promocionar productos derivados de este software sin la autorización previa por escrito. Para obtener la autorización por escrito, sírvase contactar con apache@apache.org. 5. Los productos derivados de este software no pueden denominarse "Apache", ni podrán tener "Apache" en el nombre, sin la autorización previa por escrito de Apache Software Foundation. <p>ESTE SOFTWARE SE PROPORCIONA "TAL CUAL" Y SE RENUNCIA A CUALQUIER GARANTÍA EXPRESA O IMPLÍCITA, INCLUIDAS ENTRE OTRAS LAS GARANTÍAS DE COMERCIABILIDAD Y DE IDONEIDAD PARA UN FIN PARTICULAR. EN NINGÚN CASO APACHE SOFTWARE FOUNDATION O SUS CONTRIBUIDORES SERÁN RESPONSABLE POR NINGÚN DAÑO DIRECTO, INDIRECTO, CIRCUNSTANCIAL, ESPECIAL, EJEMPLAR O CONSECUENTE (INCLUSO, ENTRE OTRAS COSAS, LA OBTENCIÓN DE BIENES Y SERVICIOS SUSTITUTOS, PÉRDIDA DE USO, DATOS O GANANCIAS O LA INTERRUPCIÓN DEL NEGOCIO) CAUSADOS DE ALGUNA FORMA Y CON BASE EN CUALQUIER TEORÍA DE RESPONSABILIDAD, YA SEA POR CONTRATO, RESPONSABILIDAD ESTRICTA O DOLO (INCLUSO NEGLIGENCIA U OTRA COSA) QUE SURJA DE CUALQUIER FORMA POR EL USO DE ESTE SOFTWARE, AÚN SI HA SIDO INFORMADO DE LA POSIBILIDAD DE DICHO DAÑO.</p> <p>Este software comprende contribuciones voluntarias hechas por muchas personas en nombre de Apache Software Foundation y se basó originalmente en copyright (c) de software de 1999, International Business Machines, Inc., http://www.ibm.com. Para obtener más información sobre Apache Software Foundation, vea http://www.apache.org/</p>
<p>LLVM</p>	<p>Licencia de liberación de LLVM Universidad de Illinois/NCSA. Licencia de código abierto Copyright (c) 2003-2011 Universidad de Illinois en Urbana-Champaign. Todos los derechos reservados. Desarrollado por: Equipo de LLVM Universidad de Illinois en Urbana-Champaign. http://llvm.org Por el presente se autoriza, sin cargo, a cualquier persona que obtenga una copia de este software y los archivos de documentación asociados (el "software") para hacer transacciones con el software sin restricción, incluso, entre otras cosas, copiar, modificar, fusionar, publicar, distribuir, ofrecer sublicencias y/o vender copias del software y permitir que las personas a las que se le proporciona el software hagan lo mismo, sujeto a las siguientes condiciones:</p> <p>*Las redistribuciones del código fuente deben conservar el aviso de copyright que antecede, esta lista de condiciones y los siguientes descargos de responsabilidad. *Las redistribuciones en formato binario deben reproducir el aviso de copyright que antecede, esta lista de condiciones y los siguientes descargos de responsabilidad en la documentación y/u otros materiales proporcionados con la distribución. *Ni el nombre del equipo de LLVM, Universidad de Illinois en Urbana-Champaign, ni los nombres de sus contribuyentes se pueden usar para avalar o promocionar productos derivados de este software sin la autorización específica por escrito.</p> <p>ESTE SOFTWARE SE PROPORCIONA "TAL CUAL", SIN GARANTÍA DE NINGÚN TIPO, EXPRESA O IMPLÍCITA, INCLUIDAS ENTRE OTRAS LAS GARANTÍAS DE COMERCIABILIDAD, IDONEIDAD PARA UN FIN PARTICULAR Y DE INVOLABILIDAD. EN NINGÚN CASO SERÁN RESPONSABLES LOS CONTRIBUYENTES O LOS TITULARES DE COPYRIGHT POR NINGÚN RECLAMO, DAÑOS U OTRA RESPONSABILIDAD, YA SEA EN UNA ACCIÓN DE CONTRATO, DOLO O CUALQUIER OTRO CAUSADO POR O RELACIONADO CON EL SOFTWARE O EL USO U OTRAS TRANSACCIONES CON EL SOFTWARE.</p>

Acuerdo de licencia de software de IAR

Bibliotecas Boost C++	<p>Licencia de software Boost, versión 1.0, 17 de agosto de 2003</p> <p>Por el presente se autoriza, sin cargo, a cualquier persona u organización que obtenga una copia del software y la documentación que lo acompaña cubiertos por esta licencia (el "software") para usar, reproducir, mostrar, distribuir, ejecutar y transmitir el software y preparar trabajos derivados del software y para permitir a terceros a los que se les proporcione el software que hagan lo mismo, todo sujeto a lo siguiente: Los avisos de copyright en el software y toda esta declaración, incluso el otorgamiento de licencia anterior, esta restricción y el descargo de responsabilidad siguiente deben incluirse en todas las copias del software, parciales o totales, y en todos los trabajos derivados del software, a menos que dichas copias u trabajos derivados sean únicamente en la forma de código objeto ejecutable por computadora generado por un procesador de lenguaje fuente.</p> <p>ESTE SOFTWARE SE PROPORCIONA "TAL CUAL", SIN GARANTÍA DE NINGÚN TIPO, EXPRESA O IMPLÍCITA, INCLUIDAS ENTRE OTRAS LAS GARANTÍAS DE COMERCIALIZACIÓN, IDONEIDAD PARA UN FIN PARTICULAR, DE TÍTULO Y DE INVOLABILIDAD. EN NINGÚN CASO SERÁN RESPONSABLES LOS PROPIETARIOS DE COPYRIGHT O CUALQUIERA QUE DISTRIBUYA EL SOFTWARE POR NINGÚN DAÑO U OTRA RESPONSABILIDAD, YA SEA POR CONTRATO, DOLO O CUALQUIER OTRO CAUSADO POR O RELACIONADO CON EL SOFTWARE O EL USO U OTRAS TRANSACCIONES CON EL SOFTWARE.</p>
Búferes de protocolos	<p>Búferes de protocolos. Formato de intercambio de datos de Google Copyright 2008 Google Inc. Todos los derechos reservados. http://code.google.com/p/protobuf/ Se permite la redistribución y uso en formas fuente y binarias, con o sin modificación, siempre que se cumplan las siguientes condiciones:</p> <p>* Las redistribuciones del código fuente deben conservar el aviso de copyright que antecede, esta lista de condiciones y el siguiente descargo de responsabilidad. * Las redistribuciones en formato binario deben reproducir el aviso de copyright que antecede, esta lista de condiciones y el siguiente descargo de responsabilidad en la documentación y/u otros materiales proporcionados con la distribución. * Ni el nombre de Google Inc. ni los nombres de sus contribuyentes se pueden usar para avalar o promocionar productos derivados de este software sin la autorización específica por escrito. LOS TITULARES DE COPYRIGHT Y LOS CONTRIBUYENTES PROPORCIONAN ESTE SOFTWARE "TAL CUAL" Y NO SON RESPONSABLES POR NINGUNA GARANTÍA EXPRESA O IMPLÍCITA, INCLUIDAS ENTRE OTRAS LAS GARANTÍAS DE COMERCIALIZACIÓN E IDONEIDAD PARA UN FIN PARTICULAR. EN NINGÚN CASO EL PROPIETARIO DE COPYRIGHT O LOS CONTRIBUYENTES SERÁN RESPONSABLES POR NINGÚN DAÑO DIRECTO, INDIRECTO, CIRCUNSTANCIAL, ESPECIAL, EJEMPLAR O CONSECUENTE (INCLUSO, ENTRE OTROS, LA OBTENCIÓN DE BIENES Y SERVICIOS SUSTITUTOS, LA PÉRDIDA DE USO, DATOS O GANANCIAS O INTERRUPCIONES COMERCIALES) CAUSADOS DE ALGUNA FORMA Y CON BASE EN CUALQUIER TEORÍA DE RESPONSABILIDAD, YA SEA POR CONTRATO, RESPONSABILIDAD ESTRICTA O DOLO (INCLUSO NEGLIGENCIA U OTRO) QUE SURJA DE CUALQUIER FORMA POR EL USO DE ESTE SOFTWARE, AÚN SI HA SIDO INFORMADO DE LA POSIBILIDAD DE DICHO DAÑO.</p>

2. Componentes potencialmente usados en las aplicaciones de los clientes

Software de terceros	Aviso/Términos
dmalloc	Versión de malloc/free/realloc (también conocido como dmalloc) escrita por Doug Lea y liberada al dominio público, como se explica en http://creativecommons.org/publicdomain/zero/1.0/ .

Acuerdo de licencia de software de IAR

Dinkum Biblioteca C++	<p>Sublicencia de Dinkum Abridged/C Library</p> <p>Definición: El término “fuente con licencia” significará el código fuente de Dinkum Abridged Library, el código fuente de Dinkun C Library y Dinkum Abridged Library Reference o una versión posterior de los mismos productos. Se otorga una sublicencia únicamente junto con y para el uso con IAR C/EC++/C++ Cross Compiler de propiedad de IAR Systems AB. El sublicenciario le proporcionará a Dinkumware Ltd. (“otorgante de licencia”) las siguientes protecciones:</p> <p>(a) Propiedad de Plauger. a. El sublicenciario reconoce y acuerda que: *El título y todos los derechos de propiedad de la fuente con licencia y todas las copias de todo o cualquier parte de ella son y permanecen de propiedad de Plauger; *el sublicenciario no prestará, venderá, arrendará, hipotecará o dispondrá de otra forma de la fuente con licencia. *Todas las copias de la fuente con licencia o cualquier parte de ella, en cualquier forma, incluso entre otras las formas reconocibles para el ojo humano (directamente o al ampliarlas o traducirlas) o equipos de procesamiento de datos o de otro tipo, serán de propiedad única y exclusiva de Plauger, como se acaba de describir; y el *otorgante de licencia ha declarado que la fuente con licencia puede contener secretos comerciales e información que de propiedad exclusiva del otorgante de la licencia, ya sea que alguna parte de ella tenga o no copyright o patente. b. El sublicenciario acuerda conservar sin cambios todos los avisos de copyright de la fuente con licencia. c. El otorgante de la licencia reconoce y acepta que el sublicenciario no tendrá ninguna obligación de entregar o divulgar al otorgante de la licencia cualquier modificación que el sublicenciario le haga a la fuente con licencia y que el sublicenciario será propietario y tendrá derechos exclusivos de comercialización de cualquiera de esas modificaciones no divulgadas. d. El sublicenciario reconoce y acepta que cualquier modificación el sublicenciario le haga a la fuente con licencia y le divulgue al otorgante de la licencia, a menos que el sublicenciario indique otra cosa por escrito en la divulgación o antes (“modificaciones divulgadas”), se convertirá en propiedad de Plauger. Las modificaciones divulgadas a la fuente de la biblioteca con licencia se convertirán en propiedad de Plauger. Por el presente, el sublicenciario asigna a Plauger todo derecho, título e interés del sublicenciario a dichas modificaciones divulgadas y a los copyrights y otros derechos de las modificaciones divulgadas. (b) Licencia. a. El otorgante de la licencia por el presente le otorga al sublicenciario una licencia personal, no exclusiva y no transferible para el uso o modificación de la fuente con licencia para sus propios fines comerciales internos únicamente junto con IAR C/EC++/C++ Cross Compiler de propiedad de IAR Systems. b. A pesar de lo anterior, el sublicenciario puede hacer solo dichas copias de la fuente con licencia que sean razonablemente necesarias para ejercer sus derechos según este Acuerdo. El sublicenciario reconoce que no podrá vender, asignar, otorgar una sublicencia, arrendar o de otra manera transferir ni permitir que otros usen o ejecuten la fuente con licencia, o cualquier parte de ella, o hacer cualquier modificación o mejora de la fuente con licencia o cualquier código objeto que se derive de la fuente con licencia. c. El sublicenciario acuerda cumplir con todas las leyes, normativas, dictámenes y órdenes ejecutivas aplicables de Estados Unidos en cuanto a la exportación o reexportación de la fuente con licencia y con todas las leyes extranjeras que se deben cumplir para proteger o preservar los copyrights, secretos comerciales u otros derechos que de propiedad exclusiva del otorgante de la licencia con respecto a la fuente con licencia. El sublicenciario acuerda que no enviará o desviará a sabiendas la fuente con licencia para el uso en cualquier país que no haya ratificado la Convención de copyright de Berna o la Convención de copyrights universales sin primero obtener la autorización por escrito del otorgante de la licencia. (c) Garantía y descargo de la garantía. a. El otorgante de la garantía garantiza que, al momento de la entrega, la fuente con licencia estará en buenas condiciones de funcionamiento y conforme a las normas en todos los aspectos esenciales. b. El otorgante de la garantía declara y garantiza que no tiene conocimiento de que la fuente con licencia se haya creado completa o parcialmente en violación de los secretos comerciales protegidos de un tercero o de que la fuente con licencia viole cualquier patente o copyright de EE. UU.</p> <p>c. LAS GARANTÍAS QUE ANTECEDEN SON LAS ÚNICAS GARANTÍAS QUE OFRECE EL OTORGANTE DE LA LICENCIA Y SE OFRECEN EN LUGAR DE TODAS LAS OTRAS GARANTÍAS, EXPRESAS O IMPLÍCITAS, INCLUIDAS ENTRE OTRAS LAS GARANTÍAS IMPLÍCITAS DE COMERCIABILIDAD E IDONEIDAD PARA UN FIN PARTICULAR.</p> <p>(d) Limitación de la responsabilidad legal. a. En ningún caso el otorgante de la licencia será responsable ante el sublicenciario por cualquier pérdida de ganancias, daños circunstanciales, ejemplares, punitivos, indirectos u otros consecuentes, aún si el otorgante de la licencia sabe o ha sido advertido de la probabilidad de dichos daños, o por cualquier reclamo contra el sublicenciario de otra persona o entidad o por cualquier daño causado por la omisión del sublicenciario de cumplir con sus responsabilidades.</p>
--------------------------------------	---

Freescale MQX RTOS 4.0.2

Actualizado: 2013-02-15. IAR Systems AB.

IMPORTANTE. Lea por completo el siguiente Acuerdo de licencia de software de Freescale Semiconductor (“Acuerdo”). Al seleccionar el botón “I Accept” (Acepto) a continuación, indicará que acepta los términos de este Acuerdo. Después podrá instalar el software.

ACUERDO DE LICENCIA DE FREESCALE SEMICONDUCTOR

Este es un acuerdo legal entre usted (como individuo o como representante autorizado por su empleador) y Freescale Semiconductor, Inc. (“Freescale”). Se refiere a sus derechos a usar este archivo y cualquiera de los materiales escritos que lo acompañan (el “software”). Para que Freescale le permita acceder al software, usted acuerda estar sujeto a los términos de este Acuerdo. Si no está de acuerdo con todos los términos del Acuerdo, no descargue el software. Si después cambia de idea, deje de usar el software y elimine todas las copias del software que estén en su posesión o control. Cualquier copia del software que ya haya distribuido, en caso de estar permitido, y que no destruya continuará rigiéndose por este Acuerdo. Su uso anterior también continuará rigiéndose por este Acuerdo.

OTORGAMIENTO DE LICENCIA. Exclusivamente junto con el desarrollo y venta por parte del licenciataria de un producto que contenga una unidad procesadora programable (p. ej. un microprocesador, microcontrolador o procesador de señales digitales) suministrado directa o indirectamente por Freescale (“sistema Freescale”) y enumerado dentro de “Productos secundarios” en la página web de Freescale MQX (www.freescale.com/mqx), Freescale le otorga a usted, sin cargo, el derecho no exclusivo y no transferible a (1) usar el software, (2) reproducir el software, (3) preparar trabajos derivados del software, (4) distribuir el software y los trabajos derivados del mismo en forma de objeto (legible con computadora) como parte de un sistema Freescale, (5) ofrecer sublicencias a otros con el derecho a usar el software distribuido como se incluye en el sistema Freescale. Debe prohibirle a los sublicenciatarios que traduzcan, realicen ingeniería inversa, descompilen o desensamblen el software, excepto si las leyes aplicables prohíben explícitamente dicha restricción. Si viola cualquiera de los términos o restricciones de este Acuerdo, Freescale podrá poner fin de inmediato a este Acuerdo y exigirle que lo deje de usar y elimine todas las copias del software que tenga en su posesión o control

COPYRIGHT. Se le otorga una licencia del software y esto no constituye una venta. Freescale es el propietario del software y las leyes de copyright estadounidenses y las disposiciones de los tratados internacionales protegen el software. Por lo tanto, usted deberá tratar el software como cualquier otro material con copyright (p. ej. un libro o una grabación musical). No podrá usar o copiar el software con cualquier otro fin ajeno al descrito en este Acuerdo. Excepto lo indicado expresamente en este Acuerdo, Freescale no le otorga derechos expresos o implícitos bajo ninguna patente, copyright, marca comercial o secreto comercial de Freescale o de terceros. Además, usted debe reproducir y aplicar cualquier aviso de copyright o de otros derechos de propiedad, incluidos o integrados al software en cualquier copia u trabajos derivados del mismo, parcial o totalmente, si los hay.

SOPORTE. Freescale NO está obligado a proporcionar ningún soporte, actualizaciones o nuevas versiones del software. Si lo desea, puede contactar a Freescale e informar problemas y aportar sugerencias sobre el software. Freescale no tiene obligación alguna de responder de ninguna forma a dicho informe de problemas o sugerencias. Freescale puede hacer cambios al software en cualquier momento, sin ninguna obligación de notificarle o proporcionarle versiones actualizadas del software.

AUSENCIA DE GARANTÍAS. EN EL MÁXIMO GRADO PERMITIDO POR LAS LEYES, FREESCALE EXPRESAMENTE RENUNCIA A CUALQUIER GARANTÍA DEL SOFTWARE. ESTE SOFTWARE SE PROPORCIONA “TAL CUAL”, SIN GARANTÍAS DE NINGÚN TIPO, EXPRESAS O IMPLÍCITAS, INCLUIDAS ENTRE OTRAS LAS GARANTÍAS DE COMERCIALIZACIÓN, IDONEIDAD PARA UN FIN PARTICULAR O DE INVOLABILIDAD. USTED ASUME TODO EL RIESGO POR EL USO O RENDIMIENTO DEL SOFTWARE O CUALQUIER SISTEMA QUE DISEÑE USANDO EL SOFTWARE (SI LO HUBIERA). NADA DE ESTE ACUERDO SE PODRÁ INTERPRETAR COMO UNA GARANTÍA O DECLARACIÓN DE FREESCALE DE QUE EL SOFTWARE O CUALQUIER TRABAJO DERIVADO DESARROLLADO CON O QUE INCORPORA EL SOFTWARE ESTARÁ LIBRE DE VIOLAR LOS DERECHOS DE PROPIEDAD INTELECTUAL DE TERCEROS.

INDEMNIZACIÓN. Usted acuerda defender e indemnizar plenamente a Freescale por todos y cada uno de los reclamos, responsabilidades y costos (incluso los honorarios razonables de abogados) relacionados con (1) su uso (incluso el uso de sus sublicenciatarios, si se permite) del software o (2) su violación de los términos y condiciones de este Acuerdo.

LIMITACIÓN DE RESPONSABILIDAD LEGAL. EN NINGÚN CASO FREESCALE SERÁ RESPONSABLE POR CONTRATO, DOLO O DE NINGUNA OTRA FORMA POR NINGÚN DAÑO CIRCUNSTANCIAL, ESPECIAL, INDIRECTO, CONSECUENTE O PUNITIVO, INCLUIDOS ENTRE OTROS DAÑOS POR PÉRDIDA DE USO, PÉRDIDA DE TIEMPO, INCONVENIENTES, PÉRDIDA COMERCIAL O PÉRDIDA DE GANANCIAS, AHORROS O INGRESOS AL GRADO MÁXIMO QUE LO PERMITA LA LEY.

CUMPLIMIENTO CON LAS LEYES; RESTRICCIONES DE EXPORTACIÓN. Debe usar el software según las leyes, normativas y estatutos aplicables de EE.

UU. Usted acuerda que ni usted ni sus licenciatarios (si los hay) tienen intención de exportar o transmitir, directa o indirectamente, el software a ningún país en violación de la restricciones de exportación de EE. UU.

USO DEL GOBIERNO. El uso del software y cualquier documentación correspondiente, si sucede, se proporciona con DERECHOS RESTRINGIDOS. El uso, duplicación o divulgación del Gobierno están sujetos a las restricciones estipuladas en el subpárrafo (c)(1)(ii) de la cláusula sobre Derechos sobre datos técnicos y software de computadora en DFARS 252.227-7013 o los subpárrafos (c)(l) y (2) de la sección sobre Software comercial de computadora, derechos restringidos en 48 CFR 52.227-19, según sea aplicable. El fabricante es Freescale Semiconductor, Inc., 6501 William Cannon Drive West, Austin, TX, 78735.

ACTIVIDADES DE ALTO RIESGO. Usted reconoce que el software no tolera fallas y no está diseñado, fabricado o destinado por Freescale para la incorporación en productos para uso o reventa en equipos de control en línea en ambientes riesgosos, peligrosos para la vida o potencialmente peligrosos para la vida que requieran el rendimiento sin fallas, como en el funcionamiento de plantas nucleares, sistemas de navegación o comunicación de aeronaves, control de tráfico aéreo, máquinas para soporte de vida directo o sistemas de armas, en que la falla de los productos pueda causar directamente la muerte, lesiones personales o daños físicos o ambientales severos (“actividades de alto riesgo”). Usted específicamente declara y garantiza que no utilizará el software ni ningún trabajo derivado del software para actividades de alto riesgo.

ELECCIÓN DE LEYES; JURISDICCIÓN; LIMITACIONES. Usted acepta que los estatutos y leyes de Estados Unidos y del estado de Texas, EE. UU., sin importar los conflictos de principios de las leyes, se aplicarán a todos los asuntos relacionados con este Acuerdo o el software y acepta que cualquier litigio estará sujeto a la jurisdicción exclusiva de los tribunales estatales o federales en Texas, EE. UU. Usted acepta que, sin importar cualquier estatuto o ley que exprese lo contrario, cualquier reclamo o causa de acción que surja o se relacione con este Acuerdo o el software se debe presentar dentro de un (1) año después de que dicho reclamo o causa de acción surja o quedará prohibido para siempre.

ETIQUETADO DE PRODUCTOS. Usted no tiene autorización para usar ninguna marca comercial, nombre de marca o logotipo de Freescale.

ACUERDO COMPLETO. Este Acuerdo constituye el acuerdo completo entre usted y Freescale sobre el tema de este Acuerdo y reemplaza a todas las comunicaciones, negociaciones, entendimientos, acuerdos o declaraciones anteriores, tanto escritas como orales, si las hay. Este Acuerdo solo puede ser enmendado en forma escrita, con su firma y la de Freescale.

DIVISIBILIDAD. Si se determina que cualquiera de las disposiciones de este Acuerdo no es válida o no es aplicable, por cualquier motivo, las disposiciones restantes de este Acuerdo permanecerán vigentes y, a menos que se considere que la modificación o reemplazo de la disposición no válida o que no se puede aplicar lo priva a usted o a Freescale de un beneficio material, en cuyo caso el Acuerdo se terminará de manera inmediata, la disposición no válida o que no se puede aplicar será reemplazada por una que sea válida y se pueda aplicar y que se asemeje lo más posible a la intención subyacente de la disposición no válida o que no se puede aplicar.

SIN RENUNCIAS A RESPONSABILIDADES. La renuncia de Freescale a responsabilidad por cualquier violación de alguna disposición de este Acuerdo no funcionará ni se interpretará como una renuncia a la responsabilidad por cualquier otra o una violación posterior de la misma u otra disposición.

Consignes originales

Modèle : 34288NI



Machine de récupération, de recyclage et de recharge pour les systèmes de climatisation avec R-134a

Description : Station de récupération, de recyclage et de recharge à utiliser avec les systèmes de climatisation fonctionnant au R-134a.

INFORMATION PRODUIT

Notez le numéro de série et l'année de fabrication de cette machine pour référence future. Lisez l'étiquette d'identification du produit sur la machine pour obtenir ces renseignements.

N°de série : _____ Année de fabrication : _____

AVIS DE NON-RESPONSABILITÉ : Les renseignements, les illustrations et les spécifications contenues dans ce manuel reposent sur les dernières informations disponibles au moment de la publication. L'entreprise se réserve le droit d'apporter des modifications à tout moment sans être tenue de signaler ces révisions ou changements à des personnes ou des organisations. En outre, ROBINAIR ne saurait être tenue pour responsable des erreurs contenues dans ce document, ni des dommages indirects ou accessoires (manque à gagner inclus) liés à l'approvisionnement, au rendement ou à l'utilisation de ce matériel. Au besoin, il est possible d'obtenir de plus amples renseignements en matière de santé et de sécurité auprès des organismes gouvernementaux appropriés et des fabricants de véhicules, de réfrigérants et de lubrifiants.


Table des matières


Consignes de sécurité	2	Maintenance	19
Mots indicateurs de sécurité	2	Calendrier de maintenance	19
Autocollants de sécurité	2	Charger langue	20
Dispositifs de protection	4	Rempl réserv	21
Test du réservoir de réfrigérant	4	Maintenance du filtre	22
Introduction	5	Vérification de la capacité de filtration restante	22
Spécifications techniques	5	Remplacement du filtre	23
Caractéristiques.	6	Contr. calibrage	24
Fonctions du panneau de commande	8	Vidange d'huile de la pompe à vide.	25
Signification des icônes	9	Contrôle des fuites.	26
Fonctions du menu Configuration	10	Modifier l'en-tête de l'impression.	27
Configuration initiale	11	Remplacer le papier d'imprimante.	27
Déballage de la machine	11	Installation d'une imprimante.	28
Déballage du kit d'accessoires	11	A/C Service Function	29
Installation de la bouteille de vidange d'huile	11	Pièces de rechange.	29
Mise sous tension de la machine	11	Glossaire	29
Sélectionner une langue	12	Dépannage	30
Sélectionner unités	12	Stockage et transport de l'équipement	33
Régler la date et l'heure	12	Stockage	33
Modifier l'en-tête de l'impression.	12	Transport de l'équipement.	33
Vide d'entretien	13	Mise au rebut de l'équipement	34
Rempl réserv	13	Mise au rebut des matériaux recyclés	34
Activation station	14	Mise au rebut de la machine	34
Consignes d'utilisation	15	Mise au rebut des batteries	34
Récupération de réfrigérant d'un véhicule	15	Notes relatives à la licence du logiciel	35
Évacuation du système de climatisation du véhicule	16	Déclaration de garantie	Capot arrière
Recharge du système de climatisation du véhicule.	17		
Fonction automatique	18		


Consignes de sécurité

Explication des mots indicateurs de sécurité utilisée dans ce manuel

Le mot indicateur de sécurité désigne le degré ou le niveau de gravité du danger.

 **DANGER** : Indique une situation de danger imminent qui, si elle n'est pas évitée, entraînera des blessures graves, voire mortelles.

 **AVERTISSEMENT** : Indique une situation potentiellement dangereuse risquant, si elle n'est pas évitée, de provoquer des blessures graves, voire mortelles.

 **MISE EN GARDE** : Indique une situation potentiellement dangereuse risquant, si elle n'est pas évitée, de provoquer des blessures mineures ou modérées.

MISE EN GARDE : Sans le symbole d'alerte, indique une situation potentiellement dangereuse risquant, si elle n'est pas évitée, de provoquer des dommages matériels.

Ces messages de sécurité couvrent des situations connues par Robinair. Robinair ne peut pas anticiper, évaluer ni conseiller l'utilisateur sur tous les risques possibles. L'utilisateur doit s'assurer que les conditions et les procédures ne mettent pas en péril sa sécurité.

Explication des autocollants de sécurité utilisés sur la machine

	Lisez attentivement les consignes.
	Ne l'utilisez pas à l'air libre en cas de pluie ou d'humidité élevée.
	Portez des gants.
	Portez des lunettes de protection.
	Tension alternative.
	Protection de mise à la terre.
	Risque de choc électrique.



AVERTISSEMENT : Pour éviter les blessures corporelles,



SEUL LE PERSONNEL QUALIFIÉ DOIT ÊTRE AUTORISÉ À UTILISER LA MACHINE. Avant d'utiliser la machine, il est impératif de lire et de respecter les consignes et les avertissements reportés dans ce manuel. L'utilisateur doit connaître les systèmes de climatisation et de réfrigération, les réfrigérants et les dangers représentés par les composants sous pression. Si l'utilisateur ne peut pas lire ce manuel, les consignes d'utilisation et les mesures de sécurité doivent être lues et expliquées dans sa langue maternelle.



UTILISEZ LA MACHINE COMME INDIQUÉ DANS LE PRÉSENT MANUEL. Toute utilisation de la machine non conforme à l'usage pour lequel elle a été conçue compromettra son bon fonctionnement et réduira à néant le rôle des protections fournies.



LE RÉSERVOIR SOUS PRESSION CONTIENT DU RÉFRIGÉRANT. Évitez tout remplissage excessif de la cuve de stockage interne, sous peine de provoquer des explosions qui pourraient entraîner des blessures, voire la mort. Ne récupérez pas les réfrigérants dans des conteneurs non réutilisables; utilisez exclusivement des conteneurs réutilisables du type agréé munis de clapets de décharge de pression.



LES FLEXIBLES PEUVENT CONTENIR DU LIQUIDE RÉFRIGÉRANT SOUS PRESSION. Tout contact avec du réfrigérant peut provoquer des blessures, notamment la cécité et des gelures. Portez un équipement de protection, notamment des lunettes de protection et des gants de sécurité. Faites très attention lorsque vous débranchez les flexibles. Vérifiez que la phase en cours est terminée avant de débrancher la machine afin d'empêcher tout dégagement de réfrigérant dans l'atmosphère.



ÉVITEZ D'INHALER LES VAPEURS OU BROUILLARDS DE RÉFRIGÉRANT ET DE LUBRIFIANT DU SYSTÈME DE CLIMATISATION. Une telle exposition peut irriter les yeux, le nez et la gorge. Pour purger le réfrigérant du système de climatisation, n'utilisez que l'équipement certifié pour le type de réfrigérant à vidanger. Utilisez la machine dans des endroits pourvus d'une ventilation mécanique offrant au moins quatre changements d'air par heure. En cas de décharge accidentelle, aérez le lieu de travail avant de reprendre les activités.

NE DISPERSEZ PAS LE RÉFRIGÉRANT DANS L'ENVIRONNEMENT. Évitez la présence éventuelle de réfrigérant dans l'environnement de travail.



POUR RÉDUIRE LES RISQUES D'INCENDIE, n'utilisez pas la machine à proximité de conteneurs d'essence ouverts ou renversés, ou d'autres substances inflammables.

POUR RÉDUIRE LES RISQUES D'INCENDIE, n'utilisez pas de rallonge électrique. Une rallonge peut surchauffer et provoquer un incendie. Si l'emploi d'une rallonge est indispensable, veillez à ce qu'elle soit la plus courte possible et d'un calibre minimum de 14 AWG.

POUR RÉDUIRE LES RISQUES D'INCENDIE, n'utilisez pas la machine à proximité de flammes ou de surfaces chaudes. Le réfrigérant risque de se décomposer à haute température et de dégager des substances toxiques dans l'environnement, qui peuvent être nocives pour l'utilisateur.

POUR RÉDUIRE LES RISQUES D'INCENDIE, n'utilisez pas la machine dans des environnements contenant des vapeurs ou des gaz explosifs.

POUR RÉDUIRE LES RISQUES D'INCENDIE, n'utilisez pas cette machine dans des zones de catégorie ATEX. N'exposez pas la machine à des conditions susceptibles de provoquer une défaillance électrique ou d'autres risques liés à l'interaction avec l'atmosphère ambiante.



MISE EN GARDE — N'UTILISEZ PAS D'AIR COMPRIMÉ POUR FAIRE UN ESSAI DE PRESSION OU D'ÉTANCHÉITÉ DE LA MACHINE OU DU SYSTÈME DE CLIMATISATION. Les mélanges d'air et de réfrigérant R-134a peuvent être combustibles à des pressions élevées. Ces mélanges peuvent s'avérer dangereux et provoquer un incendie ou une explosion susceptible de se solder par des blessures et/ou des dommages matériels.



LA PRÉSENCE DE HAUTE TENSION DANS LA MACHINE EXPOSE L'UTILISATEUR À DES RISQUES DE CHOC ÉLECTRIQUE. Toute exposition peut provoquer des blessures. Débranchez l'alimentation avant de faire l'entretien de la machine.

NE LAISSEZ JAMAIS LA MACHINE SOUS TENSION SI UNE UTILISATION IMMÉDIATE N'EST PAS PRÉVUE. Débranchez l'alimentation électrique avant une longue période d'inactivité ou avant un entretien interne.

NE MODIFIEZ PAS LE CLAPET DE DÉCHARGE DE PRESSION ET NE CHANGEZ PAS LES RÉGLAGES DU SYSTÈME DE COMMANDE. Toute utilisation de la machine non conforme à l'usage pour lequel elle a été conçue compromettra son bon fonctionnement et réduira à néant le rôle des protections fournies.

Vous pouvez obtenir de plus amples informations sur la santé et la sécurité auprès des fabricants de fluides frigorigènes et de lubrifiants.

Consignes de sécurité

MISE EN GARDE : Pour éviter d'endommager l'équipement,



POUR ÉVITER TOUTE CONTAMINATION CROISÉE, UTILISEZ EXCLUSIVEMENT CETTE MACHINE AVEC DU RÉFRIGÉRANT R-134A. La machine est équipée de connecteurs spéciaux permettant de récupérer, recycler et recharger uniquement le réfrigérant R-134a. N'essayez pas d'adapter la machine à l'usage d'un autre réfrigérant. Ne mélangez pas différents types de réfrigérants dans un système ou dans le même conteneur; le mélange de réfrigérants endommagera gravement la machine et le système de climatisation du véhicule.

N'UTILISEZ PAS CETTE MACHINE SOUS LA LUMIÈRE DIRECTE DU SOLEIL. Éloignez la machine des sources de chaleur, comme la lumière directe du soleil, car elles peuvent provoquer des températures excessives. L'utilisation de cette machine dans des conditions environnementales normales (de 10 °C à 50 °C) maintient les pressions dans des limites raisonnables.



N'UTILISEZ PAS CETTE MACHINE À L'EXTÉRIEUR EN CAS DE PLUIE OU D'HUMIDITÉ ÉLEVÉE. N'exposez pas la machine à des conditions susceptibles de provoquer une défaillance électrique ou d'autres risques liés à l'interaction avec l'atmosphère ambiante.

N'UTILISEZ PAS CETTE MACHINE DANS DES ZONES EXPOSÉES À DES RISQUES D'EXPLOSION.

INSTALLEZ LA MACHINE SUR UNE SURFACE PLANE ET SOUS SUFFISAMMENT D'ÉCLAIRAGE. BLOQUEZ LES ROUES AVANTS ET NE SOUMETTEZ PAS LA MACHINE À DES VIBRATIONS.

POUR ÉVITER TOUTE INCOMPATIBILITÉS CHIMIQUE AVEC LES COMPOSANTS INTERNES DE LA MACHINE, UTILISEZ EXCLUSIVEMENT LES TYPES D'HUILE AGRÉÉS PAR LE FABRICANT DU VÉHICULE. Des problèmes liés à l'utilisation d'huiles non-agrèées entraîneront la nullité de la garantie.

Vous pouvez obtenir de plus amples informations sur la santé et la sécurité auprès des fabricants de fluides frigorigènes et de lubrifiants.

Dispositifs de protection

La machine est équipée des dispositifs de protection suivants :

- clapets de surpression;
- un pressostat qui arrête le compresseur lorsqu'une pression excessive est détectée.



AVERTISSEMENT : Modifier ces dispositifs de protection peut entraîner des blessures graves.

Test du réservoir de réfrigérant

Les rapports officiels et les tests récurrents nécessaires pour les instruments sous pression sont régis par la législation et/ou les réglementations nationales en fonction du pays d'utilisation du réservoir de réfrigérant. Le gestionnaire du système est responsable de la conformité aux lois, réglementations et règles techniques. Dans des conditions normales d'utilisation, les réservoirs de réfrigérant ne requièrent aucun entretien. Reportez-vous à la section « Maintenance » de ce manuel pour de plus amples informations.

Cette machine est utilisée sur les véhicules équipés de R-134a et elle a été conçue pour être compatible avec les équipements de réparation actuels et les procédures d'entretien standard. Cette machine utilise un système à un seul passage (c'est-à-dire que le réfrigérant ne s'écoule qu'une seule fois à travers un filtre) conforme aux spécifications relatives au réfrigérant recyclé. Respectez les procédures d'entretien recommandées pour le confinement du R-134a.

Remarque : Les systèmes de réfrigérant requièrent l'utilisation d'huiles spéciales. Reportez-vous au manuel d'entretien du fabricant du système de climatisation pour connaître les spécifications de l'huile.

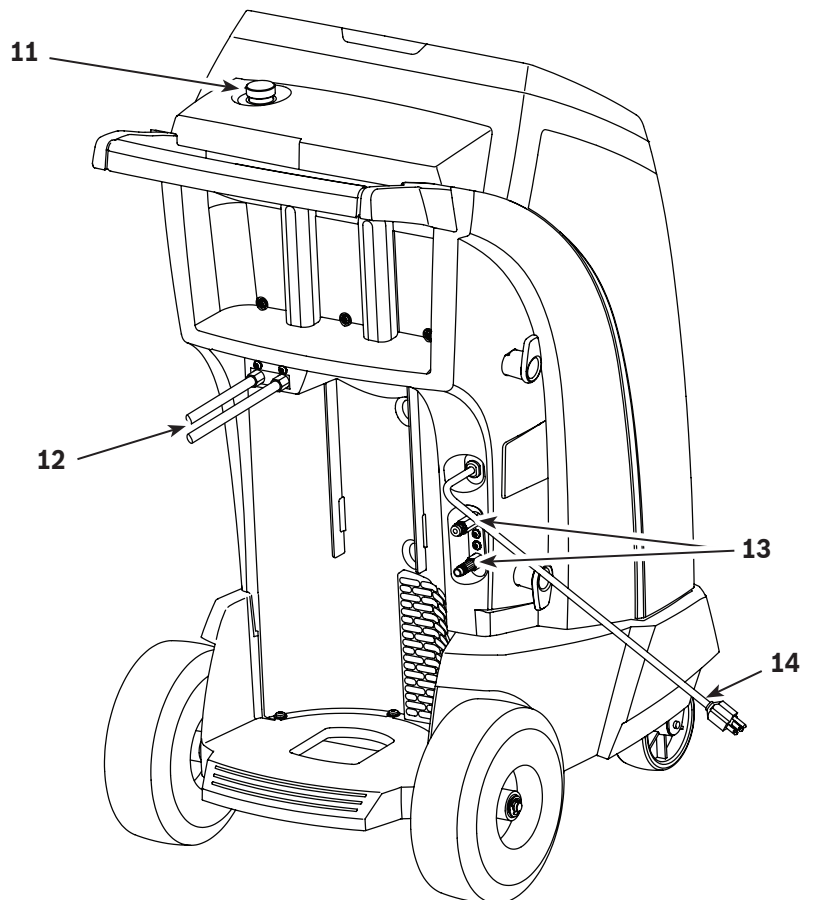
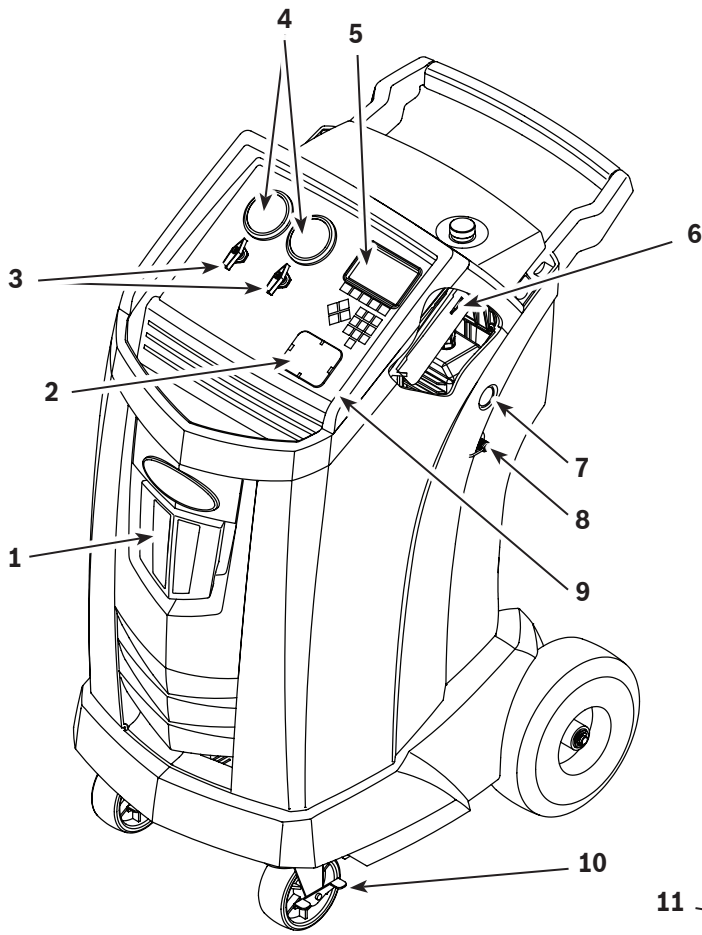


Spécifications techniques

Dimensions	107 cm x 61 cm x 76 cm
Affichage	écran ACL de 5 × 9 cm (4,3 po diag.)
Capacité du réservoir	68 kg (150 lb)
Humidité	32,2 °C (90 °F), 80 % HR sans condensation
Manomètre	∅ 80 mm (3,15 po)
Pression maximale	27,3 bar (396 lb/po ²)
Bruit	<70 dB(A)
Tension nominale	115 V, 60 Hz
Capacité de la bouteille de vidange d'huile ...	355 ml (12 oz)
Température de fonctionnement. ...	10 °C à 50°C (50 °F à 122 °F)
Consommation électrique	1 380 VA
Déplacement d'air libre de la pompe à vide	1,5 PI ³ /MIN (42 L/m), 60 Hz
Flexibles de service	2,75 m/SAE J2196
Capacité du réservoir	10 kg (22 lb)
Poids	73 kg (161 lb)

Introduction

Caractéristiques



Élément n°	Description
1	Bouteille de vidange d'huile
2	Capot de l'imprimante (imprimante vendue séparément)
3	Vannes du panneau
4	Jauges collectrices côté bas (bleu) et côté haut pression (rouge)
5	Écran graphique et clavier
6	Connexion carte SD
7	Indicateur de niveau d'huile de pompe à vide
8	Raccord de vidange d'huile de pompe à vide
9	Contacteur d'alimentation
10	Verrouillage de roue
11	Bouchon et orifice de remplissage d'huile de la pompe à vide
12	Flexibles de service
13	Orifices de stockage des flexibles de service
14	Cordon d'alimentation

Introduction

Fonctions du panneau de commande

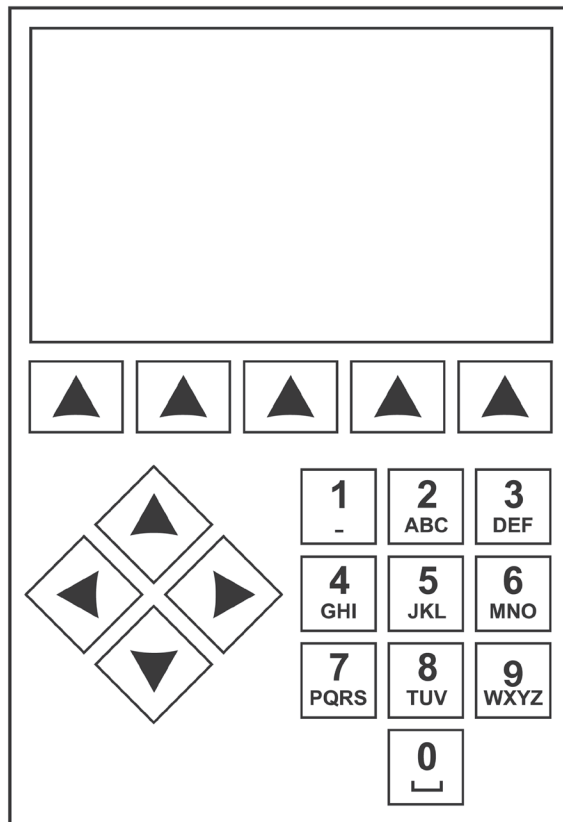
FLÈCHE VERS LE HAUT met l'élément précédent en surbrillance.

FLÈCHE VERS LE BAS met l'élément suivant en surbrillance.

FLÈCHE VERS LA DROITE fait défiler vers l'écran suivant.

FLÈCHE VERS LA GAUCHE fait défiler vers l'écran précédent.

FLÈCHES DE SÉLECTION permettent d'effectuer une sélection ou de répondre à une demande.



Clavier du panneau de commande

Signification des icônes



ICÔNE AUTOMATIQUE

La touche sous cette icône permet d'accéder au processus automatique de vide, de charge et de récupération du réfrigérant.



ICÔNE RÉCUPÉRATION

La touche sous cette icône permet d'accéder au processus de récupération du réfrigérant.



ICÔNE VIDE

La touche sous cette icône permet d'accéder au processus de mise sous vide du système.



ICÔNE CHARGE

La touche sous cette icône permet d'accéder au processus de charge du réfrigérant.



ICÔNE SUIVANT/AVANCER

La touche sous cette icône permet d'accéder aux options suivantes de sélection du menu, ou encore à l'étape suivante d'une fonction ou d'un processus.



ICÔNE RETOUR

La touche sous cette icône permet d'accéder aux options précédentes de sélection du menu, ou encore à l'étape précédente d'une fonction ou d'un processus.



ICÔNE AIDE

La touche sous cette icône permet d'obtenir de l'aide et des renseignements au sujet l'écran affiché et/ou la fonction en cours d'affichage/d'exécution.



ICÔNE BASE DE DONNÉES

La touche sous cette icône permet d'accéder au processus de récupération de la base de données du véhicule.



ICÔNE MENU DE CONFIGURATION

La touche sous cette icône permet d'accéder au menu de configuration.



ICÔNE OUI/ACCEPTER

La touche sous cette icône permet de confirmer tous les choix effectués à l'écran affiché et de passer à l'étape suivante de la fonction.



ICÔNE NON/FERMER

La touche sous cette icône permet de rejeter tous les choix effectués à l'écran affiché et de revenir à l'étape précédente de la fonction ou au menu principal.



ICÔNE RÉESSAYER

La touche sous cette icône permet de reprendre le processus ou la fonction en cours.



ICÔNE SÉLECTION DU CHEMIN DE CHARGE

La touche sous cette icône permet de sélectionner le chemin souhaité de charge du réfrigérant entre les côtés haute et basse pressions, ou les deux.



ICÔNE ACTIVÉ/DÉSACTIVÉ

La touche sous cette icône permet d'activer ou de désactiver la fonction mise en surbrillance, au besoin.



ICÔNE RETOUR ARRIÈRE

La touche sous cette icône permet de supprimer un caractère textuel à gauche de l'emplacement du curseur.



ICÔNE PAUSE

La touche sous cette icône permet de mettre en pause le processus en cours.



ICÔNE REPRISE

La touche sous cette icône permet de reprendre un processus mis en pause.



ICÔNE IMPRIMER

La touche sous cette icône permet d'imprimer un récapitulatif du processus complet en cours.



ICÔNE SUPPRIMER

La touche sous cette icône permet de supprimer une entrée sélectionnée dans la mémoire de la machine.



ICÔNES DE CHANGEMENT D'UNITÉS



Les touches sous ces icônes font basculer les unités de mesure pour le champ d'entrée en cours.

Introduction

Fonctions du menu Configuration

Pour accéder aux fonctions suivantes, appuyez sur la touche Menu et sélectionnez Configuration.

Sélectionner une langue

Sélectionnez une langue d'affichage des écrans. L'anglais est la langue par défaut.

Égalisation des flexibles

Cette rubrique du menu Configuration permet de récupérer le réfrigérant des flexibles de service et le transférer vers le système climatisation du véhicule. Cette rubrique est utile après avoir réalisé des diagnostics qui ne nécessitent pas la récupération du système de climatisation dans la machine RRR. L'utilisateur sera invité à brancher le flexible de service côté basse pression à l'orifice appropriée et à démarrer le système de climatisation du véhicule sur max.

Rempl réserv

Cette rubrique du menu Configuration permet de transférer le réfrigérant d'un réservoir source vers la bouteille de récupération. Il est possible d'augmenter ou de diminuer la quantité de remplissage du réservoir en fonction des exigences de l'utilisateur. Reportez-vous à Remplissage du réservoir dans la section Maintenance.

Suivi du réfrigérant

Si activé, la machine conservera les enregistrements du réfrigérant récupéré, chargé et réapprovisionné (rempli à partir du réservoir source). Ces données peuvent être exportées vers la carte SD ou imprimées (si l'imprimante est installée).

Gestion du réfrigérant

Affiche la quantité de réfrigérant récupérée, chargée, remplie (pendant la durée de vie de la machine) et filtrée depuis le dernier remplacement du filtre.

Maintenance du filtre

Le filtre élimine l'acide, les particules et l'humidité du réfrigérant. Afin de répondre aux exigences, il est obligatoire de remplacer le filtre une fois que 68 kg (150 lb) de réfrigérant ont été filtrés.

Cette rubrique affiche la capacité de filtration restante jusqu'à ce que la machine se bloque et cesse de fonctionner. Reportez-vous à Maintenance du filtre dans la section Maintenance.

Maintenance pompe

Affiche le temps restant jusqu'à la prochaine vidange d'huile de la pompe à vide. Pour garantir les meilleures performances de la pompe à vide, vidangez l'huile de la pompe à vide à chaque fois que vous remplacez le filtre.

Reportez-vous à Vidange d'huile de la pompe à vide dans la section Maintenance.

Contr. calibrage

Permet de vérifier le calibrage de la balance interne. Reportez-vous à Contrôle du calibrage dans la section Maintenance de ce manuel d'utilisation.

Cond. purge bouteille récupé.

Affiche la température et la pression du réservoir interne.

Affichage info titre

Active/désactive l'information diagnostique de la machine à afficher dans la barre de titre de l'affichage.

Contrôle des fuites

Lance un contrôle des fuites sur la machine.

Sélectionner unités

Programme la machine pour qu'elle affiche les unités de mesure en kilogrammes ou en livres. L'affichage par défaut est en kilogrammes.

Date et heure

Programme la date et l'heure de la machine.

Modifier l'en-tête de l'impression

Programme les informations qui s'afficheront sur l'impression chaque fois qu'une fonction d'impression sera utilisée.

Remplacer les flexibles de service

Lance une série de mesures requises pour remplacer les flexibles de service.

Durée du vide par défaut

Permet à l'utilisateur de modifier le réglage par défaut de la machine.

Activation station

Si la machine n'est pas enregistrée et activée dans les 30 jours suivant le démarrage initial, elle se bloquera et ne fonctionnera plus. Sélectionnez cette rubrique du menu Configuration et suivez les messages-guides à l'écran avant l'expiration de la période d'essai.

Informations système

Affiche le niveau de révision du logiciel de la machine.

Menu Service

Réservé exclusivement au centre d'assistance Robinair.

Menu Production

Réservé exclusivement à la production Robinair.

Déballage de la machine

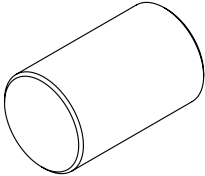
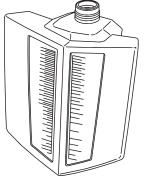

1. Enlevez les bandes de la boîte.
2. Enlevez le rabat supérieur en carton, la protection en pâte moulée et les cornières.
3. Enlevez la gaine du plateau inférieur en carton.
4. Faites rouler doucement le groupe vers l'avant et enlevez la palette, en évitant d'exposer la machine à des chocs soudains.



AVERTISSEMENT : Pour éviter toute blessure corporelle lors de la manipulation du réfrigérant, veuillez lire et respecter les consignes et avertissements reportés dans ce manuel, et porter un équipement de protection, notamment des lunettes et des gants.

Déballage du kit d'accessoires

Déballer le kit d'accessoires de la boîte et enlever l'emballage en plastique.

Poids d'étalonnage Poids 533 kg (1,18 lb) 	Bouteille de vidange d'huile 
Sachet contenant le manuel d'utilisation, les fiches signalétiques, et une liste des centres d'assistance.	Adaptateur du réservoir 

Installation de la bouteille de vidange d'huile

1. Localisez le coupleur de vidange d'huile sur le devant de la machine (voir Figure 1).
2. Lubrifiez le joint torique à l'intérieur du coupleur.
3. Insérez la bouteille de vidange d'huile dans le coupleur, en poussant tout droit vers le haut. (N'appliquez pas un mouvement de torsion ni de basculement.)

Mise sous tension de la machine

1. Déroulez le cordon d'alimentation et branchez-le sur une prise mise à la terre dont la tension est adéquate.
2. Positionnez la machine de manière à ce que l'utilisateur puisse accéder facilement à la prise et à l'interrupteur d'alimentation. Vérifiez que les événements du ventilateur à l'arrière de la machine ne sont pas bouchés.
3. Bloquez les roues avant.
4. Appuyez sur le contacteur d'alimentation sur le panneau de commande pour mettre la machine sous tension.

La machine démarre en mode de Configuration initiale.

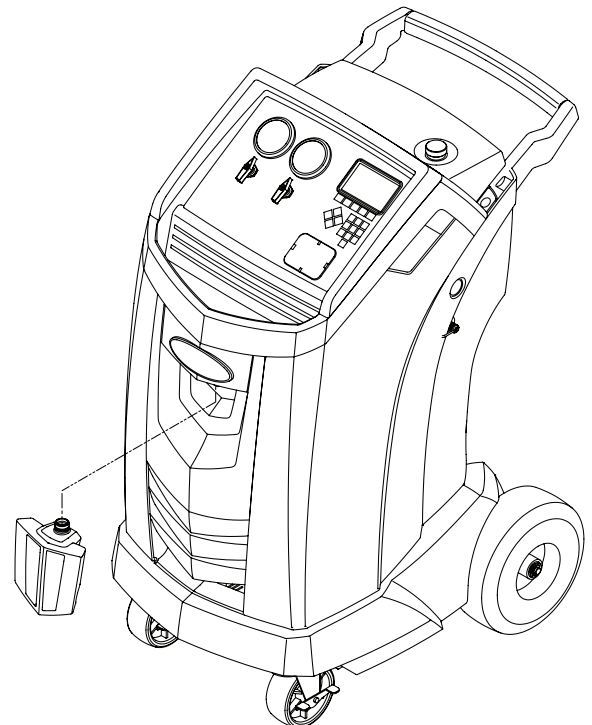


Figure 1

Configuration initiale

Sélectionner une langue

L'utilisateur sélectionne une langue d'affichage des messages à l'écran. L'anglais est la langue par défaut.

1. Utilisez la touche fléchée vers le **HAUT** ou vers le **BAS** pour faire défiler ligne par ligne les différentes langues disponibles.
2. Sélectionnez ✓ pour définir la langue sélectionnée.

Remarque : Pour mettre à jour une langue existante ou ajouter une nouvelle langue, référez-vous à Chargement d'une langue dans la section Maintenance de ce manuel.

Sélectionner unités

L'utilisateur règle l'affichage des unités de mesure. Le réglage par défaut est le système métrique.

3. Appuyez sur la touche **FLÈCHE VERS LE HAUT** ou la touche **FLÈCHE VERS LE BAS** pour activer les unités impériales ou métriques.
4. Sélectionnez ✓ pour choisir l'unité de mesure affichée.

Régler la date et l'heure

Utilisez les touches fléchées pour déplacer le curseur. Utilisez le clavier pour modifier les informations affichées.

5. Utilisez les touches **FLÈCHE VERS LE HAUT** et **FLÈCHE VERS LE BAS** pour sélectionner l'élément à changer : jour, mois, année ou heure. Sélectionnez **I/O** pour activer AM ou PM.
6. Utilisez l'interface de frappe sur le clavier numérique pour modifier les informations :
7. Sélectionnez ✓ pour enregistrer.

Modifier l'en-tête de l'impression

Cette machine a la capacité d'imprimer les informations de récupération, de vide et de charge si une imprimante est installée (vendue séparément). Les informations entrées dans Éditer titre impression s'affichent sur chaque impression.

1. Pour saisir le texte, utilisez les touches fléchées et l'interface de frappe sur le clavier numérique :
 - La touche **FLÈCHE VERS LA GAUCHE** et la touche **X** servent de touche Retour Arrière.
 - La touche **FLÈCHE VERS LA DROITE** déplace le curseur vers la droite.
 - La touche **0 (ZERO)** sert de barre d'espacement lorsqu'elle est appuyée deux fois.
 - Les touches fléchées vers le **HAUT** et vers le **BAS** permettent de naviguer entre les différentes lignes.
2. Sélectionnez ✓ pour enregistrer/quitter la fonction; sélectionnez **X** pour revenir à l'en-tête précédente sans avoir enregistré les données.

Vide d'entretien

À ce stade, la machine effectue le nettoyage de sa plomberie interne avant de poursuivre.

1. Contrôlez l'indicateur de niveau d'huile de la pompe à vide et vérifiez que le niveau d'huile se trouve au centre de l'indicateur de niveau.
2. Quand vous y êtes invité, branchez les flexibles de service de la machine sur leurs orifices de stockage, comme illustré sur la Figure 2. Sélectionnez ►► pour poursuivre.
3. La machine passe en mode vide de 5 minutes et après, passe automatiquement au prochain processus configuré.

Rempl réserv

Cette procédure transfère le réfrigérant d'un réservoir source vers la bouteille de récupération de la machine. La capacité maximum de la bouteille de récupération est de 10 kg (22 lb). Utilisez les touches fléchées pour déplacer le curseur; utilisez le clavier pour saisir une valeur.

1. La machine affiche les champs relatifs à la contenance du réservoir, au réfrigérant qui peut être chargé et à la quantité de réfrigérant pouvant être récupéré (capacité de récupération) dans la bouteille de récupération. Saisissez la contenance du réservoir.

Remarque : Ajoutez au moins 3,6 kg de réfrigérant afin de garantir une quantité suffisante de réfrigérant disponible pour la charge.

2. Installez l'adaptateur de réservoir (inclus) sur le réservoir source.
3. Raccordez le coupleur du flexible côté basse pression à l'adaptateur de réservoir.
4. Ouvrez la vanne du réservoir source, la vanne du coupleur côté basse pression et la vanne du panneau côté basse pression.
5. Positionnez le réservoir source de manière à ce que l'alimentation en réfrigérant liquide arrive à la connexion.
6. Sélectionnez ✓ pour démarrer le processus de remplissage du réservoir. La machine commence à remplir la bouteille de récupération. Ajoutez au moins 3,6 kg de réfrigérant afin de garantir une quantité suffisante de réfrigérant disponible pour la charge. Cette procédure demande 15 à 20 minutes.
7. La machine s'arrête lorsque la quantité pré réglée de réfrigérant a été transférée dans la bouteille de récupération ou lorsque le réservoir source est vide. Suivez les messages qui s'affichent à l'écran.
8. Fermez la vanne du réservoir source.
9. Sélectionnez ✕ pour terminer la configuration initiale.

La machine est prête à l'emploi.



AVERTISSEMENT : Pour éviter toute blessure corporelle lors de la manipulation du réfrigérant, veuillez lire et respecter les consignes et avertissements reportés dans ce manuel, et porter un équipement de protection, notamment des lunettes et des gants.

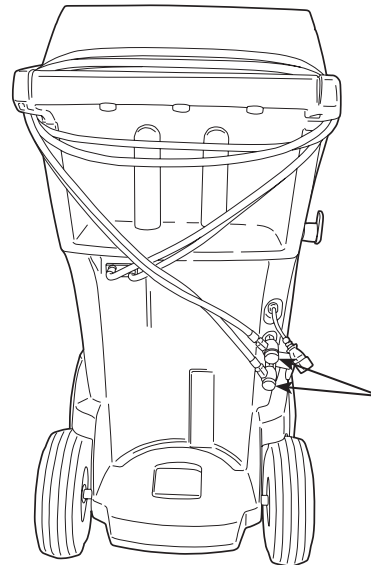


Figure 2

Remarques :

- La balance n'a pas besoin d'être calibrée; elle est calibrée à l'usine.
- Après le remplissage du réservoir, la quantité indiquée sur l'écran ne sera pas identique à celle du niveau de remplissage programmé.
- La quantité affichée et disponible pour le chargement est inférieure d'environ 0,67 kg (1,4 lb) à la quantité totale de réfrigérant dans le réservoir.
- Pour assurer des performances optimales lors du remplissage du réservoir, vérifiez la bonne orientation du réservoir source. Certains réservoirs doivent être inversés pour approvisionner le liquide.

Capacité de charge : La quantité de réfrigérant dans la bouteille de récupération qui peut être chargée dans le système de climatisation du véhicule.

Capacité de récupération : La quantité de réfrigérant supplémentaire qui peut être récupérée dans la bouteille de récupération.

Configuration initiale

Activation station

Si la machine n'est pas enregistrée et activée dans les 30 jours suivant le démarrage initial, elle se bloquera et ne fonctionnera plus.

1. Sélectionnez **Activation station** dans le menu **Configuration**.
La machine affiche

XX jrs rest avt activ stat.
Activer maintenant ?

2. Sélectionnez pour démarrer le processus d'activation.
La machine affiche

Activation produit

Code pduit perso:
XXXXXXXXXXXX

Sais cod::
XXXXXXXXXXXX



3. Ouvrez un navigateur Web sur un ordinateur personnel et saisissez <https://register.servicesolutionsportal.com>.
4. Saisissez votre nom d'utilisateur et votre mot de passe, puis connectez-vous au site Internet.
Remarque : S'il s'agit de votre première visite, sélectionnez S'INSCRIRE pour créer un nom d'utilisateur et un mot de passe.
5. Sur l'ordinateur personnel, saisissez le code de produit personnel de la machine dans la zone Clé d'activation de produit sur le site Web pour recevoir un code d'activation.
6. Sur la machine, saisissez le code d'activation dans le champ correct. Remarque : Saisissez le code exactement tel qu'il vous a été envoyé. Des lettres majuscules sont nécessaires.
7. Notez le code d'activation sur un bout de papier et rangez-le dans un endroit sûr. Sélectionnez .
8. La machine affiche

Activation réussie.

Sélectionnez **▶▶**. La machine est activée.



Récupération de réfrigérant d'un véhicule



1. Videz la bouteille de vidange d'huile avant d'entamer une récupération. Enlevez la bouteille de vidange d'huile de la machine en tirant celle-ci tout droit vers le bas; ne faites pas de mouvement rotatif ou basculant. Réinstallez la bouteille de vidange d'huile. Reportez-vous à la Figure 3.
2. Sélectionnez **RÉCUPÉRATION**  du **MENU PRINCIPAL**.
3. Branchez les flexibles côté haute pression (rouge) et côté basse pression (bleu) sur le système de climatisation du véhicule.
4. Ouvrez les vannes du coupleur sur les flexibles en tournant les colliers dans le sens horaire.
5. Ouvrez les vannes côté haute pression et basse pression sur le panneau de commande.
6. Sélectionnez  pour poursuivre.

La machine lance le processus de récupération. Le déclic indique que le solénoïde s'ouvre et se ferme; ceci est normal.

La machine exécute un cycle d'auto-nettoyage pour éliminer tout reste de réfrigérant de sa plomberie interne.

La récupération du système débute et comprend un processus de récupération profond à vide chronométré.

À la fin de la récupération, la machine effectue une vidange d'huile; cette opération peut prendre jusqu'à 90 secondes.

7. À la fin de la vidange d'huile, un récapitulatif est affiché indiquant la quantité totale de réfrigérant récupéré. L'utilisateur est invité à « Vérifier la bouteille de vidange d'huile » pour noter la quantité d'huile vidangée. L'information de récupération peut être imprimée en sélectionnant  sur les machines équipées d'une imprimante.
8. Sélectionnez  pour revenir au menu principal.

Remarque : Le poids de récupération affiché peut varier en fonction des conditions ambiantes et ne doit pas servir d'indicateur de précision de la balance.

Remarque : La quantité d'huile qui a été enlevée du système de climatisation correspond à la quantité de nouvelle huile qui peut être chargée dans le système de climatisation après l'évacuation.

- *Seul un nouveau lubrifiant, tel que spécifié par le fabricant du système, doit être installé dans le système MAC. Le lubrifiant retiré du système et / ou de l'équipement doit être éliminé conformément aux procédures et règlements fédéraux, provinciaux et locaux applicables.*



AVERTISSEMENT : Pour éviter toute blessure corporelle lors de la manipulation du réfrigérant, veuillez lire et respecter les consignes et avertissements reportés dans ce manuel, et porter un équipement de protection, notamment des lunettes et des gants.

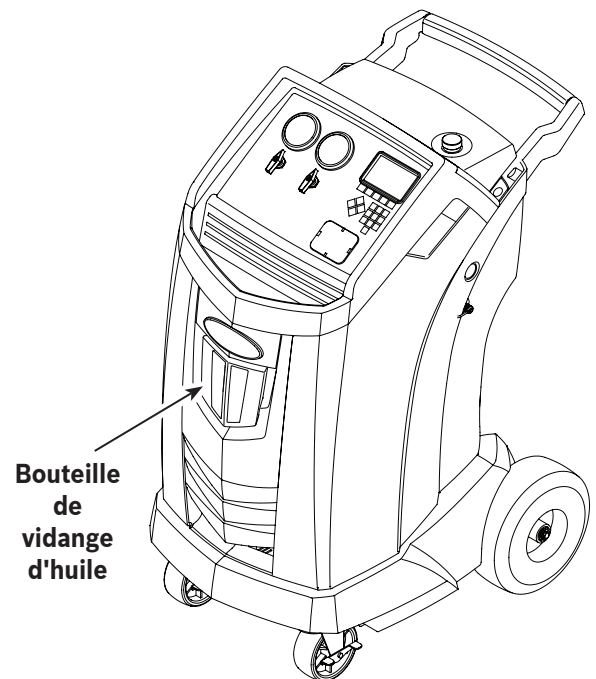





Figure 3

Consignes d'utilisation





Évacuation du système de climatisation du véhicule

1. Sélectionnez **VIDE**  du **MENU PRINCIPAL**.
2. Sélectionnez Contrôle des fuites après vide, si désiré, pour effectuer automatiquement un contrôle des fuites par chute de pression de 5 minutes après vide.
3. Sélectionnez  pour accepter la durée d'évacuation par défaut de 10 minutes, ou saisissez la durée de vide souhaitée à l'aide des touches numériques.
4. Branchez les flexibles de service sur les orifices d'entretien du véhicule.
5. Ouvrez les vannes du coupleur de flexible de service en tournant les colliers dans le sens horaire.
6. Ouvrez les deux vannes du panneau.
7. Sélectionnez  pour démarrer le processus de vide.

Remarque : Le processus de vide s'arrêtera si la pression passe au-dessus de 1,1 bar (16 psi). Récupérez le réfrigérant avant de poursuivre.

La machine met le système de climatisation sous vide pendant la durée programmée.

L'information de vide peut être imprimée en sélectionnant  sur les machines équipées d'une imprimante.

8. Sélectionnez  pour revenir au menu principal.

IMPORTANT: La machine met le système de climatisation du véhicule sous vide pour retirer l'air et éliminer l'humidité. Évacuez le système pendant au moins 10 minutes pour assurer l'élimination adéquate d'humidité et de contaminant, à moins d'indication contraire par le fabricant du véhicule.



AVERTISSEMENT : Pour éviter toute blessure corporelle lors de la manipulation du réfrigérant, veuillez lire et respecter les consignes et avertissements reportés dans ce manuel, et porter un équipement de protection, notamment des lunettes et des gants.




Recharge du système de climatisation du véhicule

1. Branchez les deux flexibles de service sur les orifices d'entretien du véhicule.
2. Sélectionnez **CHARGE**  du **MENU PRINCIPAL**.

L'écran affiche

Charge : XX.XXX kg
Chemin de charge: haute
Charge mini: 10g

3. Utilisez les touches fléchées et le clavier numérique pour saisir la quantité de charge désirée. Sélectionnez **kg|lbs|oz** pour changer les unités.
4. Utilisez les touches fléchées pour faire défiler l'écran vers la sélection du chemin de charge. Côté haute pression par défaut. Sélectionnez **HSL** pour choisir parmi les chemins de charge soit côté haute pression, basse pression ou les deux. La sélection actuelle est indiquée à l'écran.
5. Sélectionnez **▶▶** pour poursuivre.
6. Suivez les messages-guides à l'écran pour modifier les positions de la vanne du panneau selon le chemin de charge spécifié.
Remarque : L'huile peut être injecté à ce stade en utilisant l'injecteur 18480 ou 18490 Robinair (vendus séparément).
7. Sélectionnez **▶▶** pour démarrer le processus de charge. Le fait de déplacer ou de heurter la machine à ce stade peut entraîner une charge inexacte. Lorsque le cycle de charge s'approche de la valeur de poids souhaitée, la machine ralentit. Celle-ci chargera, ralentira, chargera de nouveau, ralentira, etc.
8. Suivez les instructions à l'écran pour effectuer l'égalisation des flexibles.
Remarque : L'utilisateur doit mettre le véhicule en marche pour effectuer l'égalisation des flexibles.
9. L'utilisateur reçoit alors la commande de fermer les vannes de coupleur et de débrancher les flexibles du véhicule. Sélectionnez **▶▶** pour récupérer tout réfrigérant restant dans les flexibles.
10. Lorsque le message **CHARGE TERMINÉE** s'affiche à l'écran, il est accompagné d'un récapitulatif des résultats de charge. L'utilisateur peut sélectionner  pour imprimer un récapitulatif, si une imprimante est installée. Sélectionnez **▶▶** pour revenir au menu principal.

Le système de climatisation du véhicule est désormais prêt à l'emploi.



AVERTISSEMENT : Pour éviter toute blessure corporelle lors de la manipulation du réfrigérant, veuillez lire et respecter les consignes et avertissements reportés dans ce manuel, et porter un équipement de protection, notamment des lunettes et des gants.

Remarque : Le processus de charge diffère d'un véhicule à l'autre. La fonction de charge des véhicules équipés d'un seul raccord d'entretien doit être effectuée manuellement. Consultez les consignes spécifiques reportées dans le manuel d'entretien du véhicule.


MISE EN GARDE : Si les vannes des coupleurs côté bas (bleu) ou haut (rouge) restent ouvertes pendant le processus de nettoyage des flexibles, le système fera ressortir le réfrigérant du véhicule.

Consignes d'utilisation






Fonction automatique

La fonction **AUTOMATIQUE** permet à l'utilisateur d'effectuer une récupération, un vide, un essai d'étanchéité et/ou une séquence de charge automatique. L'exécution d'une séquence automatique peut prendre au total une heure.

1. Branchez les flexibles côté haute pression (rouge) et côté basse pression (bleu) sur le système de climatisation.
2. Ouvrez les vannes du coupleur de flexible de service en tournant les colliers dans le sens horaire.
3. Sélectionnez **AUTOMATIQUE**  du **MENU PRINCIPAL**. L'écran affiche


Tps vide: XX:XX
Chrg: XX.XXX kg
Chemin de charge: Haute

4. Utilisez le clavier numérique pour saisir la longueur désirée de vide.
5. Utilisez les touches fléchées et le clavier numérique pour saisir la quantité de charge désirée. Sélectionnez **kg|lbs|oz** pour changer les unités.
6. Utilisez les touches fléchées pour faire défiler l'écran vers la « sélection du chemin de charge ». Côté haute pression par défaut. Sélectionnez **HSL** pour choisir parmi les chemins de charge soit côté haute pression, basse pression ou les deux. Le texte à l'écran changera à la sélection actuelle.
7. Sélectionnez **▶▶** pour poursuivre.
8. Suivez les messages-guides pour modifier les positions de vanne.
9. Sélectionnez **▶▶** pour démarrer le cycle **AUTOMATIQUE**. La machine procédera maintenant aux fonctions applicables : **RÉCUPÉRATION, VIDE** et **CHARGE**.
Si la machine détecte une basse pression, suivez les messages-guides à l'écran et sélectionnez  pour poursuivre le cycle automatique avec récupération,  pour effectuer le vide ou  pour annuler.
10. Avant de recharger le système, l'écran de la machine s'illumine en jaune indiquant que le système est en attente pour l'entrée utilisateur. Suivez les messages-guides à l'écran pour modifier les positions de la vanne du panneau selon le chemin de charge spécifié.

Remarque : L'huile peut être injectée à ce moment à l'aide d'un injecteur manuel d'huile.



AVERTISSEMENT : Pour éviter toute blessure corporelle lors de la manipulation du réfrigérant, veuillez lire et respecter les consignes et avertissements reportés dans ce manuel, et porter un équipement de protection, notamment des lunettes et des gants.

11. Sélectionnez **▶▶** pour démarrer le processus de charge. Le fait de déplacer ou de heurter la machine à ce stade peut entraîner une charge inexacte. Lorsque le cycle de charge s'approche de la valeur de poids souhaitée, la machine ralentit. Celle-ci chargera, ralentira, chargera de nouveau, ralentira, etc.
12. Suivez les instructions à l'écran pour effectuer l'égalisation des flexibles.
Remarque : L'utilisateur doit mettre le véhicule en marche pour effectuer l'égalisation des flexibles.
13. L'utilisateur reçoit alors la commande de fermer les vannes de coupleur et de débrancher les flexibles du véhicule. Sélectionnez **▶▶** pour récupérer tout réfrigérant restant dans les flexibles.
14. Lorsque le message du cycle **AUTOMATIQUE TERMINÉ** s'affiche à l'écran, il est accompagné d'un récapitulatif des résultats. L'utilisateur peut sélectionner  pour imprimer un récapitulatif, si une imprimante est installée. Sélectionnez **▶▶** pour revenir au menu principal.

Le système de climatisation du véhicule est désormais prêt à l'emploi.

*Remarque : La fonction **CHARGE** pour les véhicules équipés d'un seul raccord d'entretien doit être effectuée manuellement conformément aux procédures reportées dans le manuel d'entretien du fabricant du véhicule.*

IMPORTANT: La machine met le système de climatisation du véhicule sous vide pour retirer l'air et éliminer l'humidité. Évacuez le système pendant au moins 10 minutes pour assurer l'élimination adéquate d'humidité et de contaminant, à moins d'indication contraire par le fabricant du véhicule.

Calendrier de maintenance

Activité de maintenance	Intervalles recommandés
Remplacement du filtre	Après la filtration de 68 kg (150 lb) de réfrigérant. Reportez-vous à Maintenance du filtre dans la section Maintenance de ce manuel.
Vidange d'huile de la pompe à vide	Lors du remplacement du filtre. Reportez-vous à Vidange d'huile de la pompe à vide dans la section Maintenance de ce manuel.
Contrôle du bon fonctionnement des roulettes et des roues	Une fois par mois.
Contrôle du calibrage de la balance interne	Une fois par mois. Reportez-vous à Contrôle du calibrage dans la section Maintenance de ce manuel.
Contrôle des fuites de la machine	Une fois par mois. Vérifiez l'absence de fuites des flexibles et raccordements. Débranchez l'alimentation, enlevez le déflecteur et utilisez un détecteur de fuites électronique pour contrôler les raccords.
Nettoyage du panneau de sortie d'air (voir Figure 4)	Une fois par mois. Utilisez un chiffon propre.
Nettoyage du boîtier et du panneau de commande	Une fois par mois. Utilisez un chiffon propre.
Contrôle de la présence de coupures ou d'abrasions sur le cordon d'alimentation et les flexibles	Tous les jours.
Lubrification des roulements de roue et inspection des organes de frein	Une fois par mois.
Test de pression	Tous les 10 ans. Effectué par un centre d'entretien Robinair agréé.

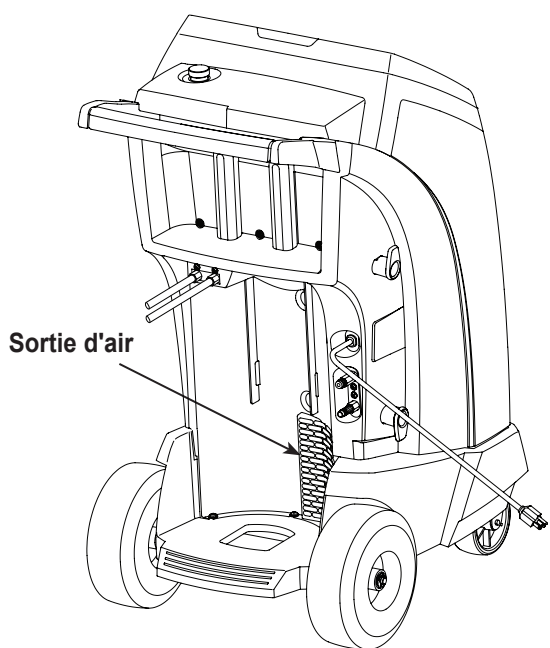


Figure 4



AVERTISSEMENT : Pour éviter toute blessure corporelle, seules des personnes qualifiées sont autorisées à effectuer les inspections et les réparations sur cette machine. Veuillez lire et respecter les consignes et avertissements du présent manuel, et porter les équipements de protection appropriés, notamment des lunettes et des gants.



Charger langue

Respectez les consignes suivantes pour ajouter ou mettre à jour une langue à partir d'une carte SD.

1. Choisissez **SÉLECTIONNER LANGUE** depuis le **MENU CONFIGURATION**.
2. Utilisez les touches fléchées pour faire défiler les rubriques jusqu'à **CHARGER NOUVELLE**. Sélectionnez ✓.
3. Insérez la carte SD contenant les données de langue. Reportez-vous à la Figure 5.

Remarque : L'accès à la fente pour carte SD peut nécessiter le retrait du déflecteur. Reportez-vous à la Figure 7 on page 23.

4. Suivez les invites pour sélectionner la langue à charger ou à mettre à jour. En cas de chargement d'une nouvelle langue, il sera nécessaire de sélectionner une langue à remplacer.

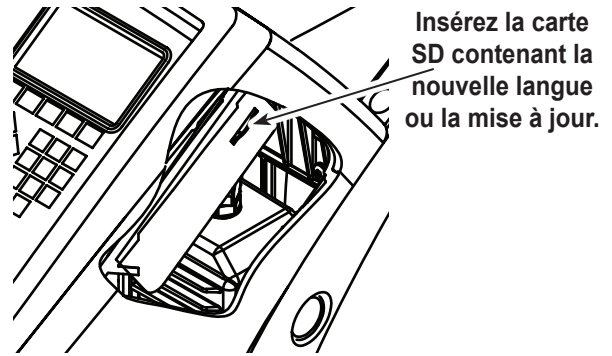


Figure 5

Rempl réserv

Cette rubrique du menu permet de transférer le réfrigérant d'un réservoir source vers la bouteille de récupération.

La capacité maximum de la bouteille de récupération est de 10 kg. Utilisez les touches fléchées pour déplacer le curseur; utilisez le clavier pour saisir une valeur.

Remarque : Ajoutez au moins 3,6 kg de réfrigérant afin de garantir une quantité suffisante de réfrigérant disponible pour la charge.

1. La machine affiche les champs relatifs à la contenance du réservoir, au réfrigérant qui peut être chargé et à la quantité de réfrigérant pouvant être récupéré (capacité de récupération) dans la bouteille de récupération. Saisissez la contenance du réservoir.
2. Installez l'adaptateur de réservoir (inclus) sur le réservoir source.
3. Raccordez le coupleur du flexible côté basse pression à l'adaptateur de réservoir.
4. Ouvrez la vanne du réservoir source, la vanne du coupleur côté basse pression et la vanne du panneau côté basse pression.
5. Positionnez le réservoir source de manière à ce que l'alimentation en réfrigérant liquide arrive à la connexion.
6. Sélectionnez ✓ pour démarrer le processus de remplissage du réservoir. La machine commence à remplir la bouteille de récupération. Ajoutez au moins 3,6 kg de réfrigérant afin de garantir une quantité suffisante de réfrigérant disponible pour la charge. Cette procédure demande 15 à 20 minutes.
7. La machine s'arrête lorsque la quantité prééglée de réfrigérant a été transférée dans la bouteille de récupération ou lorsque le réservoir source est vide. Suivez les messages qui s'affichent à l'écran.
8. Fermez la vanne du réservoir source.
9. Sélectionnez ✗ pour terminer la configuration initiale.

La machine est prête à l'emploi.

Remarques :

- *La balance n'a pas besoin d'être calibrée; elle est calibrée à l'usine.*
- *Après le remplissage du réservoir, la quantité indiquée sur l'écran ne sera pas identique à celle du niveau de remplissage programmé.*
- *La quantité affichée et disponible pour le chargement est inférieure d'environ 0,67 kg (1,4 lb) à la quantité totale de réfrigérant dans le réservoir.*
- *Pour assurer des performances optimales lors du remplissage du réservoir, vérifiez la bonne orientation du réservoir source. Certains réservoirs doivent être inversés pour approvisionner le liquide.*



AVERTISSEMENT : Pour éviter toute blessure corporelle lors de la manipulation du réfrigérant, veuillez lire et respecter les consignes et avertissements reportés dans ce manuel, et porter un équipement de protection, notamment des lunettes et des gants.

Capacité de charge : La quantité de réfrigérant dans la bouteille de récupération qui peut être chargée dans le système de climatisation du véhicule.

Capacité de récupération : La quantité de réfrigérant supplémentaire qui peut être récupérée dans la bouteille de récupération.

Maintenance

Maintenance du filtre

Le filtre a été conçu pour capter l'acide ainsi que les particules, et pour éliminer l'humidité du réfrigérant. Afin de répondre aux normes en matière d'élimination adéquate de l'humidité et des contaminants, il faut remplacer le filtre après 68 kg (150 lb) de réfrigérant filtré.

La machine émet un avertissement lorsque 57 kg (125 lb) de la capacité du filtre ont été utilisés; elle se bloque lorsque 68 kg (150 lb) de la capacité du filtre ont été atteints et cesse de fonctionner.

Vérification de la capacité de filtration restante

1. Sélectionnez **MAINTENANCE FILTRE** depuis le **MENU CONFIGURATION** ou lorsque la machine vous y invite. La machine affiche

Capacité filtre restante: XXX.XO kg
Remp filtr mtenant?

La machine affiche la capacité de filtration restante jusqu'au blocage de la machine.

2. Sélectionnez pour changer le filtre; sélectionnez pour reprendre l'utilisation de la machine.

⚠ AVERTISSEMENT : Les composants de la machine sont sous haute pression. Pour éviter toute blessure, ne remplacez le filtre que lorsque la machine vous y invite.



AVERTISSEMENT : Pour éviter toute blessure corporelle lors de la manipulation du réfrigérant, veuillez lire et respecter les consignes et avertissements reportés dans ce manuel, et porter un équipement de protection, notamment des lunettes et des gants.

Remplacement du filtre

1. Si vous avez sélectionné ✓ pour remplacer le filtre, la machine vous invite à saisir le code du filtre neuf.

Saisir n° nouv filtre

Servez-vous du clavier pour saisir le numéro de série reporté sur le filtre neuf, puis sélectionnez ✓ pour poursuivre.

Remarque : Si un « numéro de série erroné » s'affiche, le numéro de série a été saisi de manière incorrecte ou le filtre a déjà été utilisé sur cette machine.

2. La machine efface le numéro du filtre existant puis affiche

Num série accepté.

Couper alim et rempli filtre.

Éteignez la machine. Enlevez la bouteille de vidange d'huile. Enlevez les vis de fixation du déflecteur. Reportez-vous à la Figure 6.

3. Accrochez le déflecteur à l'arrière de la machine comme indiqué à la Figure 7.
4. Déposez le filtre en le tournant dans le sens antihoraire (en le regardant par dessous).
5. Examinez le nouveau filtre. Vérifiez que les deux joints toriques sont lubrifiés et correctement placés dans les rainures.
6. Installez le filtre neuf en le vissant en place dans le sens horaire. Veillez à ce que le filtre est positionné correctement comme indiqué à la Figure 7. Serrez le filtre à 20 Nm.
7. Mettez la machine sous tension. L'opération Vidange d'huile de la pompe à vide commence et l'écran affiche

Chauf huile pr vidge: XX:XX

Consultez la section Change Vacuum Pump Oil pour obtenir plus d'informations.

La machine commence alors l'opération Contrôle des fuites. Consultez la section Leak Check pour obtenir plus d'informations.

Mise en garde : Pour éviter d'endommager l'équipement, utilisez exclusivement des filtres d'origine Robinair n° 34724 dans cette machine. Tous les essais de rendement et les déclarations sont basés sur l'utilisation de ce filtre spécifique.

Enlevez les vis de fixation du déflecteur.

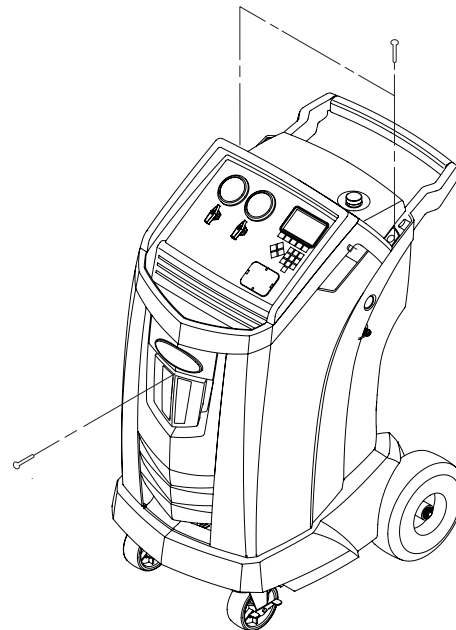


Figure 6

Accrochez le déflecteur ici

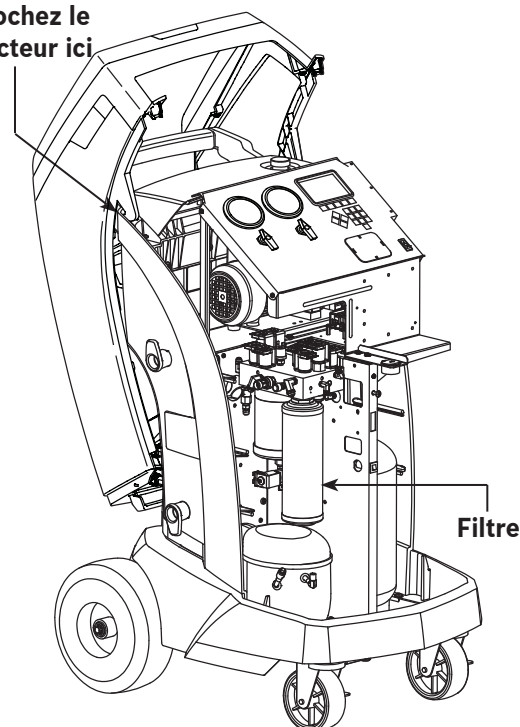


Figure 7

Maintenance

Contr. calibrage

Cette fonction permet de s'assurer que la balance interne de la machine est toujours bien calibrée. Pendant ce test, utilisez exclusivement le poids de calibrage fourni avec la machine.

1. Reportez-vous à la Figure 8, et vérifiez que l'aimant en bas de la machine est propre.
2. Sélectionnez **CONTRÔLE CALIBRAGE** depuis le **MENU CONFIGURATION**. La machine affiche

Placer poids de calibrage sur l'aimant situé en bas de la station.

3. Fixez le poids de calibrage sur l'aimant situé en bas de la machine. Sélectionnez ✓ pour poursuivre.
4. La machine affiche

Enlever un petit poids de calibrage de la balance.

Enlevez le poids de calibrage de l'aimant. Sélectionnez ✓ pour poursuivre.

- Si l'écran affiche

Vérif étalon réuss

la balance est en calibrage. Sélectionnez ►► pour revenir au menu Configuration.

- Si l'écran affiche

Échec vérif étalon. Rééss?

la balance est hors calibrage. Pour ressayer, sélectionnez ↺. Si le calibrage échoue de nouveau, contactez un centre d'assistance agréé Robinair.

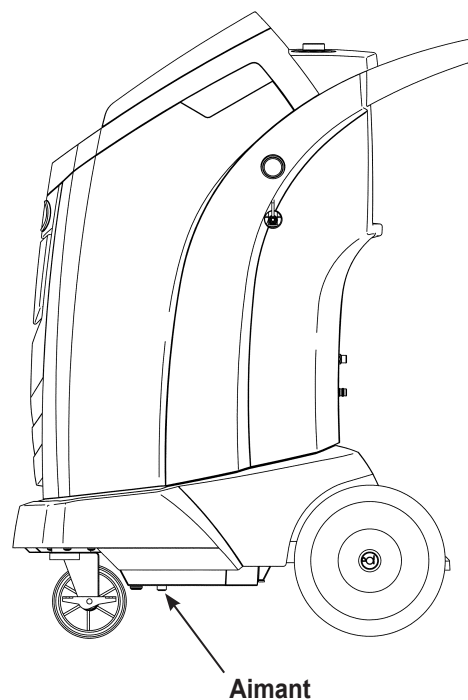


Figure 8

Vidange d'huile de la pompe à vide

1. Sélectionnez **MAINTENANCE POMPE** depuis le **MENU CONFIGURATION** ou à l'invite de la machine. L'écran affiche

Tps restant huile:
XXX:XX (hhh:mm)
Chng hl mtnant?

2. Sélectionnez ✓ pour vidanger l'huile de la pompe à vide. Si la machine affiche

Warming oil for drain XX:XX laissez la pompe à vide de fonctionner pendant deux minutes pour chauffer l'huile. Si l'huile est déjà chaude, l'écran affiche

Vidger huil usée pompe et rempl par 150 ml huil neu. Retr bouchon rempl pr accél vid

3. Ouvrez **lentement** le bouchon de remplissage d'huile pour vérifier qu'il n'y a pas de pression dans la machine. Enlevez le bouchon avec précaution. Reportez-vous à la Figure 9.
4. Enlevez le bouchon de vidange d'huile et vidangez l'huile dans un récipient de recueil adapté. Remettez le bouchon en place et resserrez-le à fond. Sélectionnez ►► pour poursuivre.
5. La machine affiche

Rempl pomp à vid milieu jauge.
Repl bouchon rempliss.

Ajoutez lentement de l'huile dans la pompe à vide par l'orifice de remplissage jusqu'à ce que l'huile arrive au milieu de l'indicateur de niveau. Remettez le bouchon sur l'orifice de remplissage d'huile puis resserrez-le à fond. Sélectionnez ►► pour revenir au **MENU CONFIGURATION**.

Remarques :

- Pour assurer un niveau d'huile adéquat, veillez à ce que la machine est posée sur une surface plane.
- L'huile pour pompe à vide Robinair est disponible en plusieurs formats. Reportez-vous à la section « Pièces de rechange ».

⚠ AVERTISSEMENT : Pour éviter toute blessure, N'utilisez JAMAIS la machine sans avoir remis en place le bouchon sur l'orifice de remplissage d'huile du fait que la pompe à vide est sous pression dans des conditions normales de fonctionnement.

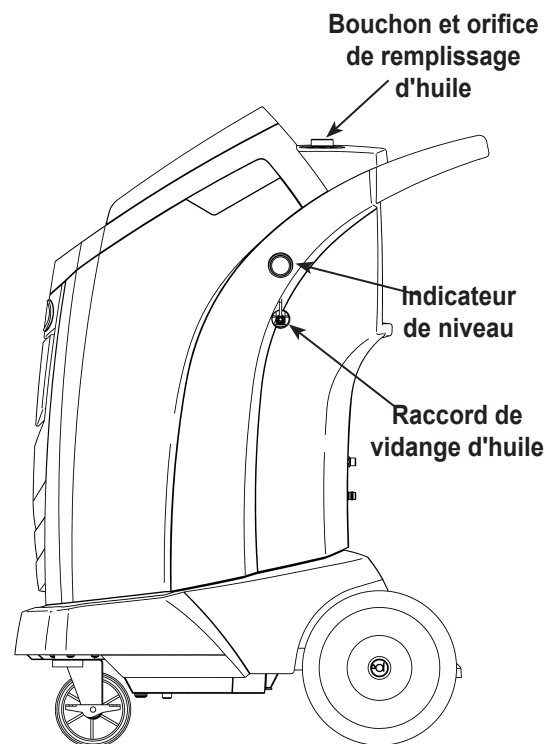


Figure 9

MISE EN GARDE : L'utilisateur est responsable de la surveillance du niveau et de la clarté de l'huile de la pompe à vide. Si l'huile contaminée n'est pas vidangée de la pompe à vide puis remplacée par de l'huile propre, la pompe sera endommagée irrémédiablement.

Maintenance

Contrôle des fuites

Un essai d'étanchéité peut être effectué à tout moment sur la station. Pendant ce test, les composants contenant du réfrigérant sont pressurisés. Un détecteur de fuites électronique est requis.

Remarque : La fonction Contrôle des fuites sert à contrôler les fuites sur la machine Robinair et ses composants seulement. Cette procédure ne sert pas au contrôle des fuites du système de climatisation du véhicule.

1. Sélectionnez **CONTRÔLE DES FUITES** depuis le **MENU CONFIGURATION**. La machine affiche

Brancher tuyaux sur ports de stockage et ouvrir soupapes coupleurs.

2. Branchez les coupleurs des flexibles de service sur les orifices de stockage à l'arrière de la machine. Ouvrez les coupleurs en tournant les colliers dans le sens horaire. Tournez les vannes du panneau vers la position ouverte.
3. Enlevez et stockez le déflecteur comme indiqué à la Figure 6 et la Figure 7.
4. Sélectionnez ✓ pour débiter. La machine effectue une récupération automatique et affiche

Récup en cours

La machine effectue un test à vide de 30 secondes et affiche

Vérif. étanch vid

En cas d'échec du test à vide, la machine invite l'utilisateur à vérifier la présence de fuites.

Lorsque la machine a réussi le test à vide, une pression contrôlée est appliquée. La machine affiche

Utilisez un détecteur électronique de fuites pour rechercher des fuites dans l'appareil.

5. Vérifiez les composants internes et externes de la machine à l'aide du détecteur de fuites, plus spécifiquement dans les zones à risques telles que les flexibles et les raccords.
6. Sélectionnez ✓ pour poursuivre. La machine effectue une récupération automatique pour éliminer le réfrigérant utilisé pour l'essai d'étanchéité et le processus est terminé.

ATTENTION : Si une fuite est détectée, contactez un centre de service agréé Robinair pour faire faire une réparation.



AVERTISSEMENT : Pour éviter toute blessure corporelle lors de la manipulation du réfrigérant, veuillez lire et respecter les consignes et avertissements reportés dans ce manuel, et porter un équipement de protection, notamment des lunettes et des gants.

AVERTISSEMENT : Si la machine doit être transportée jusqu'à un centre d'assistance local Robinair, respectez les réglementations locales applicables au transport d'équipements contenant du R-134a afin d'éviter tout risque de blessure.

Modifier l'en-tête de l'impression

Pour modifier le texte qui s'affiche sur cet écran :

1. Sélectionnez **MODIFIER L'EN-TÊTE DE L'IMPRESSION** depuis le **MENU CONFIGURATION**.
2. Le curseur se trouve dans le premier champ. Pour actualiser le texte, utilisez les touches fléchées et l'interface de frappe sur le clavier numérique :
 - **LA FLÈCHE VERS LA GAUCHE** et **X** servent de touche de retour en arrière.
 - **LA FLÈCHE VERS LA DROITE** déplace le curseur vers la droite.
 - La touche **ZÉRO (0)** sert de barre d'espace.
 - Les touches fléchées vers le **HAUT** et vers le **BAS** permettent de naviguer entre les différentes lignes.
3. Appuyez **✓** sur F1 pour enregistrer les modifications et revenir au menu Configuration; appuyez **X** sur F2 pour revenir au titre précédent et quitter le menu Configuration.

Remplacer le papier d'imprimante

Pour installer un rouleau de papier neuf dans l'imprimante :

1. Enlevez le couvercle de l'imprimante en tirant sur la languette, comme illustré sur la Figure 10.
2. Enlevez le centre du rouleau de papier.
3. Installez le rouleau de papier neuf en orientant la fin du papier vers le haut du rouleau.
4. Positionnez le couvercle sur l'imprimante en plaçant le bord d'attaque du papier par-dessus le rouleau.

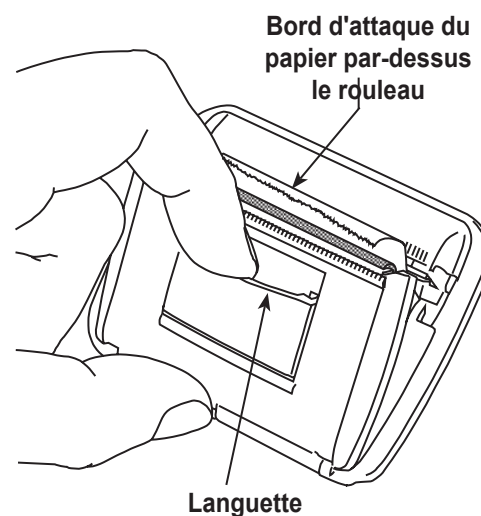


Figure 10

Installation d'une imprimante

1. **ÉTEIGNEZ** et coupez l'alimentation de la machine.
 2. Enlevez la bouteille de vidange d'huile.
 3. Enlevez les vis de fixation du déflecteur. Reportez-vous à la Figure 6.
 4. Accrochez le déflecteur à l'arrière de la machine comme indiqué à la Figure 7.
 5. Enlevez les deux vis situées dans les angles supérieurs du panneau de commande pour que le panneau de commande puisse s'incliner vers l'avant.
 6. Enlevez le capuchon de l'emplacement prédécoupé de l'imprimante en appuyant sur les languettes du capuchon depuis l'arrière du panneau de commande et en poussant sur le capuchon pour l'extraire du panneau.
 7. Enlevez les deux bras de fixation de l'imprimante en insérant la pointe d'un tournevis à tête plate sous chaque languette, à proximité de l'arrière de son bras de blocage. Exercez une pression vers l'extérieur sur la languette tout en écartant l'ensemble du bras de l'imprimante.
 8. Placez l'imprimante dans la zone prédécoupée du panneau de commande. Appuyez sur la surface de l'imprimante qui affleure le panneau, en l'orientant de manière à ce que le papier sorte par la partie supérieure de l'imprimante, comme illustré sur la Figure 10.
 9. Remettez en place les bras de blocage de l'imprimante par l'intérieur du panneau de commande. Poussez-les vers l'avant jusqu'à ce qu'ils soient bien en contact avec la surface interne du panneau de commande.
 10. À l'aide du faisceau de câblage inclus avec l'imprimante, branchez-vous au panneau de contrôle de la manière illustrée à la Figure 11. Les fils sont étiquetés avec les étiquettes respectives pour le connecteur.
 11. Branchez les deux connecteurs libres sur les connecteurs appropriés à l'arrière de l'imprimante.
 12. Faites coulisser le panneau de commande pour le remettre à sa place et fixez-le à l'aide des deux vis enlevées à l'étape 5.
 13. Remontez le déflecteur sur la machine et resserrez les vis enlevées à l'étape 3.
 14. Réinstallez la bouteille de vidange d'huile.
- L'imprimante est désormais prête à l'emploi.

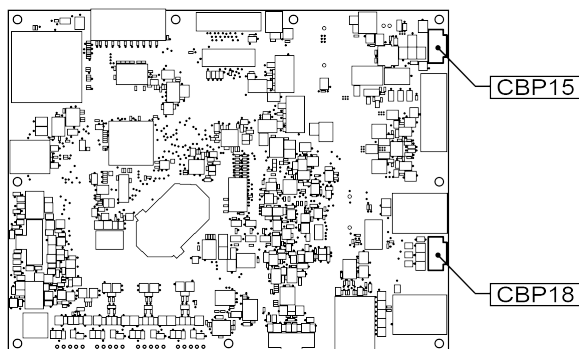


Figure 11

A/C Service Function (Fonction d'entretien du système de climatisation)

Pièces de rechange

Composant	Pièce de rechange n°
Poids d'étalonnage	16214
Filtre	34724
Bouteille de vidange d'huile	19100
Imprimante	30038
Papier d'imprimante (3 rouleaux)	34214
Coupleur de service LP	18190A
Coupleur de service HP	18191A
Jeu de coupleurs de service (coupleurs côté haut [rouge] et côté bas [bleu])	18192
Jeu de flexible sans coupleurs (côté haut [rouge] et côté bas [bleu])	71789
Flexible de service sans coupleur (côté bas, bleu)	70020
Flexible de service sans coupleur (côté haut, rouge)	70021
Adaptateur de remplissage du réservoir	16301
Injecteur d'huile (PAG)	18480
Injecteur d'huile (POE)	18490
Huile de pompe à vide (pinte)	13119
Huile de pompe à vide (quart)	13203
Huile de pompe à vide (gallon)	13204
Pare-poussière en vinyle (option)	17499



AVERTISSEMENT : pour éviter toute blessure, utilisez exclusivement les pièces de rechange qui figurent dans cette liste. Les articles indiqués dans cette liste de pièces de rechange ont été scrupuleusement testés et sélectionnés par Robinair.

Glossaire

Système de climatisation : le système de climatisation du véhicule faisant l'objet de la révision.

Évacuation : l'humidité et autres gaz non-condensables sont éliminés d'un système de climatisation par une pompe à vide.



Cuve de stockage interne (CSI) : cuve de stockage de réfrigérant réutilisable conçue spécialement pour cette machine ; capacité : 10 kg (22 lb.).





Machine : Modèle numéro 34288NI.

Récupération/Recyclage : le réfrigérant est récupéré d'un système de climatisation, filtré et stocké dans la cuve de récupération.

Réfrigérant : R-134a.

Dépannage

Affichage	Cause	Solution
ÉCHEC VÉRIF ÉTALON	La balance interne est hors calibrage.	Sélectionnez  pour essayer de nouveau le contrôle de calibrage. Si le calibrage échoue de nouveau, quittez le test en cours et contactez un centre d'entretien agréé Robinair pour faire réparer la station.
CHRG BLOQ!	Le réfrigérant est bloqué dans la bouteille de récupération ou la machine.	Vérifiez les branchements et la position des vannes.
BD INDISPO	La machine est expédiée sans base de données.	Contactez un centre d'entretien agréé Robinair pour de plus amples informations.
SURPDS RÉSERV	Déclenchement du circuit de sécurité de trop-plein. La machine est bloquée parce qu'il y a trop de réfrigérant dans la bouteille de récupération.	Contactez un centre d'entretien agréé Robinair pour de plus amples informations.
CAPACITÉ DU FILTRE ÉPUISÉE. FILTRE À REMPLACER FILTRÉ : XXX.XYY REMP FILTR MTNANT?	Depuis le dernier remplacement du filtre, 68 kg (150 lb) ou plus de réfrigérant ont été récupérés.	Reportez-vous à la section « Entretien du filtre » de ce manuel pour de plus amples informations sur le remplacement du filtre.
NUMÉRO SÉRIE FILTRE DÉJÀ ÉTÉ UTILISÉ. RESAISIR OU QUITTER?	Le numéro de série saisi dans la machine n'est pas correct.	Le filtre a déjà été utilisé sur cette machine. Commandez un filtre neuf Robinair n° 34724.
HP RÉSERVOIR	La machine est bloquée parce que la pression dans la cuve de stockage interne est trop haute suite, éventuellement, à une température trop élevée du réservoir.	Laissez la machine refroidir avant d'effectuer un entretien supplémentaire du système de climatisation. Si le problème persiste, contactez un centre d'entretien agréé Robinair pour de plus amples informations.
PRESS ENTRÉE TP FORT PR VID	Avant que la machine commence à évacuer le système de climatisation, elle vérifie si la pression dans le système est susceptible d'endommager la pompe à vide. Dans ce cas, la pression du système est supérieure à 0,62 bar (9 lb/po ²).	Sélectionnez  . Consultez la section « Récupération » de ce manuel pour récupérer le réfrigérant avant de poursuivre.

Affichage	Cause	Solution
QUANTITÉ RÉFRIG INSUFFISANTE PR CHARGE. SÉLECT : XX,XXYY DISPO : XX,XXYY	Après avoir saisi le poids désiré, si le processus de charge laisse moins de 0,67 kg (1,4 lb) de réfrigérant dans la cuve de récupération, la fonction de charge ne débutera pas.	Reportez-vous à « Remplissage du réservoir » dans la section Maintenance de ce manuel.
CODE INVALIDE	Le code d'activation saisi dans la machine n'est pas correct.	Vérifiez que le code d'activation a été saisi exactement comme vous l'avez reçu. Des lettres majuscules sont nécessaires.
NUM SÉRIE INVALIDE	Le numéro de série saisi dans la machine n'est pas correct.	Vérifiez que le numéro de série saisi correspond au numéro de série sur le filtre. Vérifiez que le filtre n'a pas été utilisé au préalable sur la machine.
0 PRESS ORIF ASPI, VÉRIF RACCORD RÉCUP QD MÊM?	La pression du système est inférieure à 0,62 bar (9 lb/po ²).	Vérifiez que les flexibles côté haute pression (rouge) et côté basse pression (bleu) sont branchés et que les vannes du panneau et du coupleur sont ouvertes. Sélectionnez  pour RÉCUPÉRER; sélectionnez  pour contourner la récupération et pour passer au VIDE.
VDNG HUIL STOP	Les conditions internes de la machine ont entraîné un délai excessif du processus de vidange d'huile.	Sélectionnez  pour essayer de nouveau; sélectionnez  pour sortir. Si la nouvelle tentative ne résout pas le problème et si la cuve contient au moins 0,67 kg (1,4 lb) de réfrigérant, communiquez avec un centre d'entretien Robinair agréé.
PRESS ACCU HORS LIMITES	Le transducteur de pression de l'accumulateur indique une pression à l'extérieur de la plage normale de fonctionnement.	Quittez le test en cours et contactez un centre d'entretien agréé Robinair pour de plus amples informations.
PRESS CSI HORS LIMITES	Le transducteur de pression de la cuve de stockage interne indique une pression à l'extérieur de la plage normale de fonctionnement.	Quittez le test en cours et contactez un centre d'entretien agréé Robinair pour de plus amples informations.

Dépannage

Affichage	Cause	Solution
TP CSI HORS LIMITES	Le capteur de température de la cuve de stockage interne indique une température à l'extérieur de la plage normale de fonctionnement.	<i>Quittez le test en cours et contactez un centre d'entretien agréé Robinair pour de plus amples informations.</i>
ÉCHEC COMM CARTE ALIM	Erreur de communication entre les cartes d'alimentation de la machine.	<i>Cycle de puissance. Si le problème persiste, contactez un centre d'entretien agréé Robinair pour de plus amples informations.</i>
RÉS SOURCE VID	Le réfrigérant ne peut être transféré vers la cuve de stockage interne.	<i>Si toutes les connexions et les positions de la soupape ont été vérifiées, quittez le test en cours et remplacez le réservoir source.</i>
RÉS PLEIN. ENLEVER DU RÉFRIGÉR AVT CONTINUER	La cuve de stockage interne est trop pleine pour récupérer du réfrigérant supplémentaire.	<i>Effectuez une procédure de charge pour enlever du réfrigérant de la cuve de récupération avant d'essayer de faire une nouvelle récupération.</i>
PÉRIODE ESSAI EXPIRÉE, ACTIVER UNITÉ POUR POURSUIVRE. ACTIVER MAINTENANT?	Si la machine n'est pas enregistrée et activée dans les 30 jours suivant le démarrage initial, elle se bloquera et ne fonctionnera plus.	<i>Sélectionnez ✓ et consultez la section Activation de la station de ce manuel pour enregistrer la machine.</i>

Stockage et transport de l'équipement

Stockage

Ne laissez jamais la machine sous tension si une utilisation immédiate n'est pas prévue.

1. Débranchez la machine du réseau d'alimentation.
2. Faites passer deux fois les tuyaux de service autour de la poignée et attachez-les aux orifices de stockage. Reportez-vous à la Figure 12.
3. Rangez la machine dans un lieu sec, stable, à l'écart de flammes et de surfaces chaudes. La température de la zone de stockage doit être comprise entre -18 °C et 60 °C (0 °F et 140 °F).
4. Bloquez les roues avant.

Transport de l'équipement

 **AVERTISSEMENT** : Si la machine doit être transportée jusqu'à un centre d'assistance Robinair, respectez les réglementations locales applicables au transport d'équipements contenant du R-134a afin d'éviter tout risque de blessure.

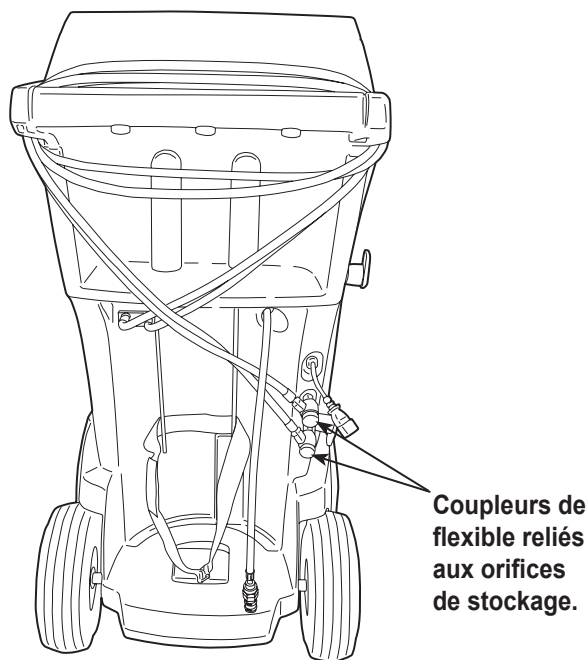


Figure 12

Mise au rebut de l'équipement



À la fin de sa durée de vie, mettez au rebut la station Robinair fonctionnant au R-134a conformément à la réglementation nationale en vigueur.

- L'administration publique et les fabricants d'équipements électriques/électroniques (EEE) facilitent les processus de réutilisation et de récupération des déchets d'équipements électriques/électroniques par l'organisation de collectes et de programmes de planification appropriés.
- Ne mettez pas cet équipement au rebut avec les ordures ménagères. Faites en sorte qu'il soit recueilli séparément. Toute mise au rebut non autorisée d'équipements électriques/électroniques usagés est punie légalement par des sanctions appropriées.
- La réutilisation et le recyclage correct des équipements électriques et électroniques (EEE) sont nécessaires à la protection de l'environnement et au bien-être de l'humanité.

Mise au rebut des matériaux recyclés

Il incombe à l'utilisateur de déterminer si un matériau constitue un déchet dangereux au moment de le mettre au rebut. L'utilisateur doit se conformer à l'ensemble des lois et réglementations en vigueur.

1. Remettez le réfrigérant récupéré des systèmes de climatisation aux fournisseurs de gaz pour qu'ils le recyclent ou le mettent au rebut.
2. Remettez les lubrifiants extraits des systèmes de climatisation aux centres de collecte d'huile usagée.
3. Passez en revue les lois en vigueur dans votre région pour déterminer les procédures de mise au rebut correctes de l'huile de la pompe.

Mise au rebut de la machine

1. Détachez et éventez le gaz du circuit de la machine. Déchargez entièrement le réservoir de réfrigérant conformément à la réglementation nationale en vigueur.
2. Remettez la machine dans un centre d'élimination approprié.

Mise au rebut des batteries



À la fin de leur durée de vie, mettez les batteries au rebut conformément à la réglementation nationale en vigueur. Les batteries doivent être recyclées ou mises au rebut correctement. Ne jetez pas les batteries avec les ordures ménagères.



AVERTISSEMENT : Pour éviter toute blessure, ne jetez pas les batteries dans des flammes nues.

Notes relatives à la licence du logiciel

NOTES RELATIVES À LA LICENCE DU LOGICIEL BOSCH AUTOMOTIVE SERVICE SOLUTIONS

Copyright © 2014 Robert Bosch GmbH. Tous droits réservés.

Bosch Automotive Service Solutions
28635 Mound Road
Warren
MI 48092
États-Unis

Numéros de téléphone

États-Unis + 1 800-533-6127
EMEA + 49 (0) 6182 959-225

Ce logiciel Bosch Automotive Service Solutions est conforme à la licence du logiciel présentée au moment de l'activation du produit.

Tous les autres noms de produits ou de services appartiennent à leurs propriétaires respectifs.

Les marques commerciales déposées appartiennent à leurs sociétés respectives et sont approuvées par la présente.

Les notes suivantes font partie de la licence du logiciel Bosch Automotive Service Solutions :

1. Ce produit contient des bibliothèques standards IAR. Le Contrat de licence pour le logiciel IAR est présenté ci-après et disponible à l'adresse http://www.iar.com/Global/Products/Software_licenses/SLA_February_2013.pdf.

La bibliothèque standard IAR comprend un logiciel tiers tel que déclaré dans le document sur les licences logicielles tierces présenté ci-dessous et accessible à l'adresse

http://www.iar.com/Global/Products/Software_licenses/3rdpartyLicenses.html

2. Ce produit comprend LibTomCrypt, une boîte à outils cryptographique assez complète, modulaire et portable, qui fournit aux développeurs un grand éventail de chiffrements par blocs connus et publiés, des fonctions de hachage à sens unique, des modes d'enchaînement des blocs, des générateurs de chiffres pseudo-aléatoires, des algorithmes à clé publique et une multitude d'autres routines. <http://www.libtom.org>. LibTomCrypt relève du domaine public. Comme devrait l'être tout logiciel de qualité. Tom St Denis
3. Ce produit comprend le logiciel Freescale en tant que partie du paquet de support de plateforme (Board Support Package ou BSP) du microcontrôleur Freescale. Reportez-vous au Contrat de licence de Freescale Semiconductor pour les conditions d'utilisation présentées ci-dessous et accessibles à l'adresse https://www.freescale.com/webapp/sps/download/license.jsp?colCode=DL-MQX-CX&prodCode=MQX&appType=file2&location=null&DOWNLOAD_ID=null&fsrch=1&sr=1&pageNum=1&Parent_nodeId=&Parent_pageType

Contrat de licence logicielle IAR

Concernant les produits : IAR Embedded Workbench® et visualSTATE® de IAR Systems AB

PRÉAMBULE

CE CONTRAT DE LICENCE (« LE CONTRAT ») S'APPLIQUE AUX PRODUITS SOUS LICENCE QUI SONT FOURNIS À L'UTILISATEUR (LE « TITULAIRE DE LA LICENCE ») PAR IAR SYSTEMS AB, Y COMPRIS SES FILIALES (« IAR SYSTEMS ») OU SES DISTRIBUTEURS (« DISTRIBUTEURS IAR »).

La confirmation de commande de IAR Systems, ou si applicable, le Contrat entre IAR Systems et le Titulaire de la licence, précise, mis à part le produit sous licence et les frais de licence (qui seront aussi indiqués sur la facture) si a) si la licence en question est une licence fixe ou une licence pour utilisateurs multiples, b) en cas de licence pour des utilisateurs multiples, celle-ci sera fournie avec le nombre autorisé d'utilisateurs en simultané, c) si la licence inclut un abonnement d'entretien et de mise à jour limité dans le temps et dans ce cas, la date limite d'un tel service. Toute ouverture de progiciel dans lequel ces termes ont été précisés ou mentionnés, et toute utilisation du logiciel IAR Systems sont soumises à ces conditions générales.

VOUS, EN TANT QU'UTILISATEUR DES PRODUITS SOUS LICENCE MENTIONNÉS CI-DESSUS AINSI QUE SUR LA FACTURE, LIEZ LA SOCIÉTÉ OU ORGANISATION ÉGALEMENT MENTIONNÉE SUR LA FACTURE DE CE CONTRAT, EN OUVRANT UN PROGICIEL OU EN INSTALLANT UN LOGICIEL DANS LESQUELS CET ACCORD A ÉTÉ PRÉCISÉ OU MENTIONNÉ. SI VOUS N'ÊTES PAS D'ACCORD AVEC LES CONDITIONS MENTIONNÉES DANS LE PRÉSENT DOCUMENT, OU SI VOUS N'AVEZ PAS LE POUVOIR DE LIER VOTRE SOCIÉTÉ OU ORGANISATION À CES CONDITIONS, VOUS DEVEZ IMMÉDIATEMENT COMMUNIQUER AVEC IAR SYSTEMS ET NE POUVEZ NI INSTALLER DE LOGICIEL NI UTILISER LES PRODUITS QUELS QU'ILS SOIENT.

1. DÉFINITIONS

Les termes suivants ont la signification qui leur est donnée ci-dessous chaque fois qu'ils sont utilisés dans ce Contrat :

1.1 « **Logiciel exécutable** » est une copie de la version de code exécutable du ou des programme(s) du logiciel inclus dans le progiciel ci-joint ou autrement spécifié dans ce Contrat ou cette facture (y compris tout module d'exécution et d'édition de liens), avec des modèles et autres instructions, et toutes mises à jour logicielles, révisions, ainsi que tous modules et modèles additionnels (si disponibles) que le Titulaire de la licence peut recevoir de temps en temps de la part de IAR Systems aux termes des présentes.

1.2 « **Code source du logiciel** » s'entend au sens de la section 3.7.

1.3 « **Logiciel** » est un terme collectif pour logiciel exécutable et code source du logiciel, comme définis ci-dessus.

1.4 « **Documentation** » représente un exemplaire de la documentation, telle que fournie par IAR Systems avec le logiciel à l'usage du Titulaire de la licence.

1.5 « **Produit** » représente le logiciel et la documentation que détient le Titulaire de la licence sous les conditions de ce Contrat.

1.6 « **Facture** » est la facture de IAR Systems ou du distributeur IAR destinée au titulaire de la licence pour la licence du produit attribuée aux termes des présentes.

1.7 « **Licence PC fixe** » s'entend au sens de la section 3.2.

1.8 « **Licence mobile** » s'entend au sens de la section 3.3.

1.9 « **Licence pour utilisateurs multiples** » s'entend au sens de la section 3.4.

1.10 « **Licence réseau** » s'entend au sens de la section 3.5.

1.11 « **Licence de réseau mondial** » s'entend au sens de la section 3.6.

1.12 « **Utilisateurs actuels** » s'entendent au sens de la section 3.7.

1.13 « **Licence de réseau temporaire** » s'entend au sens de la section 3.8.

1.14 « **Licence d'évaluation** » s'entend au sens de la section 3.12.

1.15 « **Emplacement** » représente les locaux physiques du Titulaire de la licence dans à l'intérieur d'une ville.

1.16 « **Architecture cible** » signifie la famille ou le groupe d'appareils avec microprocesseurs ou microcontrôleurs intégrés appartenant à une architecture de processeur comme définie par son jeu d'instructions et comme spécifiée sur la facture.

1.17 « **Abonnement de maintenance et de mise à jour** » s'entend au sens des services tels qu'ils sont définis dans la section 12.

2. DURÉE DU CONTRAT

2.1 Ce Contrat entre en vigueur au plus tard à la réception du logiciel par le Titulaire de la licence et demeure en vigueur pour une durée indéfinie, sous réserve des modalités et conditions énoncées ci-dessous – en particulier le droit dont dispose IAR Systems pour résilier le Contrat en cas de manquement du Titulaire de la licence. L'enregistrement du Titulaire de la licence en tant qu'utilisateur légitime des produits sous licence est effectué conformément aux instructions applicables de IAR Systems.

2.2 Pour écarter toute confusion : pour les logiciels livrés avec une clé de licence temporaire (appelée clé de démarrage rapide pour certains produits) qui permet une utilisation à durée limitée, les conditions du Contrat prennent effet, y compris, mais sans s'y limiter, aux conditions de paiement et aux restrictions d'usage dès la réception du logiciel par le Titulaire de la licence, que l'enregistrement ait été effectué ou non. (Les licences d'évaluation, sans obligation de payer des frais de licence, sont disponibles suivant les conditions fournies séparément par IAR Systems.)

3. PROPRIÉTÉ ET CONCESSION DE LICENCE

3.1 IAR Systems détient les droits d'auteur, les secrets commerciaux et tout autre droit de propriété intellectuelle qui subsiste en rapport au produit sous licence et toutes les copies de celui-ci. Aucun titre ou autres droits en rapport au produit sous licence (autre que les droits attribués par la présente) ne doivent revenir au Titulaire de la licence.

LE PRODUIT EST SOUS LICENCE ET NON VENDU AU TITULAIRE DE LA LICENCE POUR UNE UTILISATION UNIQUEMENT

Contrat de licence logicielle IAR

SOUS LES CONDITIONS DE CE CONTRAT. LE TITULAIRE DE LA LICENCE RECONNAIT QUE LE PRODUIT SE COMPOSE DE PRODUITS EXCLUSIFS NON PUBLIÉS DE IAR SYSTEMS, PROTÉGÉS PAR LE DROIT D'AUTEUR INTERNATIONAL ET PAR LES LOIS SUR LES SECRETS COMMERCIAUX.

3.2 Licence PC fixe : Dans la mesure où la licence est attribuée à un PC fixe, les conditions stipulées dans les sections 3.2.a et 3.2.b doivent être appliquées.

Une licence fixe est une licence mono-utilisateur liée à l'ordinateur sur lequel le logiciel est installé.

3.2.a Sous réserve des termes et des conditions du présent Contrat, IAR Systems concède une licence fixe personnelle, non transférable et non exclusive au Titulaire de la licence pour l'utilisation du logiciel. Le nombre d'utilisateurs autorisés du logiciel sous la licence fixe, s'il y en a plus d'un, est stipulé sur la facture ou sur tout autre document écrit de IAR Systems.

3.2.b La licence fixe ne peut être utilisée par le Titulaire de la licence que sur un seul ordinateur autonome (de bureau ou portable), désigné par son adresse IP ou d'autres moyens d'identification. Un changement vers un autre ordinateur personnel peut être autorisé avec transfert de la licence par le biais d'un programme de transfert fourni par IAR Systems dans le cadre du système de gestion des licences. Le logiciel ne peut pas être consulté par les utilisateurs d'autres unités informatiques que celle désignée par le présent paragraphe, que ce soit à travers un modem, Internet, ou tout autre réseau ou accès à distance.

3.3 Licence mobile : Dans la mesure où la licence attribuée est une licence mobile, les conditions stipulées dans les sections 3.3.a et 3.3.b doivent être appliquées.

Une licence mobile est fournie avec une clé électronique (dongle). Une clé électronique est un dispositif qui se branche sur l'un des ports externes de l'ordinateur et qui permet au Titulaire de la licence de transférer la licence vers un autre ordinateur. Une clé électronique fait partie du progiciel seulement si elle est commandée explicitement.

3.3.a Sous réserve des termes et des conditions du présent Contrat, IAR Systems concède une licence personnelle mobile non transférable et non exclusive au Titulaire de la licence pour l'utilisation du logiciel. Le nombre d'utilisateurs autorisés du logiciel sous la licence mobile, s'il y en a plus d'un, est stipulé sur la facture ou sur tout autre document écrit de IAR Systems.

3.3.b La licence mobile peut être utilisée par le Titulaire de la licence, pour un seul utilisateur, mais avec un droit de transfert de la licence de l'ordinateur désigné vers un autre ordinateur unique à l'aide d'une clé électronique. Le logiciel ne peut pas être consulté par les utilisateurs d'autres unités informatiques que celle désignée par le présent paragraphe, que ce soit à travers un modem, Internet, ou tout autre réseau ou accès à distance.

3.4 Licence à utilisateurs multiples : Dans la mesure où la licence attribuée est une licence à utilisateurs multiples, les conditions stipulées dans la section 3.4 doivent être appliquées.

Sous réserve des termes et des conditions du présent Contrat, IAR Systems concède une licence personnelle, non transférable et non exclusive à utilisateurs multiples au Titulaire de la licence pour l'utilisation du logiciel. Le nombre d'utilisateurs autorisés du logiciel sous la licence à plusieurs utilisateurs, s'il y en a plus d'un, est stipulé sur la facture ou sur tout autre document écrit de IAR Systems.

3.5 Une licence réseau est une licence à utilisateurs multiples située sur un serveur de licences désigné unique et utilisée par plusieurs utilisateurs sur un réseau et sur un seul site. La licence réseau est verrouillée à l'ordinateur sur lequel le logiciel du serveur de licences est utilisé ou à une clé électronique (dongle). L'utilisation d'une clé électronique permet de transférer la licence réseau vers un autre ordinateur serveur, en cas de défaillance du serveur. La licence réseau peut être utilisée sur tous les ordinateurs clients du réseau où le logiciel est installé. Cependant, la licence réseau est faite pour un nombre maximum d'utilisateurs simultanés.

3.6 Une **licence de réseau mondial** est une licence à plusieurs utilisateurs située sur un serveur de licences et utilisée par plusieurs utilisateurs sur un réseau accessible à partir de plusieurs sites dans le monde. La licence de réseau mondial est verrouillée à l'ordinateur sur lequel le logiciel du serveur de licences est utilisé ou à une clé électronique (dongle). L'utilisation d'une clé électronique permet de transférer la licence de réseau mondial vers un autre ordinateur serveur, en cas de défaillance du serveur. La licence de réseau mondial peut être utilisée sur tous les ordinateurs clients du réseau où le logiciel est installé. Cependant, la licence de réseau mondial est faite pour un nombre maximum d'utilisateurs simultanés.

3.7 Utilisateurs simultanés : Pour les produits comme les logiciels exécutables et sous licences réseau, la définition de la simultanéité est donnée par le logiciel du serveur de licences, qui calcule également le nombre d'utilisateurs actuels. Une session d'utilisateur d'un logiciel exécutable dure toujours 30 minutes au minimum et est supposée durer 30 minutes de plus après la dernière activation de la licence par le serveur de licences. Pour les produits contenant des codes sources du logiciel, le logiciel doit être considéré comme en utilisation (simultanée) sur un ordinateur lorsqu'il est chargé dans la mémoire temporaire (RAM) ou installé dans la mémoire permanente (p. ex. disque dur, CD-ROM, ou autre matériel de stockage) de cet ordinateur.

3.8 Licence de réseau temporaire : Pour les produits publiés en 2012 et au-delà qui comprennent un nouveau système de gestion de licences (LMS), une licence de réseau temporaire est attribuée. La licence de réseau temporaire permet d'utiliser une licence réseau sur un ordinateur personnel qui n'est pas connecté au réseau pour un maximum de 15 jours. La licence de réseau temporaire permet d'utiliser le produit à l'extérieur du site désigné.

3.9 Licence de code source : Si le Titulaire de la licence reçoit, aux termes des présentes, des modules de logiciel ou de composants en format de code source (« Code source du logiciel »), les conditions suivantes sont applicables à ce code source du logiciel, en plus de toutes les dispositions de ce Contrat :

Le Titulaire de la licence peut utiliser un tel code source du logiciel seulement conjointement avec le produit et le code source du logiciel ou tout autre produit dérivé de celui-ci. Le code source du logiciel ne peut être compilé et lié qu'avec des produits IAR Systems et seulement conformément aux dispositions relatives à une telle utilisation énoncées dans la

Contrat de licence logicielle IAR

documentation et/ou dans ce Contrat. Il est strictement interdit au Titulaire de la licence de faire toute autre utilisation du code source du logiciel. Toute violation de cette section 3.9 doit être considérée comme une violation substantielle du présent Contrat.

LE TITULAIRE DE LA LICENCE RECONNAÎT QUE LE CODE SOURCE DU LOGICIEL INTÈGRE DES RENSEIGNEMENTS PROTÉGÉS PAR LES DROITS D'AUTEUR ET DE PROPRIÉTÉ DE IAR SYSTEMS ET QUE LE FAIT DE RENDRE LE CODE SOURCE DU LOGICIEL ACCESSIBLE À D'AUTRES EN DEHORS DES LIMITES DE CE CONTRAT, SUIVANT LA NATURE DU CODE SOURCE, NUIT SÉVÈREMENT AUX DROITS DE PROPRIÉTÉ INTELLECTUELLE DE IAR SYSTEMS, ET ACCEPTE DE DÉDOMMAGER IAR SYSTEMS POUR TOUT DOMMAGE RÉSULTANT DE TELLE INFRACTION, QUI PEUT ÊTRE RAISONNABLEMENT CORROBORÉ PAR IAR.

Le Titulaire de la licence doit conserver et protéger le code source du logiciel comme si c'était son propre code source propriétaire, comme mentionné plus loin dans la section 5.

3.10 Si le produit, que le Titulaire de la licence reçoit aux termes des présentes, contient un logiciel tiers, l'utilisation d'un tel logiciel tiers peut être restreint à une architecture cible spécifique. Voir Section 11.2 ci-dessous.

3.11 Copies de sauvegarde : Le Titulaire de la licence est autorisé à faire des copies de sauvegarde du logiciel sous forme de code exécutable, à utiliser uniquement dans le cas où la copie fournie par IAR Systems ne fonctionne pas, est perdue, endommagée ou détruite. Le Titulaire de la licence garantit qu'il ne fera aucune autre copie du logiciel et qu'il ne donnera pas de permission, ni d'autorisation, ni d'assistance à d'autres personnes pour copier tout ou partie du logiciel sous quelque forme que ce soit sans avoir eu l'accord écrit préalable de IAR Systems. Le Titulaire de la licence ne peut avoir plus de copies que nécessaire pour un ensemble raisonnable de cycle de sauvegarde. Le Titulaire de la licence peut garder les copies de sauvegarde dans un coffre à la banque ou un autre endroit sûr qu'il utilise d'habitude pour ranger ses sauvegardes de programme informatique. Les droits du Titulaire de la licence en vertu de cette section ne doivent, en aucun cas, inclure des mesures qui affectent ou diminuent la fonction de protection des logiciels inclus dans le logiciel.

3.12 Une **licence d'évaluation** est uniquement destinée à des fins de test et d'évaluation. Toute autre utilisation dépassant le cadre de tests et d'évaluations est interdite. IAR Systems n'a aucune obligation de fournir une garantie et une assistance ou des services connexes. IAR SYSTEMS NE PEUT, EN AUCUN CAS, ÊTRE TENU RESPONSABLE DES DOMMAGES DIRECTS, INDIRECTS, ACCIDENTELS, SPÉCIAUX, CONSÉQUENTS, PUNITIFS, DÉLICTELS QUELS QU'ILS SOIENT, INCLUANT MAIS NE SE LIMITANT PAS AUX PROFITS PERDUS EN RAPPORT À OU PROVENANT DE L'UTILISATION OU DE LA PERFORMANCE DU LOGICIEL, DE DOCUMENTS D'AIDE OU DE LA FOURNITURE DE SERVICES, MÊME SI L'AUTRE PARTIE A ÉTÉ AVISÉE DE L'ÉVENTUALITÉ DE TELS DOMMAGES.

La section 11 du présent Contrat de licence logicielle peut aussi s'appliquer à une licence d'évaluation.

4. RESTRICTIONS RELATIVES À LA LICENCE

4.1 Le Titulaire de la licence ne peut pas supprimer, faire l'émulation, faire de l'ingénierie inverse, décompiler ou désassembler le logiciel exécutable. Il n'est pas permis au Titulaire de la licence de dériver le code source ou d'assemblage des documents fournis aux formats exécutables ou exploitables. Le Titulaire de la licence accepte que tous les renseignements sur le logiciel sont la propriété intellectuelle de valeur de IAR Systems et qu'en tant que tels, ils doivent être traités de manière confidentielle, comme décrit à l'article 5. Le Titulaire de la licence garantit qu'il ne vendra, n'autorisera, ne louera, ne prêtera, ne transmettra, ne distribuera pas en réseau, ne communiquera, ne distribuera ni ne transférera le logiciel de quelque manière que ce soit à une tierce personne, que ce soit d'une manière temporaire ou permanente, sauf sous les conditions stipulées dans ce Contrat. En outre, le Titulaire de la licence garantit qu'il n'utilisera ni ne permettra l'utilisation (y compris, sans limitation, en temps partagé ou en utilisation sur réseau) du logiciel au profit d'entités autres que le Titulaire de la licence; ou dans une entreprise de services informatiques, il ne fera pas de copies de la documentation sans autorisation; il ne fera pas de traductions verbales ou médiatiques de la documentation; il n'effectuera pas de transmissions de données de télécommunications du logiciel; il n'utilisera pas de passerelle à long terme sur les unités centrales sur lesquelles le logiciel est utilisé. Il est également expressément interdit au Titulaire de la licence d'adapter, modifier, réviser, améliorer, actualiser, ajouter de la valeur et créer des produits dérivés du logiciel exécutable à toutes fins, y compris la correction d'erreur ou tout autre type d'entretien.

4.2 Le Titulaire de la licence doit tenir des registres des utilisations qu'il fait du logiciel. Le Titulaire de la licence doit rendre ces notes disponibles à IAR Systems ou à une tierce partie neutre dans un délai raisonnable, comme convenu entre les parties. En cas de vérification par une tierce partie neutre, IAR Systems et le Titulaire de la licence doivent nommer mutuellement un vérificateur, en toute bonne foi. Si un tel Contrat ne peut être conclu dans les 60 jours après la notification de IAR Systems, les parties acceptent de donner à Business Software Alliance la responsabilité d'une telle vérification ou du choix du vérificateur. Le Titulaire de la licence permettra à IAR Systems ou à un tiers, selon le cas, d'avoir accès aux sauvegardes et systèmes informatiques du Titulaire de la licence et d'utiliser les outils de vérification de logiciels sur les systèmes du Titulaire de la licence pour vérifier que celui-ci utilise le logiciel conformément aux conditions applicables de la licence. À la demande du Titulaire de la licence, la partie qui exécute la vérification auprès du Titulaire de la licence doit signer un accord de non-divulgaration avec le Titulaire de la licence pour protéger la propriété du Titulaire de la licence et/ou ses renseignements confidentiels. Les renseignements obtenus et/ou communiqués à IAR Systems dans le cadre de la vérification, comme décrite dans la présente, doivent être limités aux renseignements sur l'utilisation du logiciel par le Titulaire de la licence conformément aux conditions applicables de la licence ou à preuve du contraire.

4.3 Sous réserve des autres conditions ci-inclues, et en étant entièrement responsable de toutes les actions ou omissions d'un tel consultant, le Titulaire de la licence peut autoriser un consultant à utiliser le logiciel uniquement dans le cadre professionnel au nom du Titulaire de la licence et dans le but autorisé et à condition que le logiciel ne soit pas utilisé à

Contrat de licence logicielle IAR

d'autres fins ou par un tiers.

4.4 À chaque manquement du Titulaire de la licence aux termes des présentes, une pénalité contractuelle d'un montant de 200 % pour les violations en vertu des sections 3.2, 3.3, 3.4, 3.5, 3.6, 3.11, 4.1 ou 4.3 et de 1 000 % pour les violations en vertu de la section 3.8 sur les frais de licence applicables par rapport à la facture correspondante doit être payée à IAR Systems par le Titulaire de la licence. Au cas où la somme des dommages réels subis par IAR Systems en raison de la violation est supérieure à ce montant, le solde doit être payé par le Titulaire de la licence. Voir aussi Section 3.8.

5. CONFIDENTIALITÉ

5.1 Le Titulaire de la licence accepte que tout le matériel et les informations relatives au logiciel soient disponibles pour un usage exclusivement dans le cadre et conformément au présent Contrat. À tout moment, que ce soit pendant ou après l'annulation ou la résiliation de ce Contrat, il est interdit au Titulaire de la licence de divulguer ces documents et/ou informations relatives au logiciel, que ce soit directement ou indirectement, à un tiers sans l'accord préalable par écrit de IAR Systems. Le Titulaire de la licence est tenu d'exonérer IAR Systems de toute responsabilité relativement aux pertes, coûts, dommages et dépenses émanant de ou en rapport avec l'incapacité du Titulaire de la licence de se conformer aux exigences du présent article 5. Le Titulaire de la licence a des obligations de confidentialité en vertu des présentes et il doit les honorer même après l'annulation ou la résiliation de ce Contrat pour quelque raison que ce soit.

6. MODALITÉS ET CONDITIONS DE PAIEMENT

6.1 En contrepartie des droits accordés et des services rendus par IAR Systems aux termes de ce Contrat, le Titulaire de la licence doit payer les frais de licence pour le logiciel comme indiqué sur la facture. Les paiements doivent être effectués selon l'échéancier indiqué dans la facture, ou dans le cas contraire, les factures sont payables dans les 30 jours suivant leur date d'émission.

6.2 Si le Titulaire de la licence ne parvient pas à effectuer le paiement dans les délais prescrits, IAR Systems ou les distributeurs IAR doivent être autorisés à : a) prélever des frais d'intérêt après la date d'échéance, suivant le taux indiqué dans la facture, ou dans le cas contraire, suivant le taux de référence établi par la banque centrale de Suède (Riksbank) +8 %; b) reporter l'exécution de leurs propres obligations jusqu'à ce que le paiement soit effectué; et/ou c) résilier le Contrat par notification écrite au Titulaire de la licence et recouvrir un dédommagement pour toutes les pertes encourues auprès de ce dernier.

6.3 Tous les prix sont hors frais et taxes, et le Titulaire de la licence est responsable de tous les frais et taxes, y compris les droits de douane, les frais d'importation, la vente, l'utilisation, les retenues fiscales, le revenu brut, et les taxes similaires, dus et frais estimés ou facturés en rapport avec la fourniture de biens et de services dans le cadre du présent Contrat.

7. GARANTIE LIMITÉE

7.1 IAR Systems garantit que le support sur lequel le logiciel est enregistré sera livré au Titulaire de la licence libre de tout défaut de matériel et de main-d'œuvre en utilisation normale pour une période de quatre-vingt-dix (90) jours à partir de la date de livraison au Titulaire de la licence. Au cours de cette période de garantie, IAR Systems, après réception du support, peut, à sa discrétion, décider de réparer ou de remplacer gratuitement le support défectueux sur lequel le logiciel a été fourni et d'enregistrer une copie du logiciel sur le support réparé ou sur un support de remplacement. Ladite réparation ou ledit remplacement doit être le recours ultime du Titulaire de la licence sous la garantie du support. Nonobstant ce qui précède, IAR Systems ne peut être tenu responsable de la réparation ou du remplacement d'un support, qui, d'après IAR Systems, a été endommagé par le Titulaire de la licence par accident, par mauvais traitement ou par tentative infructueuse de maintenance.

7.2 IAR Systems ne garantit pas que le logiciel réponde aux exigences du Titulaire de la licence ou que le fonctionnement du logiciel sera ininterrompu et sans erreur. Le Titulaire de la licence est seul responsable des résultats attendus du logiciel ou des résultats réellement obtenus.

7.3 La garantie ci-dessus ne concerne pas les conditions résultant d'une mauvaise utilisation, les causes externes, y compris le service ou les modifications qui n'ont pas été effectués par IAR Systems ou un contractuel nommé par IAR Systems, ou le fonctionnement en dehors des paramètres spécifiés du milieu environnant. IAR Systems ne sera pas tenu responsable du fonctionnement du logiciel en dehors de l'équipement hôte spécifié dans la facture et conjointement avec l'environnement d'exploitation spécifié pour chaque version du logiciel. Des écarts mineurs de la garantie ci-dessus, qui seraient de peu d'importance par rapport à l'utilisation prévue du logiciel et qui ne causent pas plus de désagrément mineur pour le Titulaire de la licence, ne doivent pas être considérés comme une violation de la garantie explicitée ci-dessus.

7.4 LA GARANTIE CI-DESSUS EST LA SEULE GARANTIE IAR SYSTEMS EXISTANTE POUR CE LOGICIEL ET POUR CE CONTRAT. DE PLUS, SOUS RÉSERVE DES DISPOSITIONS PRÉVUES DANS CE CONTRAT, AUCUNE AUTRE GARANTIE OU CONDITION EXPRESSE OU IMPLICITE N'EST APPLICABLE, ET LE TITULAIRE DE LA LICENCE NE FERA AUCUNE AUTRE RÉCLAMATION IMPUTABLE À LA PERFORMANCE OU L'ABSENCE DE PERFORMANCE DU LOGICIEL. IAR SYSTEMS EXCLUT EXPRESSÉMENT TOUTE AUTRE GARANTIE, REPRÉSENTATION OU TOUT AUTRE ENGAGEMENT, EXPRESS, IMPLICITE OU STATUTAIRE, INCLUANT, MAIS SANS S'Y LIMITER À TOUTE GARANTIE IMPLICITE DE QUALITÉ MARCHANDE OU D'ADAPTATION À UN USAGE PARTICULIER, DE CAPACITÉ À ATTEINDRE UN RÉSULTAT PARTICULIER OU DE TOUTE AUTRE OBLIGATION DE GARANTIE DE LA PART DE IAR SYSTEMS.

7.5 IAR Systems décline expressément toute responsabilité pour tout matériel informatique ou toute solution logicielle incluant, sans s'y limiter, les configurations réseau, qui pourraient avoir une influence sur le fonctionnement du logiciel.

7.6 Les dispositions de l'article 7 survivront l'annulation ou la résiliation de ce Contrat.

8. VIOLATION DE LA PROPRIÉTÉ INTELLECTUELLE

8.1 IAR Systems intentera une action en justice contre le Titulaire de la licence comme stipulé dans la section 8.2 et sous

Contrat de licence logicielle IAR

réserve de toutes les limitations qui y sont mentionnées, pour toute allégation que le logiciel, tel qu'il existe à la date de la facture, viole un brevet ou des droits d'auteur dûment publiés d'après les lois du pays dans lequel IAR Systems ou le Titulaire de la licence se trouvent.

8.2 IAR Systems doit, de la manière indiquée ci-dessous, en tant que seule solution, traiter une demande de réclamation d'un tiers alléguant que le logiciel porte atteinte à des droits de propriété intellectuelle de cette partie, à condition que IAR Systems soit prévenu à temps d'une telle réclamation et reçoive des informations, une aide raisonnable et l'autorité exclusive pour défendre ou régler la réclamation. IAR Systems peut décider, à sa discrétion, d'obtenir le droit pour le Titulaire de la licence de continuer à utiliser le produit IAR qui enfreint la loi, de le remplacer ou de le modifier jusqu'à ce qu'il soit conforme à la loi en vigueur. Si son remplacement ou sa modification n'est pas raisonnablement disponible, IAR Systems peut résilier le présent Contrat et rembourser les frais payés par le Titulaire de la licence à IAR Systems pour le produit IAR concerné.

8.3 IAR Systems ne doit pas être tenu responsable si la présumée infraction provient d'une utilisation non autorisée du logiciel, après livraison, de modifications non effectuées par IAR Systems, ou de la combinaison avec d'autres produits ou appareils non fournis par IAR Systems. **LES OBLIGATIONS STIPULÉES DANS LA PRÉSENTE SECTION REPRÉSENTENT LES SEULES RESPONSABILITÉS DE IAR SYSTEMS ET LE RECOURS UNIQUE POUR LE TITULAIRE DE LA LICENCE CONTRE LES VIOLATIONS DE BREVETS OU DE DROITS D'AUTEUR. POUR ÉCARTER TOUTE CONFUSION : LA RESPONSABILITÉ DE IAR SYSTEMS EN VERTU DE LA SECTION 8 NE DOIT PAS EXCÉDER LES FRAIS DE LICENCE PAYÉS PAR LE TITULAIRE DE LA LICENCE.**

9. FORCE MAJEURE

9.1 Les parties ne sont pas tenues de remplir les obligations de ce Contrat si leurs actions sont bloquées ou retardées par un conflit du travail ou toute autre cause hors de leur contrôle, incluant, mais ne se limitant pas à des émeutes, inondations, guerres, hostilités guerrières, incendies, embargo, manque de main-d'œuvre, d'électricité, de carburant, de moyens de transport, ou manque ordinaire d'autres produits de première nécessité. Une partie qui entend demander réparation en vertu du présent article doit informer l'autre partie sans délai, par écrit, de l'intervention et de la cessation d'une telle circonstance.

10. LIMITATION DE RESPONSABILITÉ

10.1 L'UTILISATION DU LOGICIEL ET TOUTES LES CONSÉQUENCES EN RÉSULTANT SONT LES SEULES RESPONSABILITÉS DU TITULAIRE DE LA LICENCE. IAR SYSTEMS NE PEUT ÊTRE TENU RESPONSABLE ENVERS LE TITULAIRE DE LA LICENCE DE TOUTE PERTE OU DOMMAGE OCCASIONNÉS DIRECTEMENT OU INDIRECTEMENT PAR LE LOGICIEL, L'UTILISATION DU LOGICIEL OU AUTRE.

10.2 LA RESPONSABILITÉ DE IAR SYSTEMS ENVERS LE TITULAIRE DE LA LICENCE EN VERTU DE CE CONTRAT DOIT ÊTRE LIMITÉE À CINQUANTE (50) POUR CENT DES FRAIS DE LICENCE POUR LE LOGICIEL, PAYÉS PAR LE TITULAIRE DE LA LICENCE AUX TERMES DES PRÉSENTES, SOUS RÉSERVE QUE, SI LES CONDITIONS STIPULÉES DANS LA SECTION 8 S'APPLIQUENT, LA RESPONSABILITÉ TOTALE DE IAR SYSTEMS AUX TERMES DES PRÉSENTES NE DOIT PAS DÉPASSER 100 % DES FRAIS DE LICENCE PAYÉS PAR LE TITULAIRE DE LA LICENCE POUR UN TEL LOGICIEL.

10.3 IAR SYSTEMS NE SERA EN AUCUN CAS RESPONSABLE ENVERS LE TITULAIRE DU PRÉSENT CONTRAT POUR DES DOMMAGES PARTICULIERS, INDIRECTS, ACCESSOIRES OU INDIRECTS EN VERTU DE TOUTE DOCTRINE JURIDIQUE, TELLE QUE LA PERTE DE DONNÉES, D'UTILISATION ET/OU DE PROFITS, L'INTERRUPTION DE TRAVAIL OU LES FRAIS DE PÉRIODE D'INACTIVITÉ ET LES DÉPENSES D'INVESTISSEMENT OU DE RÉCLAMATION D'UN TIERS, QUE CE SOIT À CAUSE DE DÉFAUTS, DU FONCTIONNEMENT, DU NON-FONCTIONNEMENT, DE DÉLAIS, DE DOMMAGES CORPORELS, DE DOMMAGES MATÉRIELS, OU AUTRE, QUE IAR SYSTEMS AIT ÉTÉ PRÉVENU OU NON DE LA POSSIBILITÉ DE TELS DOMMAGES.

10.4 AUCUNE CLAUSE DE CE CONTRAT NE DOIT EXCLURE OU LIMITER LA RESPONSABILITÉ DE IAR SYSTEMS POUR CAUSE DE DÉCÈS OU DOMMAGE CORPOREL RÉSULTANT DE SA NÉGLIGENCE.

10.5 Les dispositions de l'article 10 survivront l'annulation ou la résiliation de ce Contrat.

11. DROITS DE TIERS

11.1 L'IAR Embedded Workbench for Eclipse comprend des outils Eclipse. La licence ne s'applique pas à ces outils Eclipse et ceux-ci ne sont pas inclus dans le terme « logiciel » sous ce Contrat. Vous acceptez de respecter toutes les conditions générales qui vous sont imposées à l'égard de ces outils Eclipse.

11.1.1 Les supports Eclipse sont autorisés en vertu d'Eclipse Public License (EPL), Version 1.0, dont une copie est fournie avec les outils Eclipse. Cette licence est aussi disponible à l'adresse <http://www.opensource.org/licenses/eclipse-1.0.php>.

11.2 Il se peut qu'IAR Embedded Workbench comprenne un logiciel tiers. Le logiciel tiers est également soumis à des conditions générales supplémentaires régissant ce type de logiciel tiers, en sus des conditions de la présente Licence. Ces conditions supplémentaires s'ajoutent à celles de la présente Licence et doivent remplacer toutes conditions incohérentes ou contradictoires de la présente Licence en ce qui concerne le logiciel tiers. Si le produit que le Titulaire de la licence reçoit aux termes des présentes contient un logiciel tiers, le Titulaire de la licence accepte de respecter les conditions générales imposées par le logiciel tiers.

11.2.1 Le logiciel tiers est soumis aux conditions supplémentaires de chaque partie tierce et une copie de ces conditions supplémentaires est disponible à l'adresse <http://www.iar.com/en/products/software-licenses>.

12. CONVENTION DE SOUTIEN ET DE MISE À JOUR (SUPPORT AND UPDATE AGREEMENT OU SUA)

12.1 Excepté ce qui est spécifié dans la section 12.2 et/ou dans la section 7 de ce Contrat, ledit Contrat ne donne aucun droit au Titulaire de la licence d'améliorer, de modifier, d'ajouter ou de mettre à jour le logiciel, ou d'exercer tout autre service d'aide en rapport avec le Logiciel.

Contrat de licence logicielle IAR

12.2 Dans la mesure où la licence attribuée comprend un abonnement de service et de mise à jour limité dans le temps, le Titulaire de la licence est autorisé à utiliser les services définis dans la convention de soutien et de mise à jour (« SUA ») ci-joint. Au cas où la licence attribuée n'inclut pas d'abonnement de service ou de mise à jour, ou au cas où ces services ont expiré, le Titulaire de la licence peut, suivant le type de licence attribuée, prolonger ces services, moyennant des frais supplémentaires.

12.3 L'utilisation d'améliorations, de modifications, d'ajouts ou de mises à jour reçus par le Titulaire de la licence dans le cadre de la convention de soutien et de mise à jour (SUA) ou reçus en vertu de la section 7 du présent Contrat, est régie par les conditions générales contenues dans la présente.

13. RÉSILIATION DU CONTRAT

13.1 IAR Systems a le droit de résilier ce Contrat et la résiliation prend effet immédiatement si le Titulaire de la licence est en violation des conditions stipulées dans le présent Contrat, incluant, mais ne se limitant pas à (a) l'utilisation du logiciel d'une manière autre que celle présentée sous les droits attribués dans l'article 3 et 4, (b) la violation des dispositions de confidentialité de l'article 5, ou (c) l'incapacité du Titulaire de la licence à payer les sommes dues, conformément à l'article 6.

13.2 Ce Contrat prendra fin immédiatement sans préavis si le Titulaire de la licence interrompt ses paiements, fait faillite, devient insolvable, entre en liquidation ou se trouve dans une situation où il peut être considéré comme insolvable.

13.3 Lors de la résiliation de ce Contrat par IAR Systems, comme stipulé dans cet article, IAR Systems a le droit, s'il choisit de le faire, en plus de tous ses autres droits en vertu des présentes et en plus des autres recours s'offrant à IAR Systems en vertu de la Loi, d'exiger par écrit du Titulaire de la licence de rendre ou de détruire toutes les versions du logiciel et sa documentation ainsi que toute documentation s'y rapportant et consignée sur tout support et sous toute forme en possession du Titulaire de la licence. Le Titulaire de la licence devra confirmer par écrit à IAR Systems que tous les supports se rapportant au logiciel et à son fonctionnement ont été rendus à IAR Systems ou détruits. Les dispositions de la section 13.3 survivront l'annulation ou la résiliation de ce Contrat.

14. RÉGLEMENTATIONS SUR LE CONTRÔLE DES EXPORTATIONS

14.1 Le logiciel et sa documentation sont soumis à des réglementations sur l'importation ou l'exportation en vigueur dans différents pays, y compris les réglementations américaines de l'United States Export Administration Act. Par les présentes, le Titulaire de la licence accepte de ne pas (a) exporter ni réexporter en connaissance de cause, que ce soit de manière directe ou indirecte, tout produit ou donnée technique, et tout produit contrôlé soumis à des réglementations nationales en vigueur, y compris les logiciels reçus de IAR Systems en vertu de ce Contrat. Il accepte en outre de ne pas (b) divulguer ces données techniques et de ne pas (c) exporter ni réexporter, de manière directe ou indirecte, tout produit émanant directement de ces données techniques et tout autre produit contrôlé, y compris les logiciels, vers des pays où une telle exportation ou réexportation est restreinte ou interdite par la législation des États-Unis ou par la législation non américaine en vigueur, sans avoir obtenu l'accord préalable écrit de IAR Systems.

15. DIVERS

15.1 Le Contrat ne peut en aucun cas être cédé ni transféré en intégralité ou en partie par une des parties prenantes sans l'accord préalable écrit de l'autre partie. Ce nonobstant, IAR Systems est habilité à céder tout ou partie du présent Contrat à une entreprise du groupe IAR Systems, et IAR Systems est en droit de céder le présent Contrat sans pénalités et sans porter préjudice aux droits que lui confère cet accord, et sans l'accord écrit préalable du Titulaire de la licence dans l'éventualité d'une fusion, d'une réorganisation similaire ou de la vente d'une grande partie des actifs de IAR Systems.

15.2 Aucune modification et aucun amendement de cet accord ne seront valides à moins d'être effectués par écrit et signés par les parties aux présentes.

15.3 Toute notification et toute communication faites en vertu du présent Contrat devront être effectuées par écrit, à la main, par fax (et confirmées par courrier aérien), ou par courrier aérien postal rapide prépayé certifié ou recommandé adressé aux parties aux adresses mentionnées dans la facture (ou à toute autre adresse donnée par une des parties en notifiant l'autre partie par écrit).

15.4 Le présent Contrat contient l'accord intégral formé entre les parties sur l'objet qui le concerne, et il annule et remplace tout autre Contrat ou accord, qu'il soit écrit ou oral, existant ou ayant existé entre les parties sur l'objet des présentes.

15.5 Ce Contrat est régi et interprété en vertu du champ de compétence des tribunaux du pays dans lequel IAR Systems est constituée. Tout litige concernant ce Contrat, son interprétation ou sa validité et tout autre litige fondé sur ce dernier seront soumis à l'arbitrage des tribunaux du pays où IAR Systems est constituée.

15.6 Les dispositions de l'article 15 survivront l'annulation ou la résiliation de ce Contrat.

Ce document contient des notifications et/ou des termes et conditions supplémentaires concernant des logiciels de parties tierces inclus dans le logiciel **IAR Embedded Workbench d'IAR Systems**. Ces notifications et/ou termes et conditions supplémentaires font partie intégrante du Contrat de licence du logiciel IAR et y sont incorporés par renvoi.

Contrat de licence logicielle IAR

1. Composants internes utilisés dans IAR Embedded Workbench

Logiciel tiers	Notification/termes
SCINTILLA	<p>Licence pour Scintilla et SciTE Droits d'auteur 1998-2002 détenus par Neil Hodgson. Tous droits réservés. Les présentes donnent le droit d'utiliser, de copier, de modifier et de distribuer ce logiciel et sa documentation à toutes fins et sans frais à condition que la notification de droits d'auteur ci-dessus soit mentionnée dans tous les exemplaires et que la notification de droits d'auteur et cette notification d'autorisation figurent dans la documentation annexe.</p> <p>NEIL HODGSON DÉCLINE TOUTE GARANTIE CONCERNANT CE LOGICIEL, Y COMPRIS TOUTES LES GARANTIES IMPLICITES DE VALEUR COMMERCIALE ET D'ADÉQUATION À UN USAGE PARTICULIER. NEIL HODGSON NE PEUT EN AUCUN CAS ÊTRE TENU POUR RESPONSABLE DES DOMMAGES SPÉCIAUX, INDIRECTS OU CONSÉCUTIFS ET DE TOUT AUTRE DOMMAGE RÉSULTANT DE LA PERTE D'UTILISATION, DE LA PERTE DE DONNÉES OU DE PROFITS, QUE CE SOIT DANS LE CADRE D'UNE ACTION EN RESPONSABILITÉ CONTRACTUELLE, D'UN ACTE DE NÉGLIGENCE OU DE TOUT AUTRE ACTE DÉLICTEUX ÉMANANT DE L'UTILISATION OU DE LA PERFORMANCE DE CE LOGICIEL OU EN CONNEXION AVEC LUI.</p>
IBM ICU	<p>Licence ICU - DROITS D'AUTEUR ET NOTIFICATION D'AUTORISATION POUR ICU 1.8.1 et versions ultérieures Droits d'auteur (c) 1995-2003 International Business Machines Corporation et autres entités Tous droits réservés.</p> <p>Les présentes autorisent toute personne à obtenir gratuitement un exemplaire de ce logiciel et des fichiers de documentation annexes (le « logiciel »), à utiliser le logiciel sans restriction, y compris, sans s'y limiter, le droit d'utiliser, de copier, de modifier, de fusionner, de publier, de distribuer et/ou de vendre des exemplaires du logiciel et d'autoriser les personnes à qui est fourni le logiciel de faire de même à condition que la/les notification(s) de droits d'auteur ci-dessus et cette notification d'autorisation figurent dans tous les exemplaires du logiciel et que la/les notification(s) de droits d'auteur ci-dessus ainsi que cette notification d'autorisation figurent dans la documentation annexe.</p> <p>LE LOGICIEL EST FOURNI « TEL QUEL », SANS GARANTIE D'AUCUNE SORTE, QU'ELLE SOIT EXPRESSE OU IMPLICITE, Y COMPRIS MAIS SANS S'Y LIMITER, LES GARANTIES DE QUALITÉ MARCHANDE, D'ADÉQUATION À UN USAGE PARTICULIER ET DE NON-VIOLATION DES DROITS DE TIERS. LE OU LES DÉTENTEUR(S) DE DROITS D'AUTEUR INCLUS DANS CETTE NOTIFICATION NE POURRA/POURRONT EN AUCUN CAS ÊTRE TENU(S) POUR RESPONSABLE(S) DES RÉCLAMATIONS, DES DOMMAGES SPÉCIAUX INDIRECTS OU CONSÉCUTIFS, NI DES DOMMAGES DE QUELQUE SORTE RÉSULTANT DE LA PERTE DE L'UTILISATION, DE LA PERTE DE DONNÉES OU DE PROFITS, QUE CE SOIT DANS UNE ACTION EN RESPONSABILITÉ CONTRACTUELLE, UN ACTE DE NÉGLIGENCE OU TOUT AUTRE ACTE DÉLICTEUX ÉMANANT DE L'UTILISATION OU DE LA PERFORMANCE DE CE LOGICIEL OU EN CONNEXION AVEC LUI.</p> <p>Hormis sa mention dans cette notification, le nom du détenteur des droits d'auteur ne saurait être utilisé pour faire la publicité ni pour promouvoir de quelque façon que ce soit la vente, l'utilisation ou toute autre activité de ce logiciel sans autorisation écrite préalable du détenteur des droits d'auteur. Toutes les marques commerciales et les marques déposées contenues dans les présentes appartiennent à leurs propriétaires respectifs.</p>

Contrat de licence logicielle IAR

Apache	<p>Licence du logiciel Apache, Version 1.1 Droits d'auteur (c) 1999-2003 The Apache Software Foundation. Tous droits réservés. Il est permis de redistribuer et d'utiliser ce produit dans ses formes source et binaire, avec ou sans modifications, à condition de remplir les conditions suivantes :</p> <ol style="list-style-type: none">1. La redistribution du code source doit mentionner la notification des droits d'auteur ci-dessus, cette liste de conditions ainsi que la clause de non-responsabilité suivante.2. La redistribution sous forme binaire doit reproduire la notification des droits d'auteur ci-dessus, cette liste de conditions ainsi que la clause de non-responsabilité suivante dans la documentation et/ou les autres supports fournis dans le cadre de la distribution.3. La documentation destinée à l'utilisateur final incluse dans le cadre de la redistribution, le cas échéant, doit comporter la mention suivante : « Ce produit comprend un logiciel développé par Apache Software Foundation (http://www.apache.org/). » Cette mention peut également figurer dans le logiciel proprement dit si et là où de telles mentions des produits de parties tierces sont normalement mentionnées.4. Les noms « Xerces » et « Apache Software Foundation » ne peuvent être utilisés pour approuver ou promouvoir les produits émanant de ce logiciel sans autorisation écrite préalable. Pour obtenir une autorisation écrite, merci d'envoyer un message à apache@apache.org.5. Les produits dérivés de ce logiciel ne peuvent être appelés « Apache » et le nom « Apache » ne peut figurer dans leur nom sans l'autorisation écrite préalable de Apache Software Foundation. <p>CE LOGICIEL EST FOURNI « TEL QUEL » ET ON DÉCLINE TOUTE GARANTIE EXPRESSE OU IMPLICITE, Y COMPRIS, MAIS SANS S'Y LIMITER, LA GARANTIE IMPLICITE DE VALEUR COMMERCIALE ET D'ADÉQUATION À UN USAGE PARTICULIER. APACHE SOFTWARE FOUNDATION ET SES COLLABORATEURS NE POURRONT EN AUCUN CAS ÊTRE TENUS POUR RESPONSABLES DES DOMMAGES DIRECTS, INDIRECTS, ACCESSOIRES, SPÉCIAUX, EXEMPLAIRES OU CONSÉCUTIFS (Y COMPRIS, MAIS SANS S'Y LIMITER, LA FOURNITURE DE PRODUITS OU DE SERVICES DE REMPLACEMENT, LA PERTE DE L'UTILISATION, LA PERTE DE DONNÉES OU DE PROFITS ET L'INTERRUPTION DE TRAVAIL), QUELLE QU'EN SOIT LA CAUSE, ET SUR QUELQUE MOTIF QUE CE SOIT, QUE CE SOIT DANS UNE ACTION EN RESPONSABILITÉ CONTRACTUELLE, UNE ACTION EN RESPONSABILITÉ OBJECTIVE, UN DÉLIT CIVIL (Y COMPRIS CELUI DE NÉGLIGENCE OU TOUT AUTRE MOTIF) ÉMANANT DE L'UTILISATION DE CE LOGICIEL, MÊME SI DE TELS DOMMAGES SONT SIGNALÉS COMME POSSIBLES.</p> <p>Ce logiciel est le fruit de contributions volontaires provenant de nombreuses personnes œuvrant pour Apache Software Foundation et se fonde sur les droits d'auteur relatifs aux logiciels (c) 1999, International Business Machines, Inc., http://www.ibm.com. Pour en savoir plus sur Apache Software Foundation, veuillez vous rendre sur http://www.apache.org/</p>
LLVM	<p>Licence LLVM University of Illinois/NCSA. Licence à code source libre. Droits d'auteur (c) 2003-2011 University of Illinois at Urbana-Champaign. Tous droits réservés. Développé par : LLVM Team University of Illinois at Urbana-Champaign. http://llvm.org Les présentes autorisent toute personne à obtenir gratuitement un exemplaire de ce logiciel et des fichiers de documentation annexes (le « Logiciel »), à utiliser le logiciel sans restriction, y compris, sans s'y limiter, le droit d'utiliser, de copier, de modifier, de fusionner, de publier, de distribuer, d'accorder des sous-licences et/ou de vendre des exemplaires du logiciel et d'autoriser les personnes à qui est fourni le logiciel de faire de même à condition de remplir les conditions suivantes :</p> <p>*La redistribution du code source doit mentionner la notification des droits d'auteur ci-dessus, cette liste de conditions ainsi que la clause de non-responsabilité suivante. *La redistribution sous forme binaire doit reproduire la notification des droits d'auteur ci-dessus, cette liste de conditions ainsi que la clause de non-responsabilité suivante dans la documentation et/ou les autres supports fournis dans le cadre de la distribution. *Les noms de l'équipe de LLVM, de University of Illinois at Urbana-Champaign ainsi que ceux de leurs contributeurs ne peuvent être utilisés pour approuver ou promouvoir des produits dérivés de ce logiciel sans autorisation écrite préalable.</p> <p>LE LOGICIEL EST FOURNI « TEL QUEL », SANS GARANTIE D'AUCUNE SORTE, QU'ELLE SOIT EXPRESSE OU IMPLICITE, Y COMPRIS MAIS SANS S'Y LIMITER, LES GARANTIES DE QUALITÉ MARCHANDE, D'ADÉQUATION À UN USAGE PARTICULIER ET DE NON-VIOLATION DES DROITS DE TIERS. LES CONTRIBUTEURS OU LES DÉTENTEURS DE DROITS D'AUTEUR NE POURRONT EN AUCUN CAS ÊTRE TENUS POUR RESPONSABLES DES RÉCLAMATIONS, DES DOMMAGES NI DES OBLIGATIONS, QUE CE SOIT DANS UNE ACTION EN RESPONSABILITÉ CONTRACTUELLE, UN DÉLIT CIVIL OU AUTRE ÉMANANT DE L'UTILISATION DE CE LOGICIEL OU EN CONNEXION AVEC LUI OU LIÉ À UN TOUT AUTRE USAGE DE CE DERNIER.</p>

Contrat de licence logicielle IAR

Bibliothèques Boost C++	<p>Licence du logiciel Boost - Version 1.0 - 17 août 2003</p> <p>Les présentes autorisent toute personne à obtenir gratuitement un exemplaire de ce logiciel et des fichiers de documentation annexes (le « Logiciel »), à utiliser le logiciel sans restriction, y compris, sans s'y limiter, le droit d'utiliser, de copier, de modifier, de fusionner, de publier, de distribuer, d'accorder des sous-licences et/ou de vendre des exemplaires du logiciel et d'autoriser les personnes à qui est fourni le logiciel de faire de même à condition de remplir les conditions suivantes : les notifications des droits d'auteur du logiciel et l'intégralité de cette déclaration, dont l'octroi de licence ci-dessus, cette restriction et la clause de non-responsabilité suivante doivent être inclus dans tous les exemplaires du logiciel, en intégralité ou en partie, et tous les produits dérivés du logiciel, sauf si ces exemplaires ou produits dérivés se trouvent uniquement sous la forme exécutable du code objet générée par un processeur de langage source.</p> <p>LE LOGICIEL EST FOURNI « TEL QUEL », SANS GARANTIE D'AUCUNE SORTE, QU'ELLE SOIT EXPRESSE OU IMPLICITE, Y COMPRIS MAIS SANS S'Y LIMITER, LES GARANTIES DE QUALITÉ MARCHANDE, D'ADÉQUATION À UN USAGE PARTICULIER ET DE NON-VIOLATION DES DROITS DE TIERS. LES DÉTENTEURS DE DROITS D'AUTEUR ET LES PERSONNES DISTRIBUANT LE LOGICIEL NE POURRONT EN AUCUN CAS ÊTRE TENUS POUR RESPONSABLES DES DOMMAGES NI DES AUTRES OBLIGATIONS, QUE CE SOIT DANS UNE ACTION EN RESPONSABILITÉ CONTRACTUELLE, UN DÉLIT CIVIL OU AUTRE ÉMANANT DE L'UTILISATION DE CE LOGICIEL OU EN CONNEXION AVEC LUI OU LIÉ À UN TOUT AUTRE USAGE DE CE DERNIER.</p>
Protocol Buffers	<p>Protocol Buffers - format d'interface de données Google</p> <p>Droits d'auteur 2008 Google Inc. Tous droits réservés. http://code.google.com/p/protobuf/</p> <p>Il est permis de redistribuer et d'utiliser ce produit dans ses formes source et binaire, avec ou sans modifications, à condition de remplir les conditions suivantes :</p> <p>*La redistribution du code source doit mentionner la notification des droits d'auteur ci-dessus, cette liste de conditions ainsi que la clause de non-responsabilité suivante. *La redistribution sous forme binaire doit reproduire la notification des droits d'auteur ci-dessus, cette liste de conditions ainsi que la clause de non-responsabilité suivante dans la documentation et/ou les autres supports fournis dans le cadre de la distribution. *Le nom de Google Inc. et les noms de ses collaborateurs ne peuvent être utilisés pour approuver ou promouvoir des produits dérivés de ce logiciel sans autorisation expresse écrite préalable.</p> <p>CE LOGICIEL EST FOURNI « TEL QUEL » ET ON DÉCLINE TOUTE GARANTIE EXPRESSE OU IMPLICITE, Y COMPRIS, MAIS SANS S'Y LIMITER, LA GARANTIE IMPLICITE DE VALEUR COMMERCIALE ET D'ADÉQUATION À UN USAGE PARTICULIER. APACHE SOFTWARE FOUNDATION ET SES CONTRIBUTEURS NE POURRONT EN AUCUN CAS ÊTRE TENUS POUR RESPONSABLES DES DOMMAGES DIRECTS, INDIRECTS, ACCESSOIRES, SPÉCIAUX, EXEMPLAIRES OU CONSÉCUTIFS (Y COMPRIS, MAIS SANS S'Y LIMITER, LA FOURNITURE DE PRODUITS OU DE SERVICES DE REMPLACEMENT, LA PERTE DE L'UTILISATION, LA PERTE DE DONNÉES OU DE PROFITS ET L'INTERRUPTION DE TRAVAIL), QUELLE QU'EN SOIT LA CAUSE, ET SUR QUELQUE MOTIF QUE CE SOIT, QUE CE SOIT DANS UNE ACTION EN RESPONSABILITÉ CONTRACTUELLE, UNE ACTION EN RESPONSABILITÉ OBJECTIVE, UN DÉLIT CIVIL (Y COMPRIS CELUI DE NÉGLIGENCE OU TOUT AUTRE MOTIF) ÉMANANT DE L'UTILISATION DE CE LOGICIEL, MÊME SI DE TELS DOMMAGES SONT SIGNALÉS COMME POSSIBLES.</p>

2. Composants potentiellement utilisés dans les applications clientes

Logiciel tiers	Notification/termes
dmalloc	Version de malloc/free/realloc (aka dmalloc) écrite par Doug Lea et placée dans le domaine public, comme cela est expliqué à l'adresse http://creativecommons.org/publicdomain/zero/1.0/ .

Contrat de licence logicielle IAR

Dinkum C++ Library	<p>Sous licence Dinkum Abridged/C Library</p> <p>Définition : le terme « Source sous licence » se rapporte au code source de Dinkum Abridged Library, au code source de Dinkum C Library et Dinkum Abridged Library Reference ou à une version ultérieure des mêmes produits. Une sous-licence est fournie uniquement en conjonction avec les produits IAR C/EC++/C++ Cross Compiler détenus par IAR Systems AB et pour l'utilisation de ces derniers. Le détenteur de la sous-licence fournira à Dinkumware Ltd (le « Concédant ») les protections suivantes:</p> <p>(a) Propriété de Plauger a. Le détenteur de la sous-licence reconnaît et accepte ce qui suit : *Le titre et les droits de propriété relatifs à la source sous licence et tous les exemplaires de tous les produits ou d'une partie d'entre eux sont et restent la propriété de Plauger. *Le détenteur de la sous-licence s'engage à ne pas prêter, vendre, louer, hypothéquer et à ne pas se débarrasser de la source sous licence. *Tous les exemplaires de la source sous licence ou partie d'entre eux, sous quelque forme que ce soit, y compris, mais sans s'y limiter, les formes perçues par l'œil humain (directement, par agrandissement ou traduction) ou par le traitement de données ou d'autres équipements, sont détenus entièrement et exclusivement par Plauger, comme décrit ci-dessus. *Le concédant a déclaré que la source sous licence était susceptible de contenir des secrets commerciaux et des informations exclusives, qu'une partie ou non de cette source soit soumise aux droits d'auteur ou brevetée. b. Le détenteur de la sous-licence accepte de préserver inchangées toutes les notifications de droits d'auteur dans tous les exemplaires de la source sous licence. c. Le concédant reconnaît et accepte que le détenteur de la sous-licence n'est pas obligé de fournir ni de révéler au concédant les modifications qu'il a effectuées sur la source sous licence. Il reconnaît et accepte que le détenteur de la sous-licence détient et possède des droits de marketing exclusifs sur ces modifications non divulguées. d. Le détenteur de la sous-licence reconnaît et accepte que les modifications effectuées par le détenteur de la sous-licence sur la source sous licence et qu'il divulgue au concédant deviennent la propriété de Plauger sauf indication écrite contraire du détenteur de la sous-licence pendant ou avant la divulgation (« Modifications divulguées »). Les modifications divulguées effectuées sur la source Licensed Library Source deviennent la propriété de Plauger. Par les présentes, le détenteur de la sous-licence attribue à Plauger tous les droits, titres et intérêts relatifs à ces modifications divulguées et les droits d'auteur et tous les autres droits relatifs aux modifications divulguées. (b) Licence. a. Par les présentes, le concédant octroie au détenteur de la sous-licence une licence personnelle, non exclusive et non transférable pour utiliser ou modifier la source sous licence pour ses propres motifs commerciaux internes seulement en conjonction avec les produits IAR C/EC++/C++ Cross Compiler détenus par IAR Systems. b. Nonobstant ce qui précède, le détenteur de la sous-licence est habilité à faire un nombre limité d'exemplaires de la source sous licence dans la seule mesure où cela est raisonnablement nécessaire pour exercer ses droits vis-à-vis de cette sous-licence. Le détenteur de la sous-licence reconnaît qu'il n'a pas le droit de vendre, d'attribuer, d'émettre des sous-licences, de louer ni de transférer ou de permettre à des tiers d'utiliser ou d'exécuter la source sous licence ou partie d'entre elle, ni de modifier et d'améliorer la source sous licence, ni aucun code objet émanant de la source sous licence. c. Le détenteur de la sous-licence accepte de respecter l'ensemble des lois, réglementations, jugements et décrets en vigueur aux États-Unis concernant l'exportation et la réexportation de la source sous licence. En outre, il accepte de se conformer à toutes les législations étrangères en vigueur pour protéger ou préserver les droits d'auteur, secrets commerciaux et droits exclusifs du concédant relatifs à la source sous licence. Le détenteur de la sous-licence accepte de ne pas expédier et de ne pas dérouter en connaissance de cause la source sous licence vers des pays n'ayant pas ratifié la Convention de Berne ni la Convention universelle sur le droit d'auteur sans avoir obtenu l'autorisation écrite préalable du concédant. (c) Garantie et clause de non-responsabilité. a. Le Titulaire de la licence certifie qu'au moment de la livraison, la source sous licence est en bon état de fonctionnement et conforme aux normes dans tous ses aspects essentiels. b. Le Titulaire de la licence déclare et certifie qu'à sa connaissance, la source sous licence n'est pas créée en totalité ou en partie en violation d'un secret commercial protégé d'un tiers et que la source sous licence n'enfreint pas de brevet ni de droit d'auteur américains.</p> <p>c. LES GARANTIES LIMITÉES PRÉCÉDENTES CONSTITUENT LES SEULES GARANTIES DU CONCÉDANT AU DÉTENTEUR DE LA SOUS-LICENCE ET TIENNENT LIEU DE GARANTIE UNIQUE, EXPRESSE OU IMPLICITE, MAIS SANS S'Y LIMITER, CONCERNANT LA GARANTIE IMPLICITE DE VALEUR COMMERCIALE ET D'ADÉQUATION À UN USAGE PARTICULIER.</p> <p>(d) Limite de responsabilité. a. Le concédant ne sera en aucun cas responsable vis-à-vis du détenteur de la sous-licence pour la perte de profits, les dommages accessoires, spéciaux, exemplaires, punitifs, indirects ou consécutifs, même si le Titulaire de la licence sait ou a été informé de la possibilité de tels dommages, de réclamations contre le détenteur de la sous-licence de la part d'une personne physique ou morale ou de dommages engendrés par l'incapacité du détenteur de la sous-licence à assumer ses responsabilités.</p>
-------------------------------	---

Freescale MQX RTOS 4.0.2

Mises à jour : 2013-02-15

IMPORTANT : Veuillez lire dans son intégralité le Contrat de licence du logiciel Freescale Semiconductor (« le Contrat »). En sélectionnant le bouton « I Accept » (J'accepte) ci-dessous, vous acceptez les termes de ce Contrat. Vous pouvez alors procéder à l'installation du logiciel.

CONTRAT DE LICENCE DU LOGICIEL FREESCALE SEMICONDUCTOR

Ceci est un accord juridique entre vous (soit en tant que personne physique, soit en tant que représentant de votre employeur) et Freescale Semiconductor, Inc. (« Freescale »). Cet accord traite de vos droits concernant l'utilisation de ce fichier et tout support écrit l'accompagnant (le « logiciel »). En contrepartie de l'autorisation accordée par Freescale d'accéder au logiciel, vous acceptez de respecter les termes de ce Contrat. Si vous n'acceptez pas l'intégralité des termes du Contrat, ne téléchargez pas le logiciel. Si vous changez d'avis ultérieurement, cessez d'utiliser le logiciel et effacez tous les exemplaires du logiciel en votre possession ou sous votre contrôle. Tout exemplaire du logiciel que vous avez déjà distribué, lorsque cela est permis, et que vous ne détruisez pas, continuera d'être régi par ce Contrat. Votre utilisation antérieure continuera également à être régie par ce Contrat.

OCTROI DE LICENCE. Exclusivement en conjonction avec le développement et la vente, par le Titulaire de la licence, d'un produit contenant une unité de traitement programmable (par exemple, un microprocesseur, un microcontrôleur ou un processeur de signal numérique) fourni directement ou indirectement par Freescale (« Freescale System ») et listé comme « Sous-produits » sur le site Web Freescale MQX (www.freescale.com/mqx), Freescale vous octroie gracieusement le droit non exclusif et non transférable (1) d'utiliser le logiciel, (2) de reproduire le logiciel, (3) de préparer des produits dérivés à partir du logiciel, (4) de distribuer le logiciel et les produits dérivés en émanant sous forme de code objet (lisible à la machine) dans le cadre de Freescale System et (5) d'émettre des sous-licences à des tiers pour leur donner le droit d'utiliser le logiciel distribué tel qu'il est inclus dans le Freescale System. Vous devez interdire à vos sous-Titulaires de la licence de traduire, d'effectuer une ingénierie inverse, de décompiler ou de désassembler le logiciel sauf si la législation en vigueur interdit une telle restriction. Si vous enfreignez un ou plusieurs des termes ou des restrictions de ce Contrat, Freescale est en droit de le résilier immédiatement et d'exiger que vous arrêtiez d'utiliser et que vous effaciez tous les exemplaires du logiciel en votre possession ou sous votre contrôle.

DROIT D'AUTEUR. Le logiciel ne vous est pas vendu mais fourni sous licence. Freescale est propriétaire du logiciel et ce dernier est protégé par les lois des États-Unis et les dispositions correspondantes des traités internationaux sur les droits d'auteur. Par conséquent, vous devez considérer le logiciel comme tout autre document protégé par des droits d'auteur (ex. : livre ou enregistrement musical). Vous n'avez pas le droit d'utiliser ni de dupliquer le logiciel à des fins autres que celles décrites dans le Contrat. Sauf s'ils sont expressément fournis dans les présentes, Freescale ne vous octroie aucun droit exprès ni implicite en vertu de brevets, de droits d'auteur, de marques déposées ou de secrets commerciaux détenus par Freescale ou des parties tierces. En outre, vous devez reproduire et appliquer les notifications relatives aux droits d'auteur et aux autres droits exclusifs inclus ou incorporés dans le logiciel dans les exemplaires ou produits dérivés en émanant, en partie ou en totalité, le cas échéant.

SUPPORT. Freescale N'EST PAS dans l'obligation de vous fournir un support, des mises à jour, ni de nouvelles versions du logiciel. Si vous le souhaitez, vous pouvez communiquer avec Escale pour faire état de problèmes rencontrés et faire des suggestions sur le logiciel. Freescale n'est absolument pas tenu de réagir de quelque manière que ce soit à de tels problèmes rencontrés ou à de telles suggestions. Freescale est susceptible de modifier le logiciel à tout moment et n'est pas tenu de vous en avertir ni de vous fournir des versions mises à jour du logiciel.

AUCUNE GARANTIE. DANS LES LIMITES PERMISES PAR LA LOI, FREESCALE REJETTE EXPRESSÉMENT TOUTE GARANTIE CONCERNANT LE LOGICIEL. LE LOGICIEL EST FOURNI « TEL QUEL », SANS GARANTIE D'AUCUNE SORTE, QU'ELLE SOIT EXPRESSE OU IMPLICITE, Y COMPRIS MAIS SANS S'Y LIMITER, LES GARANTIES DE QUALITÉ MARCHANDE, D'ADÉQUATION À UN USAGE PARTICULIER ET DE NON-VIOLATION DES DROITS DE TIERS. VOUS ASSUMEZ L'INTÉGRALITÉ DES RISQUES PROVENANT DE L'UTILISATION OU DE LA PERFORMANCE DES LOGICIELS ET DE TOUS LES SYSTÈMES DE VOTRE CONCEPTION ÉMANANT DE L'UTILISATION DU LOGICIEL (LE CAS ÉCHÉANT). AUCUNE DISPOSITION DE CE CONTRAT NE PEUT ÊTRE INTERPRÉTÉE COMME UNE GARANTIE NI UNE DÉCLARATION, PAR FREESCALE, QUE LE LOGICIEL OU TOUT PRODUIT DÉRIVÉ DÉVELOPPÉ AVEC LE LOGICIEL OU INCORPORANT LE LOGICIEL EST EXEMPT DE VIOLATIONS DES DROITS SUR LA PROPRIÉTÉ INTELLECTUELLE DE PARTIES TIERCES.

INDEMNISATION. Vous acceptez de défendre et d'indemniser Freescale pleinement pour les réclamations, obligations et coûts (y compris les frais raisonnables d'avocat) relatifs à (1) votre utilisation (et l'utilisation de vos sous-Titulaires de la licence, si cela est permis) du logiciel et (2) votre violation des termes et conditions de ce Contrat.

LIMITATION DE RESPONSABILITÉ. FREESCALE NE POURRA EN AUCUN CAS ÊTRE TENU COMME RESPONSABLE DANS LE CADRE D'UNE ACTION CONTRACTUELLE, D'UN DÉLIT CIVIL OU POUR TOUT AUTRE MOTIF, DES DOMMAGES ACCESSOIRES, SPÉCIAUX, INDIRECTS, CONSÉCUTIFS OU PUNITIFS (Y COMPRIS, MAIS SANS S'Y LIMITER, LES DOMMAGES POUR LA

PERTE DE L'UTILISATION, LA PERTE DE TEMPS, LE DÉSAGRÈMENT, LA PERTE COMMERCIALE, LA PERTE DE PROFITS, D'ÉCONOMIES OU DE REVENUS, DANS LES LIMITES PERMISES PAR LA LOI.

CONFORMITÉ AUX LOIS, RESTRICTIONS RELATIVES À L'EXPORTATION. Vous devez utiliser le logiciel en conformité avec les lois, réglementations et statuts en vigueur aux États-Unis. Vos Titulaires de la licence (le cas échéant) et vous-même certifiez n'avoir pas l'intention ni la volonté d'exporter ni de transférer directement ou indirectement le logiciel vers des pays violant les restrictions d'exportation des États-Unis.

UTILISATION GOUVERNEMENTALE. L'utilisation du logiciel et de toute documentation annexe, le cas échéant, est fournie avec des DROITS LIMITÉS. L'utilisation, la duplication ou la divulgation par le gouvernement est soumise à des restrictions comme indiqué dans le sous-paragraphe (c)(1)(ii) de la clause Rights in Technical Data and Computer Software de DFARS 252.227-7013 ou dans les sous-paragraphe (c)(1) et (2) de Commercial Computer Software - Restricted Rights 48 CFR 52.227-19, si applicable. Le fabricant est Freescale Semiconductor, Inc., 6501 William Cannon Drive West, Austin, TX, 78735.

ACTIVITÉS À HAUT RISQUE. Vous reconnaissez que le logiciel n'est pas tolérant aux pannes et qu'il n'est pas conçu, fabriqué ni prévu par Freescale pour être incorporé à des produits devant être utilisés ou revendus pour des équipements de contrôle en ligne dans des environnements hasardeux, dangereux et potentiellement mortels requérant une performance sans fautes, comme le fonctionnement des sites nucléaires, les systèmes de navigation ou de communication des avions, le contrôle aérien, les appareils médicaux de maintien en vie ou les systèmes d'armement, pour lesquels la panne des produits est susceptible d'entraîner la mort, des blessures corporelles ou des dommages physiques ou environnementaux très importants (« Activités à haut risque »). Vous déclarez et garantisiez en particulier que vous n'utiliserez pas le logiciel ni des produits dérivés du logiciel pour effectuer des activités à haut risque.

CHOIX DE LA LÉGISLATION ET DU LIEU DE JURIDICTION ET LIMITES. Sans égard aux principes de conflit des lois, vous acceptez que les statuts et lois des États-Unis et de l'État du Texas, aux États-Unis, s'appliquent à tous les sujets se rapportant à ce Contrat ou à ce logiciel, et vous acceptez que tout litige soit soumis à la juridiction exclusive des tribunaux étatiques ou fédéraux du Texas, aux États-Unis. Indépendamment de tout statut ou de toute loi prévoyant le contraire, vous acceptez que toute réclamation et tout motif d'action émanant de ce Contrat ou logiciel ou lié à ces derniers soient mis en œuvre dans l'intervalle d'une (1) année après l'apparition de cette réclamation ou motif d'action sans quoi ils seront prescrits à jamais.

ÉTIQUETAGE DU PRODUIT. Vous n'êtes pas autorisé à utiliser les marques déposées, les noms de marque, ni les logos Freescale.

INTÉGRALITÉ DU CONTRAT. Ce Contrat constitue l'intégralité de l'accord passé entre vous et Freescale concernant le sujet du Contrat et remplace l'ensemble des communications, négociations, ententes, accords et propositions, qu'ils soient écrits ou oraux, le cas échéant. Ce Contrat peut uniquement être modifié par écrit et exécuté par vous et Freescale.

DIVISIBILITÉ. Si une disposition quelconque de ce Contrat est considérée pour quelque raison que ce soit comme non valide ou non applicable, les dispositions restantes de ce Contrat ne seront pas affectées. À moins qu'une modification ou qu'un remplacement de la disposition non valide ou non applicable ne soit également considéré comme pouvant priver Freescale ou vous-même d'un avantage important, auquel cas le Contrat prendra fin immédiatement, la disposition non valide ou non applicable sera remplacée par une disposition valide et applicable se rapprochant le plus possible de l'intention sous-jacente de la disposition non valide ou non applicable.

AUCUNE RENONCIATION. La renonciation de Freescale à tout manquement relatif à une disposition quelconque de ce Contrat n'est pas considérée comme une renonciation s'appliquant à une autre disposition ou à un manquement ultérieur de la même ou d'une autre disposition.

Limited Warranty Statement

Rev. May 15, 2015

This product is warranted to be free from defects in workmanship, materials, and components for a period of one year from date of purchase. All parts and labor required to repair defective products covered under the warranty will be at no charge. The following restrictions apply:

1. The limited warranty applies to the original purchaser only.
2. The warranty applies to the product in normal usage situations only, as described in the Operating Manual. The product must be serviced and maintained as specified.
3. If the product fails, it will be repaired or replaced at the option of the manufacturer.
4. Transportation charges for warranty service will be reimbursed by the factory upon verification of the warranty claim and submission of a freight bill for normal ground service. Approval from the manufacturer must be obtained prior to shipping to an authorized service center.
5. Warranty service claims are subject to authorized inspection for product defect(s).
6. The manufacturer shall not be responsible for any additional costs associated with a product failure including, but not limited to, loss of work time, loss of refrigerant, cross-contamination of refrigerant, and unauthorized shipping and/or labor charges.
7. All warranty service claims must be made within the specified warranty period. Proof-of-purchase date must be supplied to the manufacturer.
8. Use of recovery/recycling equipment with unauthorized refrigerants or sealants will void warranty.
 - Authorized refrigerants are listed on the equipment or are available through the Technical Service Department.
 - The manufacturer prohibits the use of the recovery/recycling equipment on air conditioning (A/C) systems containing leak sealants, either of a seal-swelling or aerobic nature.

This Limited Warranty does NOT apply if:

- The product, or product part, is broken by accident.
- The product is misused, tampered with, or modified.
- The product is used for recovering or recycling any substance other than the specified refrigerant type. This includes, but is not limited to, materials and chemicals used to seal leaks in A/C systems.

Declaración de garantía limitada

Revisión del 15 de mayo de 2015

Se garantiza que este producto no posee defectos de mano de obra, materiales y componentes por el período de un año a partir de la fecha de compra. Todas las partes y mano de obra requerida para reparar los productos con defecto cubiertos bajo la garantía no tendrán costo. Aplican las siguientes restricciones:

1. La garantía limitada aplica al comprador original únicamente.
2. La garantía aplica al producto en situaciones de uso normal únicamente, como lo indica el Manual de funcionamiento. Al producto se le debe dar servicio y mantenimiento como se especifica.
3. Si falla el producto, se debe reparar o reemplazar a discreción del fabricante.
4. Los cargos de transporte de servicio de garantía serán reembolsados por la fábrica al verificar el reclamo de garantía y presentar una boleta de flete por servicio terrestre regular. Se debe obtener la aprobación del fabricante antes de hacer el envío a un centro de servicio autorizado.
5. Los reclamos de servicio de garantía están sujetos a inspección de defectos del producto.
6. El fabricante no será responsable de los costos adicionales relacionados con fallas en el producto, que incluyen pero no se limitan a, tiempo improductivo, pérdida de refrigerante, contaminación de refrigerante y envío no autorizado o cargos por mano de obra.
7. Todo reclamo de servicio de garantía se debe hacer dentro del periodo de garantía establecido. Se debe proporcionar la fecha de la prueba de compra al fabricante.
8. El uso de equipo de recuperación/reciclaje con refrigerantes o selladores no autorizados anula la garantía.
 - Los refrigerantes autorizados se indican en el equipo o están disponibles a través del Departamento de servicio técnico.
 - El fabricante prohíbe el uso de equipo de recuperación/reciclaje en sistemas de aire acondicionado (A/C) con fugas de sellador, ya sea porque un sello se infla o es de naturaleza aeróbica.

Esta garantía limitada NO aplica si:

- El producto, o parte de éste, se rompe accidentalmente.
- El producto se usa incorrectamente, se adultera o modifica.
- El producto se usa para recuperar o reciclar cualquier sustancia que sea diferente al tipo de refrigerante establecido. Esto incluye, pero no se limita a materiales y productos químicos utilizados para sellar fugas en sistemas de A/C.

Énoncé de la garantie limitée

Révisée le 15 er mai 2015

Ce produit est couvert contre les défauts de matériau, de fabrication et de composant pendant un ans à compter de la date d'achat. Toutes les pièces et la main-d'œuvre nécessaires aux réparations sous garantie sont sans frais. Toutefois, les restrictions suivantes s'appliquent :

1. La garantie limitée s'applique uniquement à l'acheteur initial.
2. La garantie s'applique uniquement au produit utilisé dans des conditions de fonctionnement normales conformément au manuel d'utilisation. Il doit être réparé et entretenu conformément aux spécifications.
3. Si le produit subit une défaillance, il sera réparé ou remplacé à la discrétion du fabricant.
4. Les frais de transport pour les réparations sous garantie sont remboursés par l'usine après l'évaluation de la réclamation au titre de la garantie et après la soumission d'une facture de transport terrestre standard. L'approbation du fabricant est requise avant l'expédition du produit à un atelier de réparation autorisé.
5. Les réclamations au titre de la garantie sont sujettes à l'inspection du produit défectueux par un personnel autorisé.
6. Le fabricant ne peut être tenu responsable pour tout coût supplémentaire lié à la défaillance du produit incluant, sans toutefois s'y limiter, les interruptions de fonctionnement, la perte de liquide frigorigène, la contamination des liquides frigorigènes et l'expédition et/ou les frais de main-d'œuvre soumis par des ateliers non autorisés.
7. Toute réclamation pour des réparations au titre de la garantie doit être soumise durant la période de garantie. Une preuve d'achat doit être fournie au fabricant.
8. L'utilisation d'un appareil de récupération et de recyclage avec du liquide frigorigène ou des scellants non spécifiés annule la garantie.
 - Les liquides frigorigènes autorisés sont indiqués sur l'appareil, ou ils peuvent être obtenus auprès du Service technique.
 - Le fabricant interdit l'utilisation d'un appareil de récupération et de recyclage dans les systèmes de climatisation contenant des colmatants pour fuites, que ce soient des scellants à dilatation ou aérobiques.

Cette garantie limitée NE s'applique PAS si le produit :

- ou une partie du produit a été endommagé par un accident.
- a été utilisé de façon inadéquate, ou qu'il a été altéré ou modifié.
- est utilisé pour la récupération et le recyclage de substances autres que le type de liquide frigorigène spécifié. Ces substances comprennent, sans toutefois s'y limiter, les matériaux et les produits chimiques utilisés pour colmater les fuites des systèmes de climatisation.

ROBINAIR

655 Eisenhower Drive
Owatonna, MN 55060 USA
Technical Services: 1-800-822-5561
Fax: 1-866-259-1241
Customer Service: 1-800-533-6127
Fax: 1-800-322-2890

www.robinair.com