

Tyre diameter
700 - 2.160 mm
28 - 85"

Lift capacity
1.000 kg
2.200 lbs

Ideal for:
Farmers / AGRO Workshops / OEM
Tyre Manufacturers / Retreaders
Tyre Distributors / Dealers
Tyre Service
Ports

Easy
Gripper
2160

Save
time
Improve
safety



Professional tools for handling of AGRO tyres and small OTR

- Unique 3-point grip
- Precise rotation +/-25°
- 90° tilt, horizontal to vertical
- Integrated camera system for optimal view
- Prevent damage to tyres, rims & equipment
- Tools for safe handling of tyre rings
- Easy hook on/off attachment



Experts in Tyre Handling Equipment



Easy Gripper

The Easy Gripper product range is designed to help tyre professionals in a multitude of conditions and situations. Implementing The Easy Gripper makes tyre handling faster and safer, while preventing damage to tyres, rims and equipment.

Capability

With a gripping range of Ø700 - 2.160 mm (28 - 85") and a lifting capacity of 1 ton (2.200 lbs) at a CoG of 500 mm (20"), this Gripper is developed to handle AGRO and light OTR tyres. On request the gripping diameter can be extended to Ø2.400 mm (94") to handle even the biggest AGRO tyres.



Manufacturers / dealers

Stack, store, load, unload and perform internal transportation with a safe grip of the tyres – and with no damage or deformation.

Agriculture

Load and unload tyres and wheels – vertical and horizontal. Mount and demount tyres and wheels – quick, safe, as a one-man operation and with no damages of rims and equipment.



Ports

This Gripper is big enough to handle tyres and wheels on Straddle Carriers and some Reach Stackers. Grips the tyres with improved safety, and narrow space around tyres and fenders is no problem.

Breakdown service

Used on front loaders, telehandlers or truck cranes you get a perfect solution to provide tyre service in the field. You can do the job without any equipment or assistance from your customer, do it faster and make a hard and risky work safe for your operators.



Forklifts



The Easy Gripper 2160 with the 90° tilt module, is ideal for use on forklifts.

Front loaders and telehandlers



The Easy Gripper 2160 Compact without the tilt module is a good choice on front loaders and telehandlers, if the carrier can provide sufficient tilt.

Truck cranes



By use of our Crane Module the Easy Gripper 2160 Compact also fit with almost any truck crane system.



Standard features

Unique and safe 3-point grip

Avoid accidents.
Avoid deformation of tyres.
Avoid damages to tyres, rims and equipment.

Integrated camera system for optimal view

With automatic IR function in insufficient light conditions.

Precise rotation +/-25°

90° tilt, horizontal to vertical

Quick Shift Module

The Quick Shift Module is a standard and integrated part of the Easy Gripper. It is mounted on the forklift, and the Easy Gripper is then hooked on to this module. Makes hook on/off easy.

Optional accessories

Fork Module

The Fork Module is designed to be hooked on to the Quick Shift Module, and makes quick shift between Gripper and forks easy.

Hydraulic Quick Shift

Shift between Gripper and forks in less than half a minute.

Easy shift of gripping pipes for various purposes

Flat top arm for limited tyre clearance.
Telescopic pipes for long reach, to provide room for the tyre fitters and for dual tyre handling.

Tools for safe handling of tyre rings

To help tyre fitters with the hard and dangerous work.
Can easily be attached at the end of the gripping pipes.
Can push the tyre and can hold and place the rings.

Customization on request



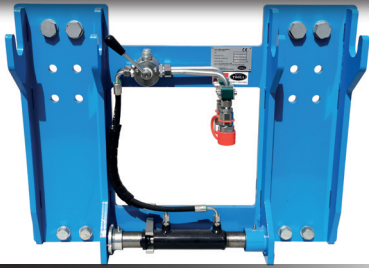
Integrated camera system for optimal view



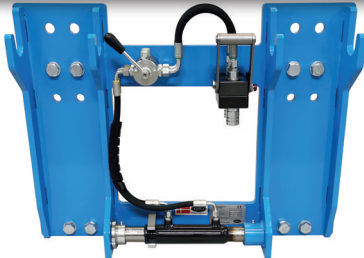
Flexible tool for tyre service



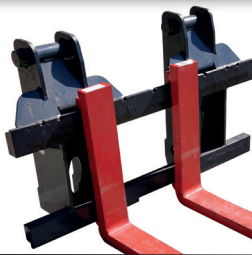
Tools for safe handling of tyre rings



Quick Shift Module - screw coupling



Quick Shift Module - hydraulic multi connection



Fork Module



Telescopic pipes for long reach

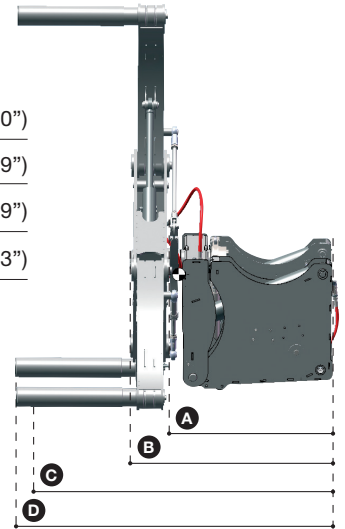


Flat top arm for limited tyre clearance

Technical Specifications

Weight:	550 kg (1.212 lbs)
Lifting capacity:	1.000 kg (2.200 lbs)
Tyre diameter:	700 - 2.160 mm (27 - 85")
Standard pipes:	Ø89 x 600 mm (3,5 x 24")
Telescopic pipes:	Ø100 x 600 -> 875 mm (3,9 x 24 -> 34")
Attachment:	ISO/FEM/ITA Class 2 or 3 / Loader specific

- A** CoG Gripper = 750 mm (30")
- B** Rear of Load = 1.000 mm (39")
- C** CoG Load = 1.500 mm (59")
- D** Length = 1.600 mm (63")



Technical Requirements of forklift or loader

Lifting capacity:	Individual calculation
Electrical supply:	12/24 V / min 10A
Hydraulic:	1 double acting hydraulic valve
Pressure min-max:	150 - 250 bar (2.175 - 3.626 psi)
Return pressure:	max. 10 bar (145 psi)
Flow:	max. 50 l/min. (13 gal/min.)

Authorized Dealer



+45 72 344 344
 info@justeasytools.dk
 www.justeasytools.com
 VAT no.: DK33644809

Just Easy Tools ApS
 Nupark 51
 DK-7500 Holstebro
 Denmark